



VAPOR TIGHT STRIP (VTS) *U.S. PATENT NO. 10,054,296

Linmore LED Labs Vapor Tight Strip Fixtures (VTS) are a powerful connection of an IP65 Rated Enclosure and Linmore LED's powerful URS Light Bars delivering 130 lumens/watt. The patented URS Light Bar is comprised of the highest efficacy LEDs mechanically bonded to an extruded aluminum light bar with a 94% transmissive diffuser providing glare reduction and even distribution. The amount of light and the consistent distribution of light per watt of energy consumed is unmatched by any other vapor tight fixture. When the objective is to utilize a Vapor Tight fixture with the least amount of energy, the least amount of maintenance, best warranty, and designed for decades of effective life, the Linmore Vapor Tight Strip is the clear choice.

HIGHLIGHTS

Efficacy:

- >145 Lumens per Watt
- Only High Quality LEDs used to ensure maximum light output and longevity
- Lowest Watts per Foot Candles Available

Construction:

- IP 65 rated Enclosure
- Clear Acrylic Lens, Impact Resistant
- URS™ Light Bars
(*Covered under U.S. Patent No. 10,054,296)
- LED Driver Enclosure
- Stainless Steel Hardware
- No Glass

Thermal Dissipation:

- The URS heat sink extrusion is made of 6063 T5 Aluminum with substantial fins & surface area for superior heat dissipation
- Patented Air Flow Cavity
- Interior PCB Board is mechanically bonded to the aluminum extrusion heat sink



Specifications

Suitability	Washdown and Wet locations IP65	Lens	Clear
Warranty	10 Years Light Bars / 5 Years Driver	Color Rendering Index (CRI)	80
Expected Life	>102,000 L90	Color Temperature	3500K , 4100K, 5000K
Driver	Dimmable 0-10V, comes with 12V output compatible with most wireless controls.	Extrusion Material	6063 T5 Aluminum
System Input Wattage (driver dependent)	26W, 30W, 36W, 44W, 60W, 72W, 88W	Operating Temperature	-40F to +140F
Efficacy (3500K)	>145 Lumens Per Watt	Power Factor	0.99
Voltage	100-277V 347/480 Optional	Certifications	UL1598, FCC CFR 47, Part 15, ROHS, CUL (Canada), NSF

Ordering Information

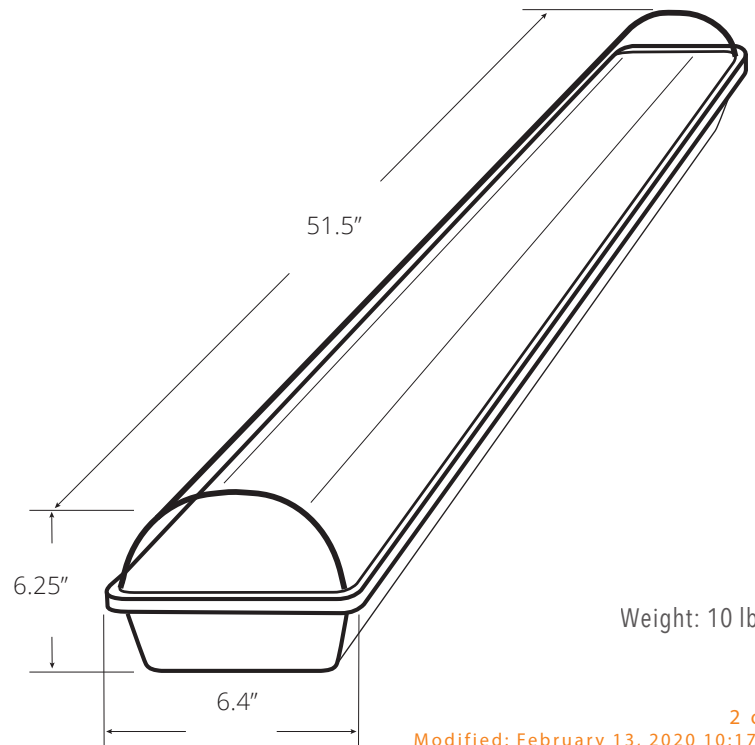
Model	Length in Feet	Kelvin	Number of Bars	Wattage	Lens	SO Cord Length	Options
LL-VTS	4	3500K (45K)	1	26	Clear (C)	3	SEN Sensor
	8	4100K (41K)	2	30	Ribbed (R)		HB Hanging Ball
		5000K (50K)		36			BB Backup Battery
				44			
				60			
				72			
				88			

Example

LL-VTS-8-XXK-2-60W-C-3

Lumen Chart

Wattage	Lumens
26	3770
30	4350
36	5040
44	6160
60	8400
72	9300
88	11350



Specifications are Subject to Change.