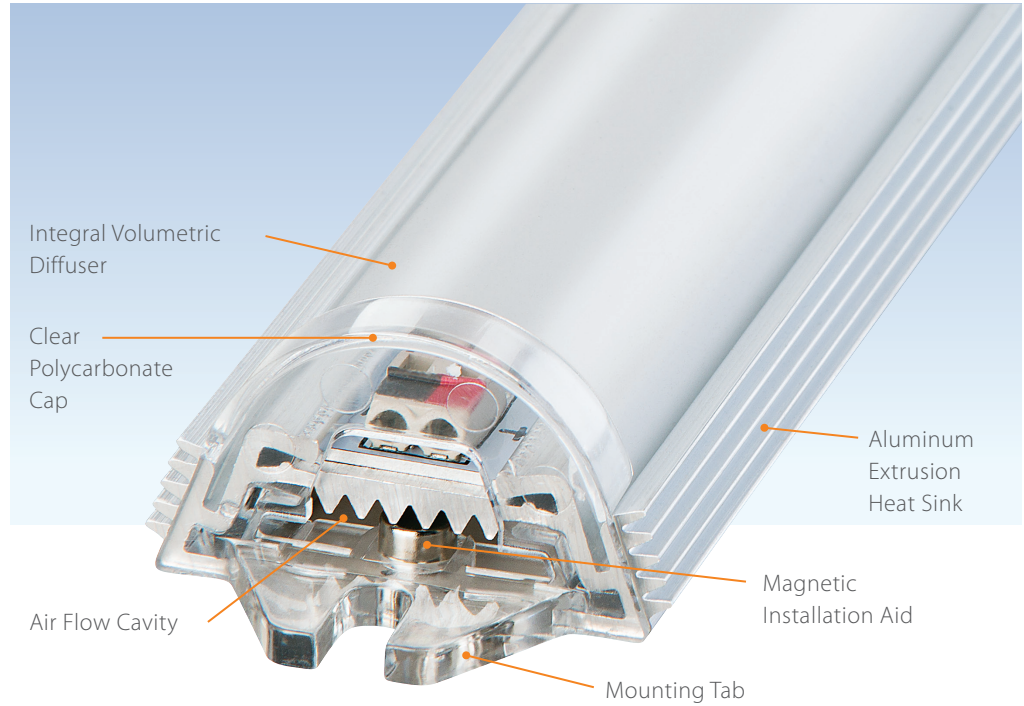




LED UNIVERSAL RETROFIT SYSTEM (URS) *U.S. PATENT NO. 10,054,296

Linmore LED Labs Universal Retrofit System (URS) is the ultimate retrofit system for a variety of linear fluorescent light fixtures. Each URS is comprised of a patented aluminum extrusion, a high-efficacy set of LEDs, and an external dimmable driver. The URS is offered in two nominal lengths, 2' & 4', to retrofit the most popular installed housing. When the objective is to extend the useful life of installed fixtures while upgrading to LED with a robust, complete retrofit system with components that exceed those found in LED Tubes, Linmore's URS is the clear choice.



HIGHLIGHTS

- Efficacy up to 152 Lumens/Watt Delivered
- 0-10 Volt Multi-Channel Dimming External Driver
- URS™ Light Bars (*Covered under U.S. Patent No. 10,054,296)
- Aluminum Heat Sink/Extrusion
- Integral Volumetric Diffuser
- Clear Polycarbonate End Caps
- No Glass
- 240 Degree Light Distribution
- Warranty: 20 Years Light Bar / 10 Years Driver
- No Mercury
- No UV Light
- Maximum output 6204 lumens (44 watts) on a single 4' bar

RELIABILITY ASSURANCE TESTING

- Every URS is vibrated at variable frequencies for 5 minutes
- Every URS & Driver is operated for a 36 hour break in period
- Every URS & Driver is cycled on/off every minute for 36 hours

APPLICATIONS

- Troffers
- Strips
- Case Lighting
- Indirect Lighting
- Vapor Tights
- Low Bays

DLC LISTED CONFIGURATIONS

2' URS Kits

2 Bar Kits: 18, 22, 26 Watts

3 Bar Kits: 22, 26 Watts

4' URS Kits

1 Bar Kits: 15, 18, 22, 26, 36 Watts

2 Bar Kits: 22, 26, 36, 44, 60, 72 Watts

3 Bar Kits: 44 Watts

Efficacy:

- Only top tier performance diodes for ultra-high Lumens/Watt
- Lowest Watts per Foot Candles Available

Thermal Dissipation:

- The heat sink extrusion is made of 6063 T5 Aluminum with substantial fins & surface area for superior heat dissipation
- Patented Air Flow Cavity under LED PCB allows dissipated heat to leave the URS area
- Interior PCB Board is made of aluminum core and mechanically bonded to the aluminum extrusion heat sink

Lens:

- Integral Volumetric Diffuser eliminates glare and evenly distributes light
- Integral Volumetric Diffuser transmits 94% of generated lumens
- Suitable for most food processing applications
- The beam angle is 240 degrees for a wide distribution of light
- Glass Free

Specifications

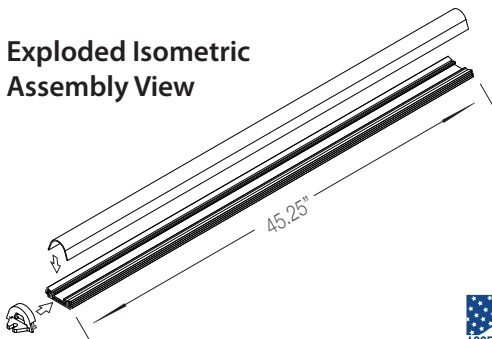
Suitability	T5 or T8 Linear Fluorescent Fixtures
Warranty	20 Years Light Bar / 10 Years Driver
Expected Life	L90 >102,000 hours
Driver	External, 0-10 Volt Dimmable.
Outboard Dimmer Switch (ODIM)	0-10 Volt - Field adjustable dimmer
System Input Wattage (driver dependent)	9-88 Watts
Length	21.25", 45.25" (including cap tab)
Efficacy (3500K)	131-152 Lumens/Watt (+/- 10%)
Voltage	100-277 Volts AC
Beam Angle	240
Integral Volumetric Diffuser	Frosted, 94% Transmission Rate
Color Rendering Index (CRI)	82
Color Temperature	3500K, 4100K or 5000K
Extrusion Material	6063 T5 Aluminum
Operating Temperature	-40F - 140F
Power Factor	0.99
Certifications	UL1598, FCC CFR 47, Part 15, ROHS, CUL (Canada)
Design Lights Consortium	Yes

Model	Length	Number of Bars	Kelvin	Wattage	Lumens
LL-URS-	2NA	1	3500K (35K)	9	1368
	4NA	2	4100K (41K)	12	1824
		3	5000K (50K)	15	2280
		4		18	2736
				22	3344
				26	3848
				30	4440
				36	5220
				44	6204
				60	8400
				72	10080
				88	12320

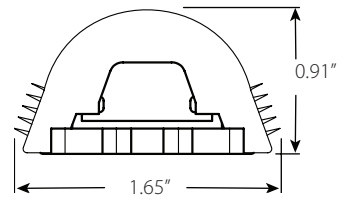
Example

LL-URS- 4NA-4-50K-26

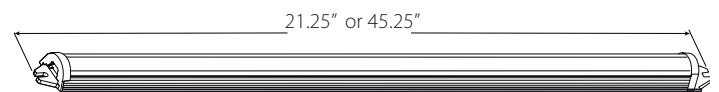
Exploded Isometric Assembly View



Front View



Choices in Length



Weight: <1 lbs.