



# ULTRASW-PIR-AC

## UltraLink Switch with PIR Sensor, AC-Powered



The ULTRASW-PIR-AC is an AC-powered wall switch that communicates wirelessly with other devices supporting the **Bluetooth Low Energy (BLE) radio standard**. This single rocker switch mounts in any standard wall box and features one button for on/off, a toggle for dimming, and a PIR occupancy sensor. Multiple fixtures can be grouped to be controlled by a single switch. It connects to a Bluetooth mesh network and it can be accessed with the UltraLink web portal or iOS app for initial design, setup, and configuration.

### TECHNICAL SPECIFICATIONS

- Construction: White polycarbonate.
- Sensing Technology: Passive infrared (PIR).
- Mounting: Standard switch box.
- Dimensions: 4.11" x 1.72" x 2.76".
- Input Voltage: 120-277 VAC 50/60Hz.
- Max Power Consumption: 1.5W.
- Max Sensor Range: 40' (12.2 m) at 4' (1.2 m) mounting height.
- Operating Temperature Range: 0°C to +55°C (+32°F to +131°F).
- Max Bluetooth Range: 30' (9.1 m) line of sight.  
Range is highly dependent on the integration of fixtures, environment and conditions. It is recommended to conduct testing for range accuracy.

### FEATURES

- LED status indicator.
- 1 button for manual on/off.
- Toggle for dimming.
- PIR occupancy sensor.
- It can be installed in a standard wall box.
- Advanced settings and functionality such as length of time delays, fade time, energy monitoring, and demand response are available with the optional UltraLink Dashboard.
- Suitable for indoor use only.

### LISTINGS

- FCC, UL, UL 924, DLC, Bluetooth Declaration ID: D062134.
- Conforms with DLC NLC5 Cybersecurity Standards.

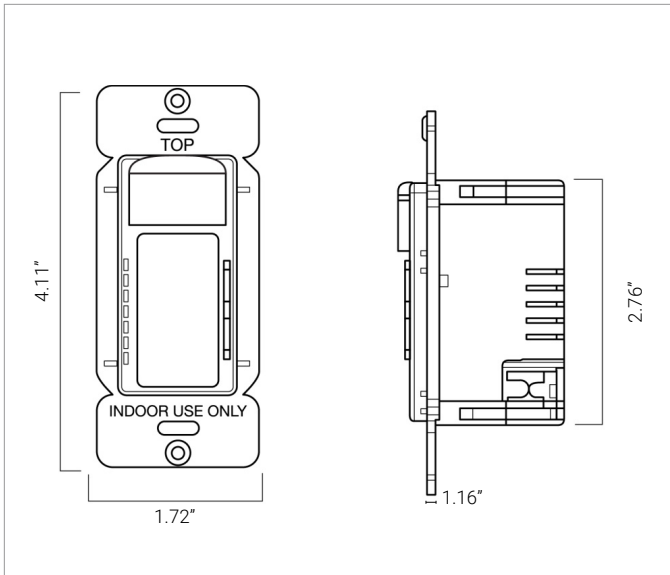


## ORDERING

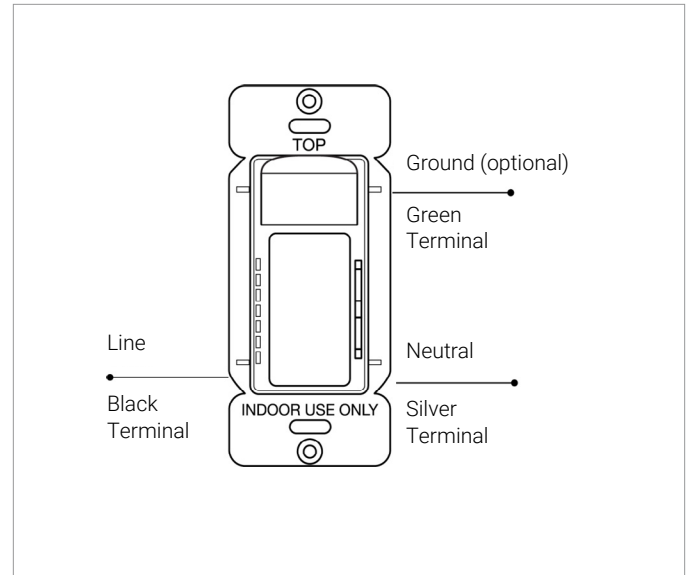
Part Number	Description
<b>ULTRASW-PIR-AC</b>	UltraLink Bluetooth Wireless Wall Switch with PIR Sensor, AC-Powered 120-277V, Single Rocker, On/Off/Dimming.

## DIMENSIONS & DRAWINGS

Dimensions



Wiring Diagram



Manual Control

**BUTTON 1 (ON/OFF)**

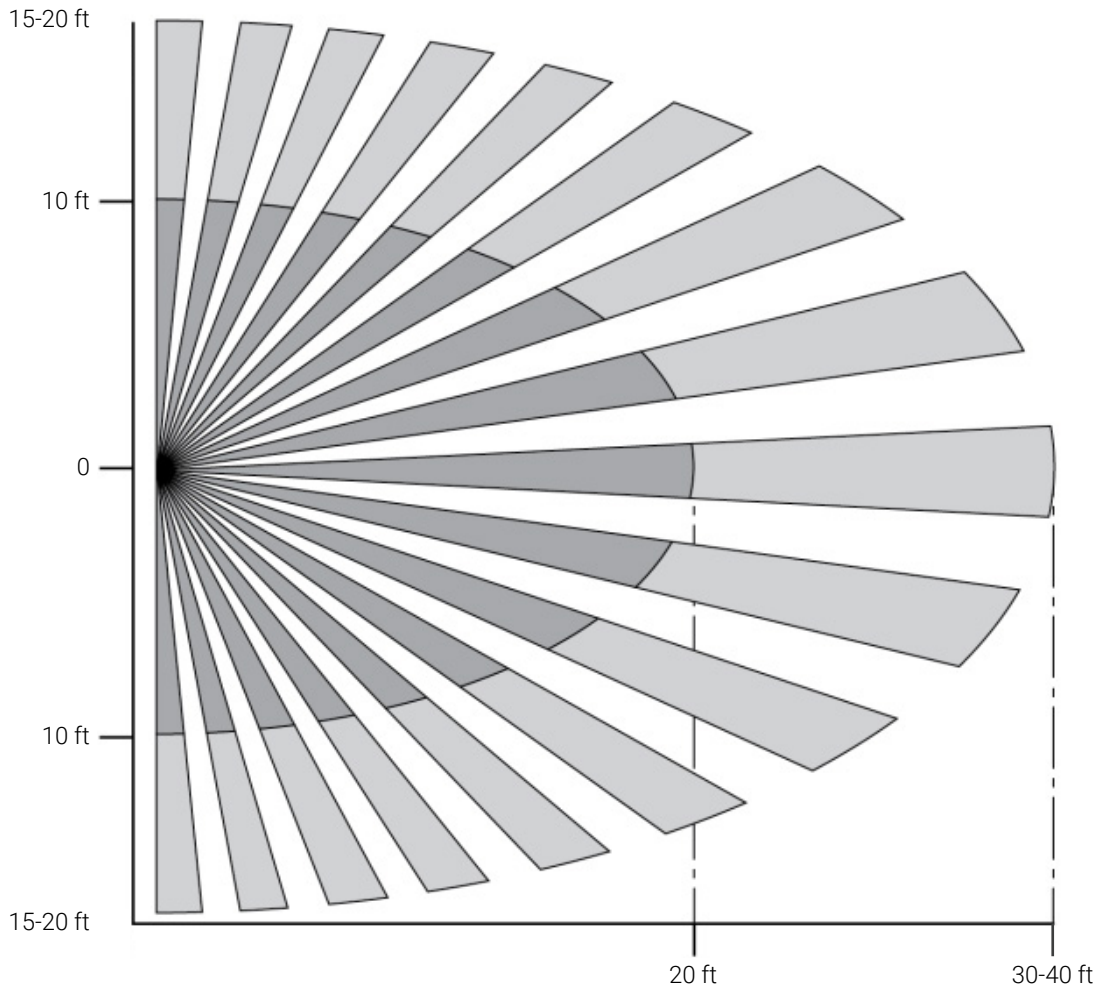
- Short press - OFF
- Short press - AUTO/ON
- Auto: Turns on / resume automatic control for fixtures.

**TOGGLE (DIMMING)**

- Raise - Dim up
- Lower - Dim down

**Factory Reset:** Press and hold Button 1 together with toggle button at top and bottom for 10 seconds.

## SENSOR COVERAGE



Note: The application/absolute range of the sensor is subject to variation because of different types of clothing, backgrounds, and ambient temperature. Therefore, ensure the lens is properly oriented along routes with expected traffic and conduct testing along those routes.

Updated: 2023.07.13

### Linmore LED Labs, Inc.

2360 S Orange Ave, Fresno, CA 93725 | 559 485 6010 | [info@linmoreled.com](mailto:info@linmoreled.com) | [linmoreled.com](http://linmoreled.com)



UltraLink is a brand of Linmore LED. All specifications are subject to change without notice. Please visit [linmoreled.com](http://linmoreled.com) for latest information. All values are typical or design values. Actual performance may differ as a result of end-user environments and applications. Consult Linmore LED with specific inquiries. Copyright © 2023, Linmore LED Labs, Inc. All rights reserved.