



# ULTRASW-AC

## UltraLink Switch, AC-Powered



The ULTRASW-AC is an AC-powered wall switch that communicates wirelessly with other devices supporting the **Bluetooth Low Energy (BLE) radio standard**. This single rocker switch mounts in any standard wall box and features one button for on/off and a toggle for dimming. Multiple fixtures can be grouped to be controlled by a single switch. It connects to a Bluetooth mesh network and it can be accessed with the UltraLink web portal or iOS app for initial design, setup, and configuration.

### TECHNICAL SPECIFICATIONS

- Construction: White polycarbonate.
- Mounting: Standard switch box.
- Dimensions: 4.11" x 1.72" x 2.76".
- Input Voltage: 120-277 VAC 50/60Hz.
- Max Power Consumption: 1.5W.
- Operating Temperature Range: 0°C to +55°C (+32°F to +131°F).
- Max Bluetooth Range: 30' (9.1 m) line of sight.  
Range is highly dependent on the integration of fixtures, environment and conditions. It is recommended to conduct testing for range accuracy.

### LISTINGS

- FCC, UL, UL 924, DLC, Bluetooth Declaration ID: D062134.
- Conforms with DLC NLC5 Cybersecurity Standards.

### FEATURES

- LED status indicator.
- 1 button for manual on/off.
- Toggle for dimming.
- It can be installed in a standard wall box.
- Advanced settings and functionality such as length of time delays, fade time, energy monitoring, and demand response are available with the optional UltraLink Dashboard.
- Suitable for indoor use only.

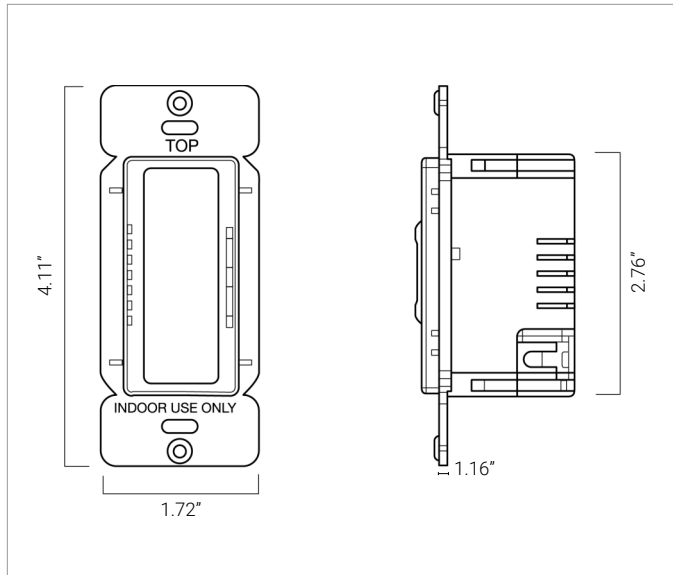


## ORDERING

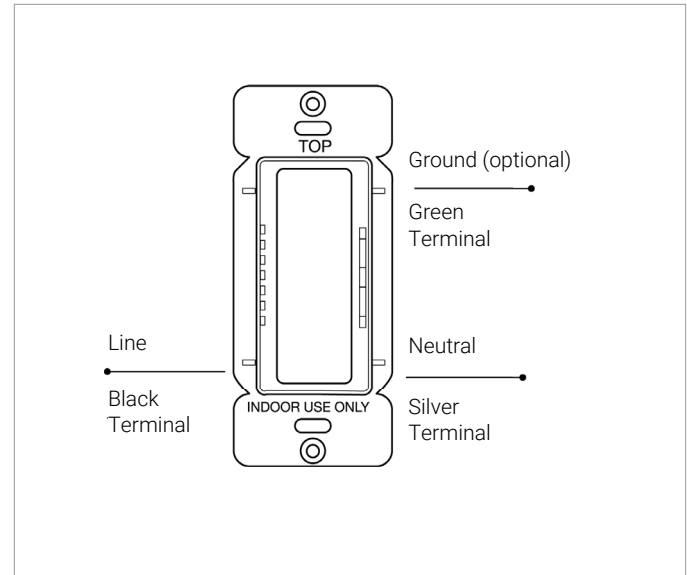
Part Number	Description
ULTRASW-AC	UltraLink Bluetooth Wireless Wall Switch, AC-Powered 120-277V, Single Rocker, On/Off/Dimming.

## DIMENSIONS & DRAWINGS

Dimensions



Wiring Diagram



Manual Control

**BUTTON 1 (ON/OFF)**

Short press - OFF

Short press - AUTO/ON

Auto: Turns on / resume automatic control for fixtures.

**TOGGLE (DIMMING)**

Raise - Dim up

Lower - Dim down

**Factory Reset:** Press and hold Button 1 together with toggle button at top and bottom for 10 seconds.

Updated: 2023.07.13

### Linmore LED Labs, Inc.

2360 S Orange Ave, Fresno, CA 93725 | 559 485 6010 | info@linmoreled.com | linmoreled.com

