



# ULTRARELAY

## UltraLink Wireless Relay



The UltraLink Wireless Relay can be used to control a lighting circuit including dimming, electrical circuit, plug loads, or a room controller. Available in 5 or 20 amp capacities, these Bluetooth NLC Mesh Relays (wireless switch) can be configured within the UltraLink App to turn devices on/off according to schedules, light levels, occupancy, or wireless switches. When combined with ULTRAGATEWAY, additional functionalities include an Energy Dashboard, Demand Response, and Heat Mapping for Occupancy and Energy use.

## TECHNICAL SPECIFICATIONS

- Input Signal: Bluetooth.
- Output Signal: 0-10V, 20mA (max).
- Input Voltage: 100-277 VAC.
- Output Relay Switching Voltage: 100-277 VAC.
- Output Relay Current:  
5A (max) for ULTRARELAY-5A.  
20A (max) for ULTRARELAY-20A.
- Operating Temperature Range: 0°C to +40°C  
(32°F to +104°F).
- Max Bluetooth Range: 213' (65 m) line of sight.  
Range is highly dependent on the integration of fixtures, environment and conditions. It is recommended to conduct testing for range accuracy.

## LISTINGS

- UL, CE, FCC, DLC.
- Class 2 rated.

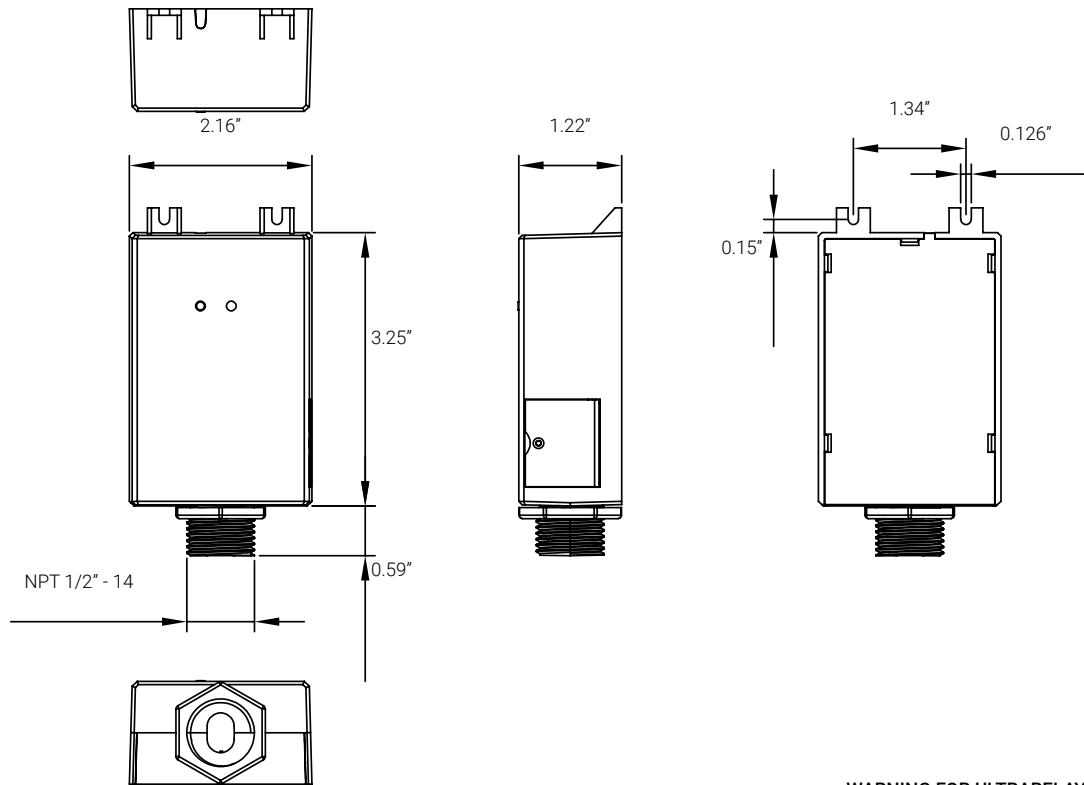
## FEATURES

- Bluetooth NLC (Networked Lighting Control).
- LED status indicator.
- Reset button.
- IPEX antenna.
- Technology partner Silvaair.

## ORDERING

Part Number	Description
ULTRARELAY-5A	UltraLink Wireless Relay, 5 Amp Rated, Converts Bluetooth to 0-10V signal.
ULTRARELAY-20A	UltraLink Wireless Relay, 20 Amp Rated, Converts Bluetooth to 0-10V signal.

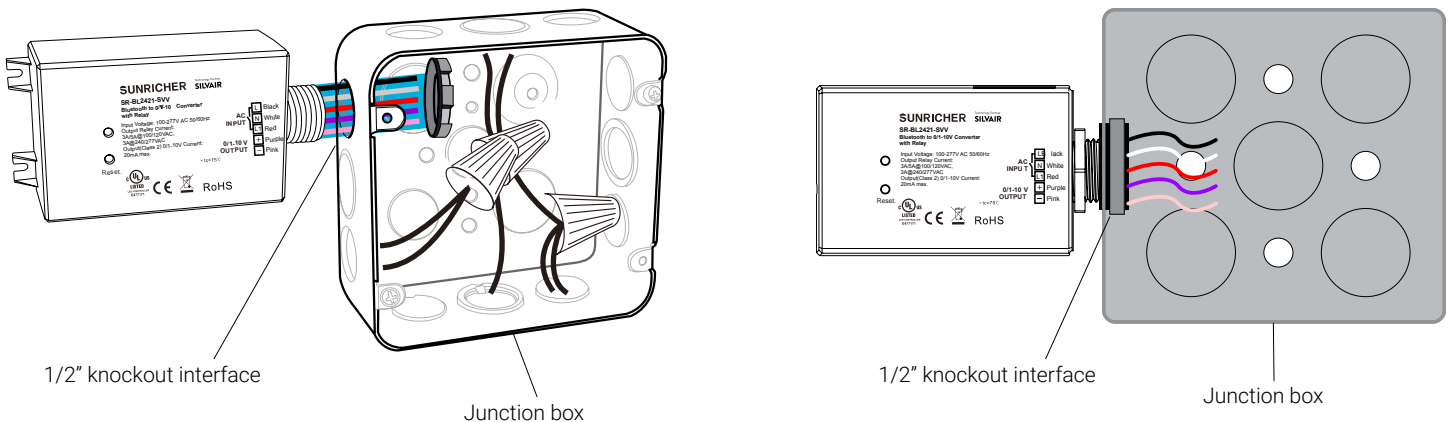
## DIMENSIONS & DRAWINGS



**WARNING FOR ULTRARELAY-20A**  
 Operating control; Type 1.B; Pollution degree: II; Rated impulse voltage: 4000V; Over current protective device: 25A; "When being connected to 277 VAC, the control should be connected to three-phase three-wire unearthened systems, and the rated impulse voltage is 4000V."

## INSTALLATION

DO NOT install with power applied to device. DO NOT expose the device to moisture.

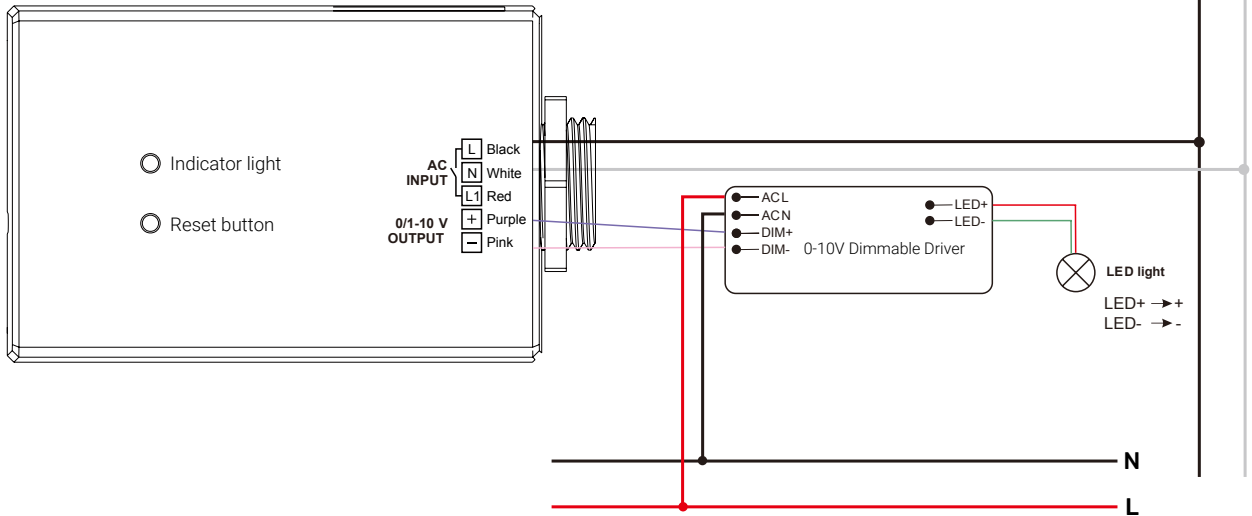


## WIRING

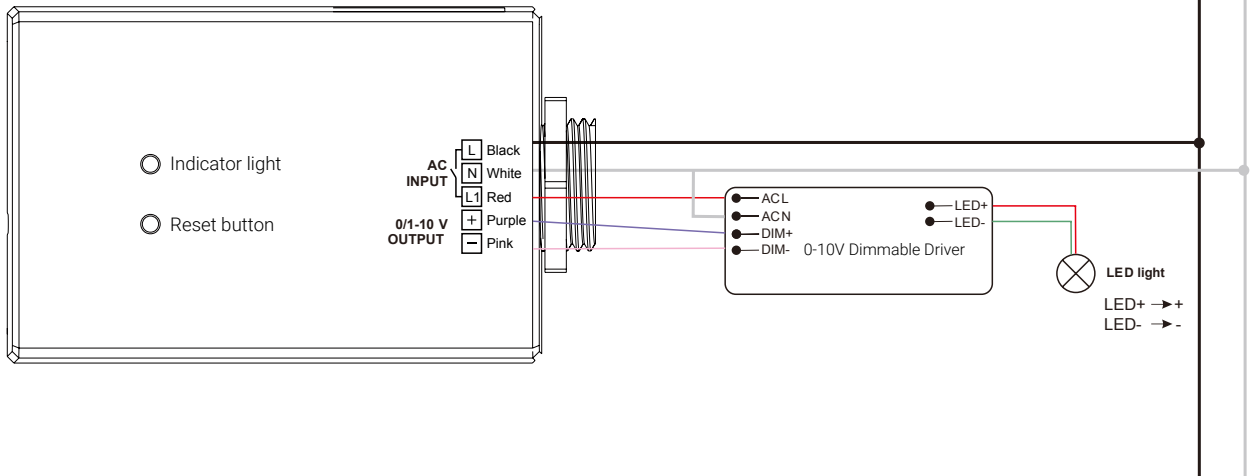
**ULTRARELAY-5A:** 18 AWG for power line and 22 AWG for dimming (signal) line.

**ULTRARELAY-20A:** 12 AWG for power line and 22 AWG for dimming (signal) line.

### 0-10V Dimming Without Relay



### 0-10V Dimming With Relay



## OPERATION

- When the controller is added to the network, the indicator light flashes slowly.
- To reset the controller, withdrawing the device from the UltraLink app, press and hold down the reset button over 5 seconds until the indicator light flashes quickly, indicating success.
- Refer to the Silclair Commissioning User Manual for further pairing instructions.

Updated: 2024.02.28

## Linmore LED Labs, Inc.

2360 S Orange Ave, Fresno, CA 93725 | 559 485 6010 | info@linmoreled.com | linmoreled.com

