



ULTRAPIR9

UltraLink PIR Sensor with Photocell (9')



The ULTRAPIR9 is a fixture mount Bluetooth controller with a remote PIR sensor suitable for 9' mounting heights.

It uses PIR motion detector architecture and passive infrared (PIR) technology for improved detection coverage in indoor applications. Ideal for fixtures installed in open offices, schools, cafeterias, and corridors to maximize granular energy savings. It connects to a Bluetooth mesh network and it can be accessed with the UltraLink web portal or iOS app for initial design, setup, and configuration.

TECHNICAL SPECIFICATIONS

- Construction: White polycarbonate.
- Sensing Technology: Passive infrared (PIR).
- Input Voltage: 12-24 VDC.
- Current Consumption: 50 mA.
- 0-10V Output: 100 mA.
- Operating Temperature Range: -30°C to +70°C (-22°F to +158°F).
- Max Mounting Height: 9 ft (2.7 m).
- Max Sensor Range: 8 ft (1.8 m) radius.
- Max Bluetooth Range: 100' (30.4 m) line of sight.
Range is highly dependent on the integration of fixtures, environment and conditions. It is recommended to conduct testing for range accuracy.

LISTINGS

- FCC, UL, UL 924, DLC, Bluetooth Declaration ID: D062134.
- Conforms with DLC NLC5 Cybersecurity Standards.

FEATURES

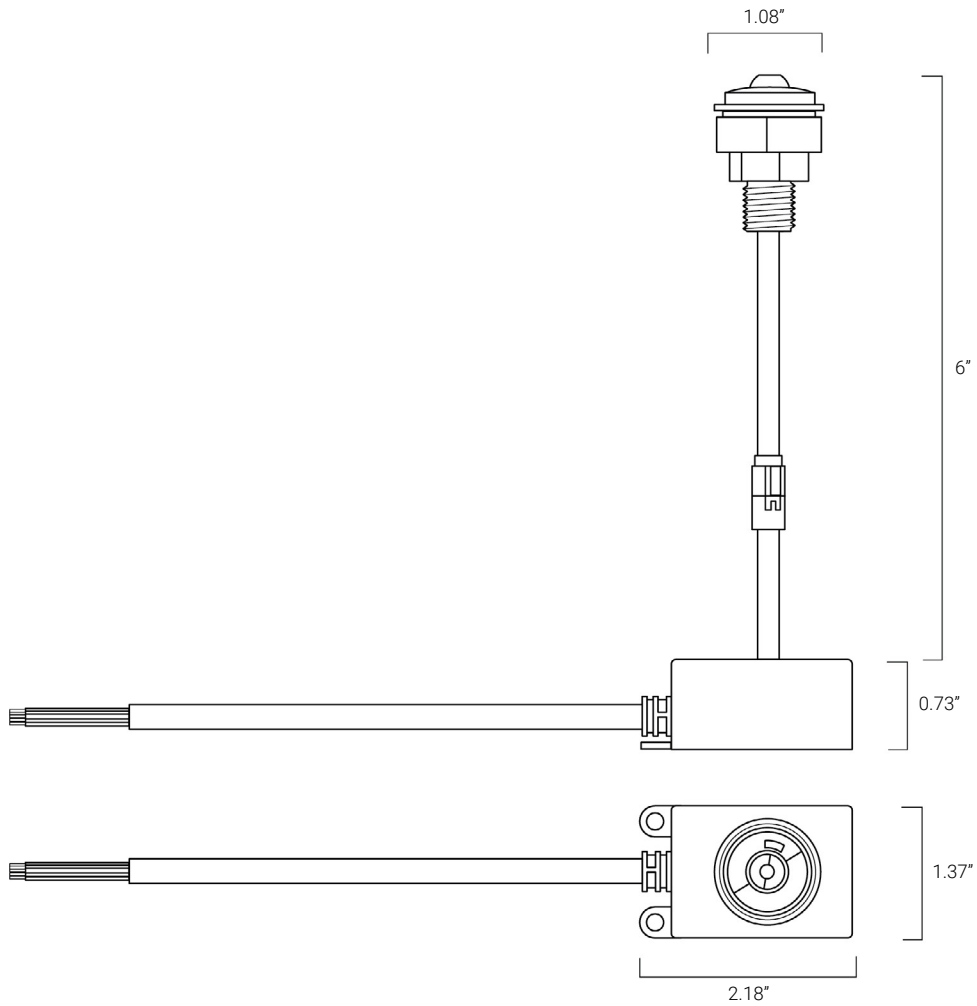
- LED motion indicator.
- Turns lights on automatically when motion is detected and turns lights off automatically after the area is vacated.
- Integrated daylight harvesting.
- Programmable settings include time delays and brightness and can be set through the UltraLink iOS app.
- PIR detection is 360° coverage pattern, best suited for areas with a clear line of sight and good air circulation.
- Advanced functionality such as energy monitoring, and demand response is available with the optional UltraLink Dashboard.
- The sensor can operate with a driver that has an auxiliary output (12V).
- Suitable for indoor use only.



ORDERING

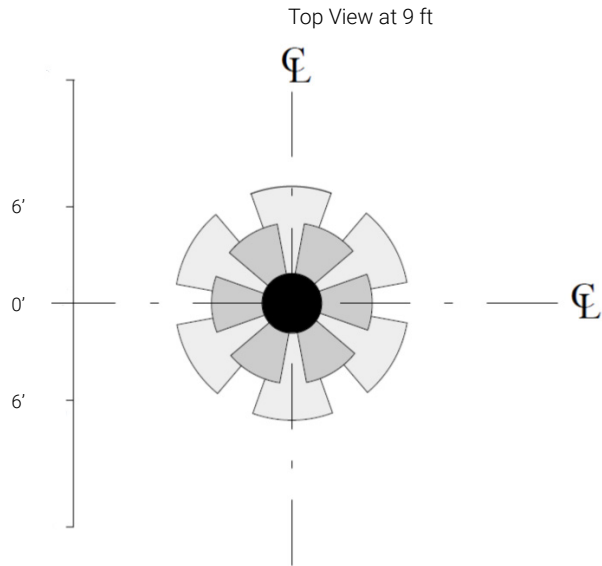
Part Number	Description
ULTRAPIR9	UltraLink Bluetooth Wireless Fixture Controller with Remote PIR Sensor, 9' Mounting Height. Fixture integrated, factory installed, includes Power Supply.

DIMENSIONS & DRAWINGS

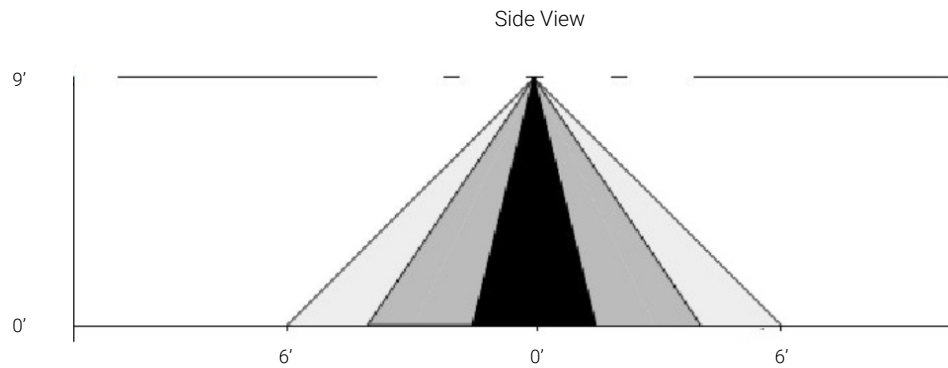


Drawings not to scale

SENSOR COVERAGE



Note: The application/absolute range of the sensor is subject to variation because of different types of clothing, backgrounds, and ambient temperature. Therefore, ensure the lens is properly oriented along routes with expected traffic and conduct testing along those routes.



Updated: 2023.08.28

Linmore LED Labs, Inc.

2360 S Orange Ave, Fresno, CA 93725 | 559 485 6010 | info@linmoreled.com | linmoreled.com

