



ULTRAPIR40-AH1

UltraLink PIR Sensor for Ace LED High Bays (AH1)



The ULTRAPIR40-AH1 is a fixture mount Bluetooth controller with PIR sensor suitable for 20' to 40' mounting heights.

This Plug & Play sensor installs to Ace LED High Bays' (AH1) knockout. It can be configured as an occupancy or occupancy and daylight sensor. It uses PIR motion detector architecture and passive infrared (PIR) technology for improved detection coverage in high bay and low bay applications. It connects to a Bluetooth mesh network and it can be accessed with the UltraLink web portal or iOS app for initial design, setup, and configuration.

TECHNICAL SPECIFICATIONS

- Construction: White polycarbonate.
- Sensing Technology: Passive infrared (PIR).
- Connection: 3-pin design, low voltage connector.
- Input Voltage: 12-24 VDC.
- Current Consumption: 50 mA.
- Operating Temperature Range: -20°C to +60°C (-4°F to +140°F).
- Max Mounting Height: 40 ft (12.2 m).
- Max Bluetooth Range: 200' (61 m) line of sight.
Range is highly dependent on the integration of fixtures, environment and conditions. It is recommended to conduct testing for range accuracy.

LISTINGS

- FCC, UL, UL 924, DLC, Bluetooth Declaration ID: D062134.
- Conforms with DLC NLC5 Cybersecurity Standards.

FEATURES

- Turns lights on automatically when motion is detected and turns lights off automatically after the area is vacated.
- Programmable settings include time delays and brightness and can be set through the UltraLink iOS app.
- PIR detection is 360° coverage pattern, best suited for areas with a clear line of sight and good air circulation.
- Advanced functionality such as energy monitoring, and demand response is available with the optional UltraLink Dashboard.
- Magnetic reset (touch the top part of the sensor for 5 seconds).
- Suitable for indoor use only.

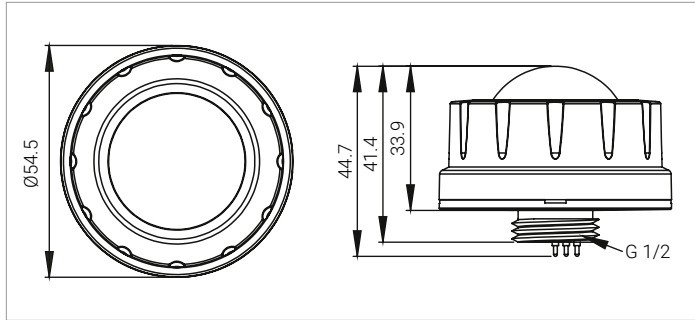


ORDERING

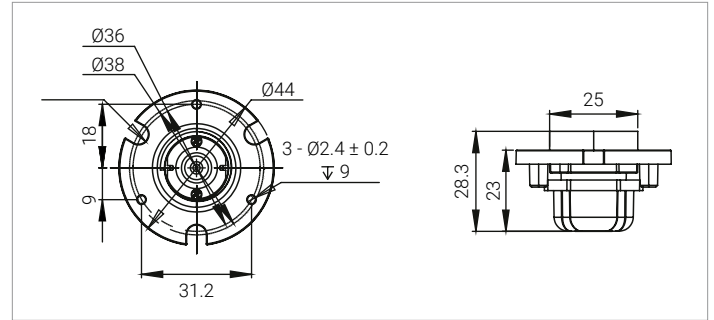
Part Number	Description
ULTRAPIR40-AH1	UltraLink Bluetooth Wireless Fixture Controller with PIR Sensor, 20' to 40' mounting height, Plug & Play, 3-Pin connector, for AH1 fixtures only.

DIMENSIONS & DRAWINGS

Sensor



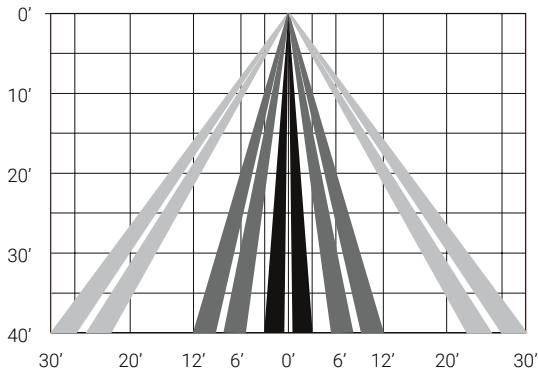
Receptacle



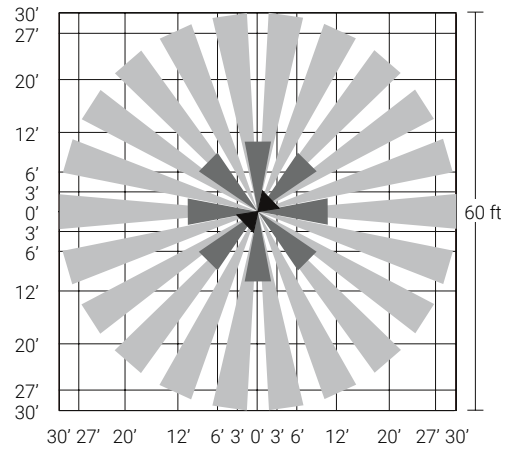
Drawings not to scale

SENSOR COVERAGE

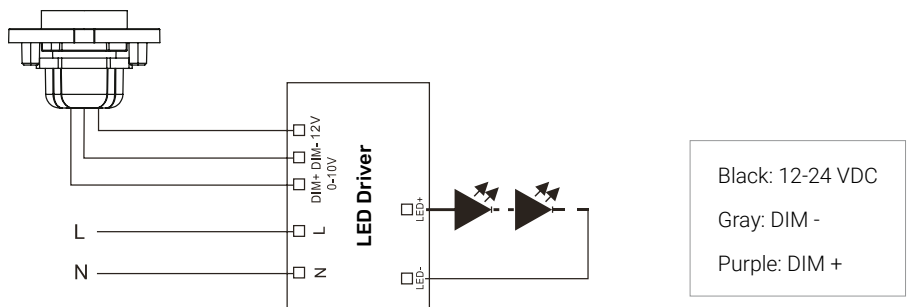
Coverage Side View



Coverage Top View



WIRING DIAGRAM



Updated: 2023.08.01

Linmore LED Labs, Inc.

2360 S Orange Ave, Fresno, CA 93725 | 559 485 6010 | info@linmoreled.com | linmoreled.com



UltraLink is a brand of Linmore LED. All specifications are subject to change without notice. Please visit linmoreled.com for latest information. All values are typical or design values. Actual performance may differ as a result of end-user environments and applications. Consult Linmore LED with specific inquiries. Copyright © 2023, Linmore LED Labs, Inc. All rights reserved.