



ULTRAPIR20-SM

UltraLink PIR Sensor with Photocell, Side Mount (20')



The ULTRAPIR20 is a side mount Bluetooth controller with PIR sensor suitable for 8' to 20' mounting heights.

It uses PIR motion detector architecture and passive infrared (PIR) technology for improved detection coverage in high bay and low bay applications. It connects to a Bluetooth mesh network and it can be accessed with the UltraLink web portal or iOS app for initial design, setup, and configuration.

TECHNICAL SPECIFICATIONS

- Construction: White polycarbonate.
- Sensing Technology: Passive infrared (PIR).
- Input Voltage: 12-24 VDC.
- Current Consumption: 50 mA.
- 0-10V Output: 150 mA.
- Operating Temperature Range: -30°C to +70°C (-22°F to +158°F).
- Max Mounting Height: 20 ft (6.1 m).
- Max Sensor Range: 30 ft (9.1 m) radius.
- Max Bluetooth Range: 100' (30.4 m) line of sight.
Range is highly dependent on the integration of fixtures, environment and conditions. It is recommended to conduct testing for range accuracy.

LISTINGS

- FCC, UL, UL 924, DLC, Bluetooth Declaration ID: D062134.
- Conforms with DLC NLC5 Cybersecurity Standards.

FEATURES

- LED motion indicator.
- Turns lights on automatically when motion is detected and turns lights off automatically after the area is vacated.
- Programmable settings include time delays and brightness and can be set through the UltraLink iOS app.
- PIR detection is 360° coverage pattern, best suited for areas with a clear line of sight and good air circulation.
- Advanced functionality such as energy monitoring, and demand response is available with the optional UltraLink Dashboard.
- The sensor can operate with a driver that has an auxiliary output (12V).
- Suitable for indoor use only.

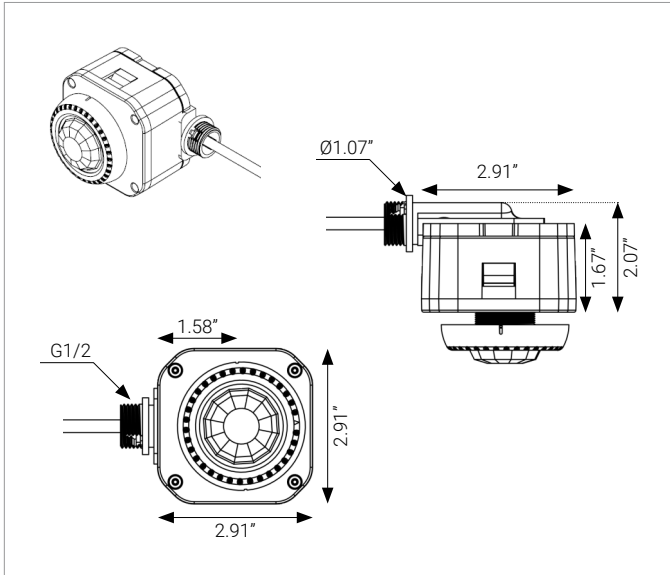


ORDERING

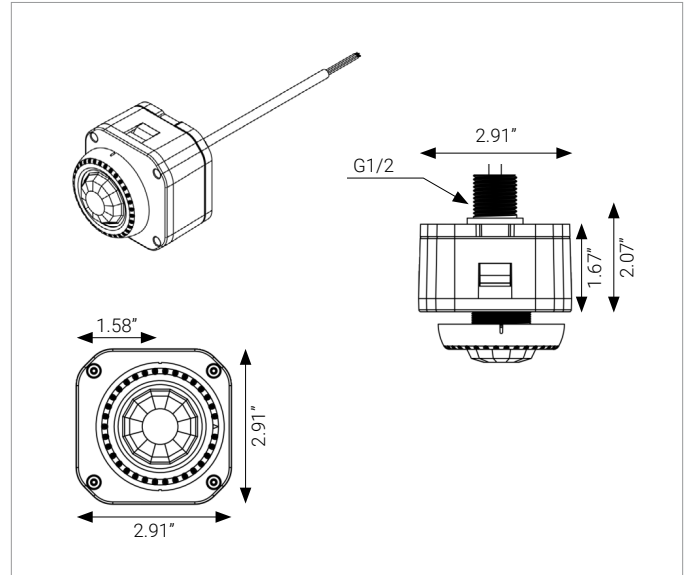
| Part Number | Description |
|----------------------|--|
| ULTRAPIR20-SM | UltraLink Bluetooth Wireless Side Mount Controller with PIR Sensor, 8' to 20' mounting height, includes power supply. Field-installed. |

DIMENSIONS & DRAWINGS

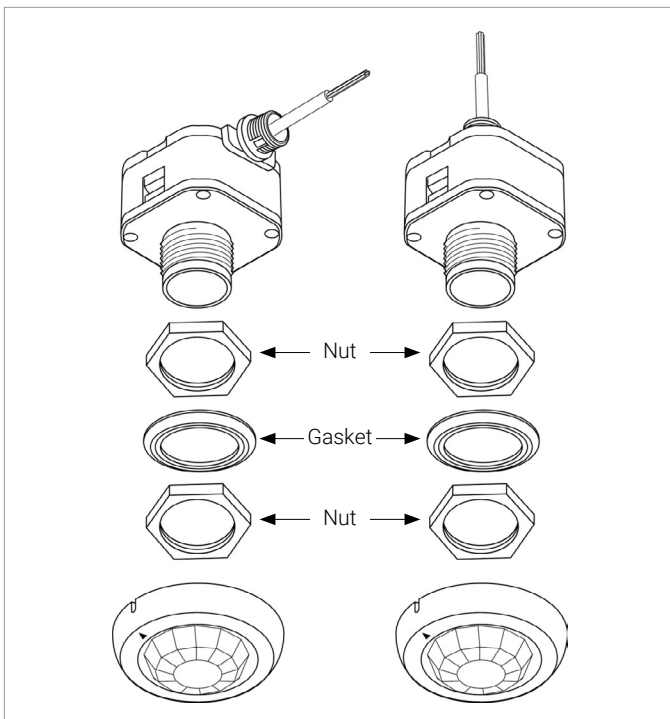
Side Mount Housing



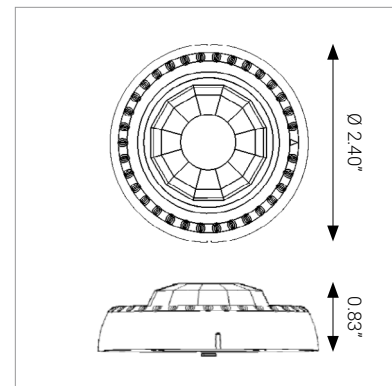
Bottom Mount Housing



Installation

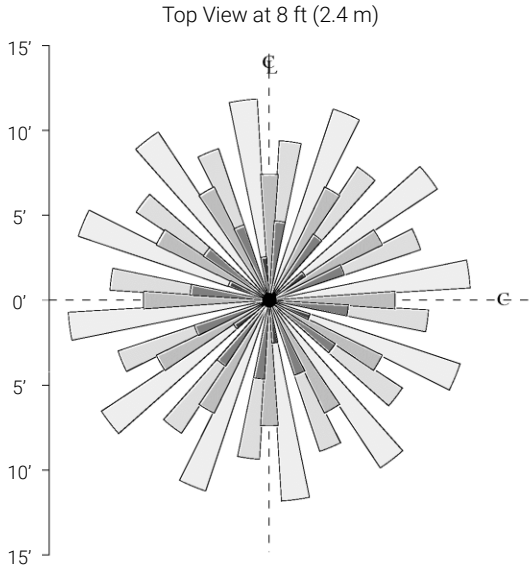


Lens cover

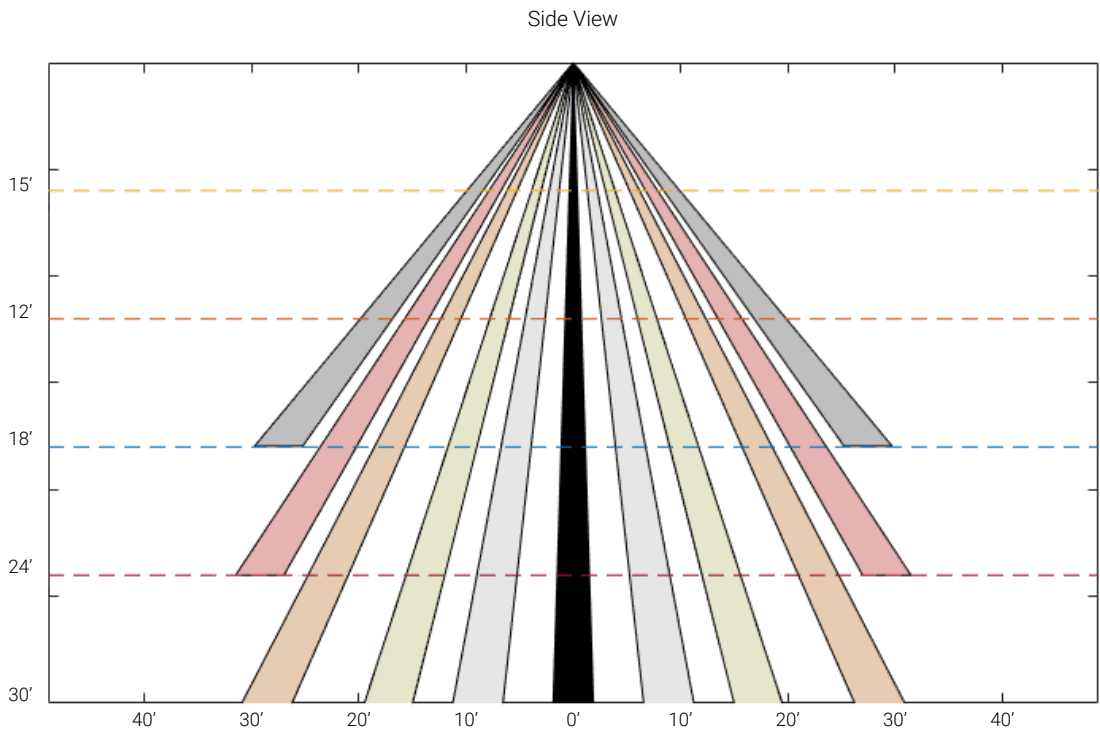


Drawings not to scale

SENSOR COVERAGE



Note: The application/absolute range of the sensor is subject to variation because of different types of clothing, backgrounds, and ambient temperature. Therefore, ensure the lens is properly oriented along routes with expected traffic and conduct testing along those routes.



Updated: 2023.07.18

Linmore LED Labs, Inc.

2360 S Orange Ave, Fresno, CA 93725 | 559 485 6010 | info@linmoreled.com | linmoreled.com

