



ULTRAPIR12-CM

UltraLink PIR Sensor, Ceiling Mount (12')



The ULTRAPIR12-CM is a ceiling mount Bluetooth PIR sensor suitable for 8' to 12' mounting heights.

It uses PIR motion detector architecture and passive infrared (PIR) technology for improved detection coverage in indoor applications. It connects to a Bluetooth mesh network and it can be accessed with the UltraLink web portal or iOS app for initial design, setup, and configuration.

TECHNICAL SPECIFICATIONS

- Construction: White polycarbonate.
- Sensing Technology: Passive infrared (PIR).
- Input Voltage: 12-24 VDC.
- Current Consumption: 50 mA.
- 0-10V Output: 150 mA.
- Operating Temperature Range: -30°C to +70°C (-22°F to +158°F).
- Max Mounting Height: 12 ft (3.6 m).
- Max Sensor Range: 37 ft (11.3 m) radius.
- Max Bluetooth Range: 100' (30.4 m) line of sight.
Range is highly dependent on the integration of fixtures, environment and conditions. It is recommended to conduct testing for range accuracy.

FEATURES

- LED motion indicator.
- Turns lights on automatically when motion is detected and turns lights off automatically after the area is vacated.
- Programmable settings include time delays and brightness and can be set through the UltraLink iOS app.
- PIR detection is 360° coverage pattern, best suited for areas with a clear line of sight and good air circulation.
- Advanced functionality such as energy monitoring, and demand response is available with the optional UltraLink Dashboard.
- The sensor can operate with a driver that has an auxiliary output (12V).
- Suitable for indoor use only.

LISTINGS

- FCC, UL, UL 924, DLC, Bluetooth Declaration ID: D062134.
- Conforms with DLC NLC5 Cybersecurity Standards.

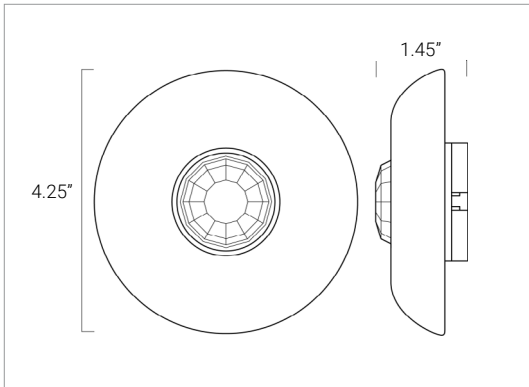


ORDERING

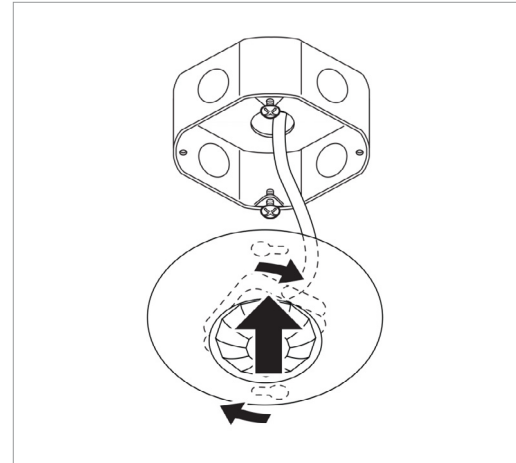
Part Number	Description
ULTRAPIR12-CM	UltraLink Bluetooth Wireless Ceiling Mount Controller with PIR Sensor, 8' to 12' mounting height, includes power supply. Field-installed (additional electrical materials may be required).

DIMENSIONS & DRAWINGS

Sensor

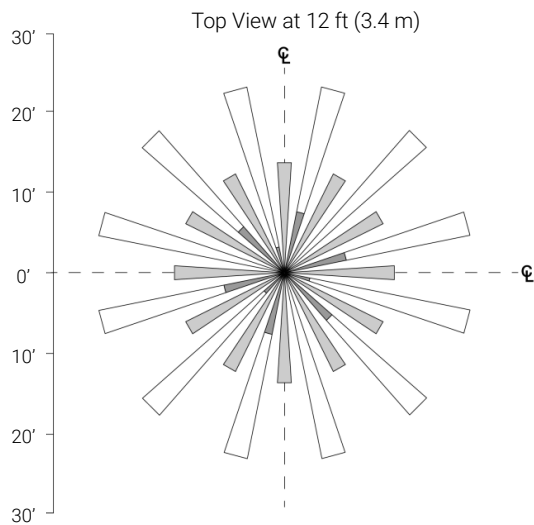


Installation



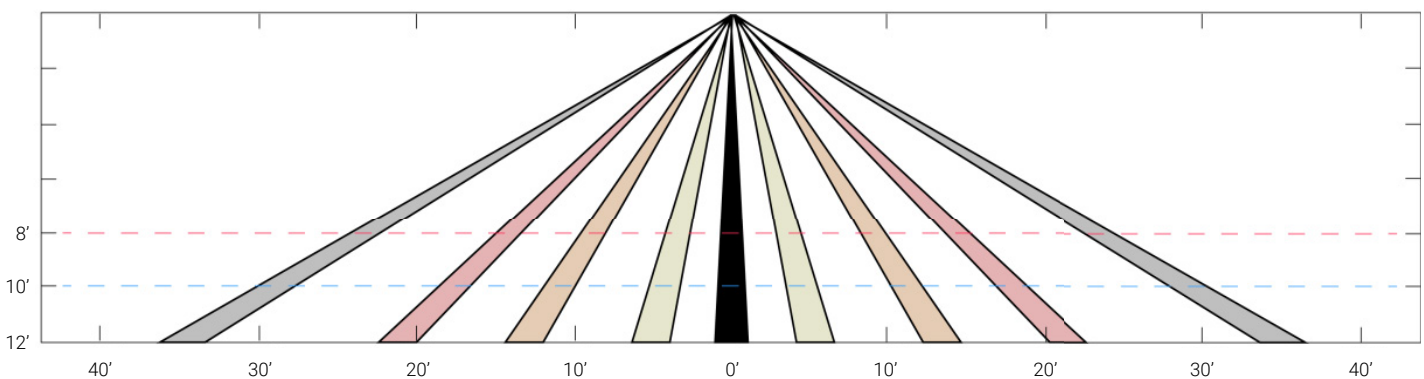
Junction box / electrical materials not included.

SENSOR COVERAGE



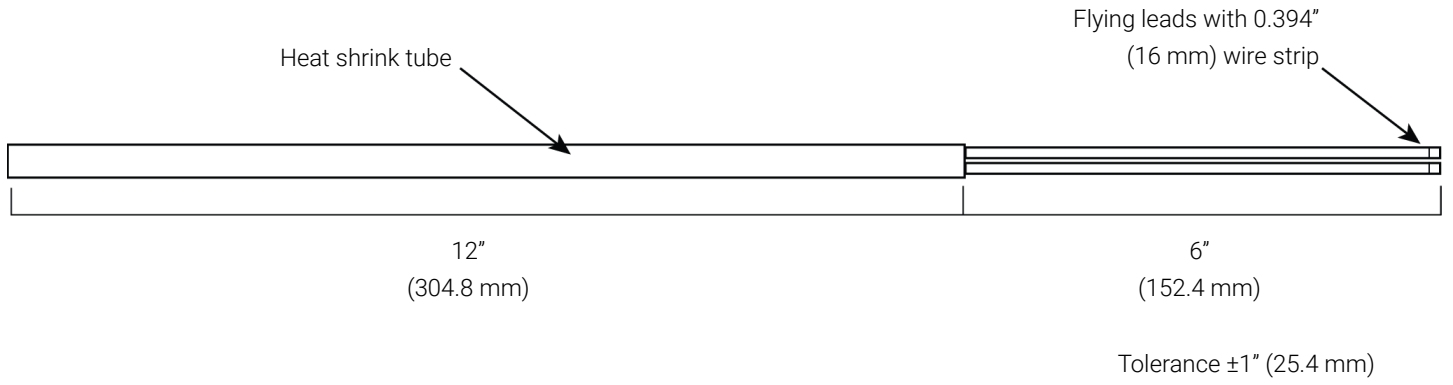
Note: The application/absolute range of the sensor is subject to variation because of different types of clothing, backgrounds, and ambient temperature. Therefore, ensure the lens is properly oriented along routes with expected traffic and conduct testing along those routes.

Side View



LEADS

Minimum 22 AWG



Updated: 2023.07.18

Linmore LED Labs, Inc.

2360 S Orange Ave, Fresno, CA 93725 | 559 485 6010 | info@linmoreled.com | linmoreled.com



UltraLink is a brand of Linmore LED. All specifications are subject to change without notice. Please visit linmoreled.com for latest information. All values are typical or design values. Actual performance may differ as a result of end-user environments and applications. Consult Linmore LED with specific inquiries. Copyright © 2023, Linmore LED Labs, Inc. All rights reserved.