



ULTRAPIR-WH-EZ10

EZ-Connect™ UltraLink Wireless Fixture Controller with PIR and Daylight Sensors



The ULTRAPIR-WH-EZ10 is a Bluetooth NLC Fixture Controller with Passive Infrared and Daylight Sensors suitable for up to 40' Mounting Heights. It provides automatic On/Off/Dim control based on motion and/or daylight levels. This sensor detects motion by receiving infrared radiation (heat) from people, animals, or objects within its field of view. Rated for wet and cold locations, it can be field installed in fixtures equipped with an EZ-Connect™ receptacle with Twist Lock System. It connects via Bluetooth and it can be accessed with the UltraLink web portal or iOS app for setup and configuration.

TECHNICAL SPECIFICATIONS¹

- **Construction:** White Polycarbonate.
- **Sensing Technology:** Passive Infrared (PIR).
- **Connection Method:** EZ10 (Compatible with EZ-Connect™ Receptacles with Twist Lock System).
- **Input Voltage:** 12-24V DC.
- **Current Consumption:** >50mA.
- **Control Output:** 0-10V, 25mA.
- **Operating Temperature Range:** -20°C to +60°C (-4°F to +140°F).
- **Max Mounting Height:** 40ft (12m).
- **Max Sensor Range:** 50ft (15m) radius.
- **Max Bluetooth Range:** 200ft (60m) line of sight.

FEATURES

- EZ-Connect™: installs in seconds without tools or wiring.
- PIR Detection with 360° Coverage Pattern, best suited for indoor or outdoor areas with a clear line of sight.
- Integrated Daylight Sensor for Daylight Harvesting.
- LED Motion Indicator.
- Programmable Settings include time delays and brightness and can be set through the UltraLink iOS app.
- Advanced Functionality such as energy monitoring, and demand response available with the optional UltraLink Dashboard.
- Magnetic Reset (touch the top part of the sensor for 5s).
- Integrated Antenna.
- Suitable for Indoor and Outdoor use.

LISTINGS

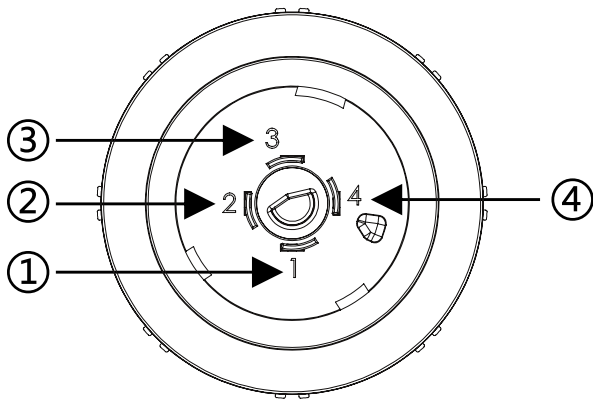
- FCC, UL, DLC, RoHS, IP65.
- Conforms with DLC NLC5 Cybersecurity Standards.



ORDERING

Part Number	Description
ULTRAPIR-WH-EZ10	UltraLink Bluetooth NLC Wireless Fixture Controller with PIR Occupancy and Daylight Sensors, White Color, EZ-Connect™ Twist Lock System, 40' Max Mounting Height, IP65, Silvair Firmware. Field installed.
SEN-PROG	Infrared Remote Programmer. Only required to change sensor's detection sensitivity.

CONNECTION DIAGRAM



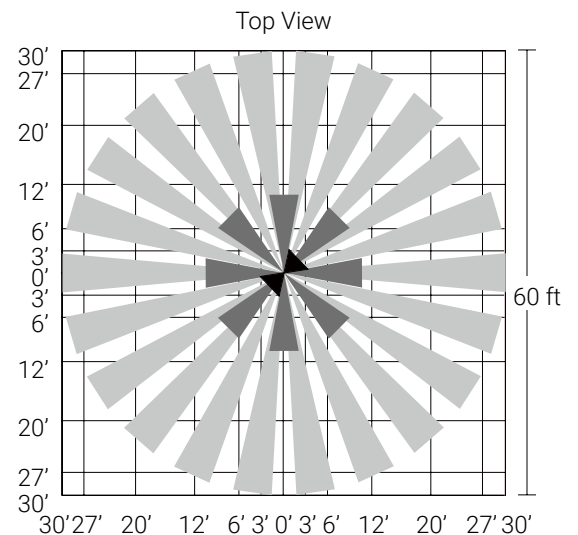
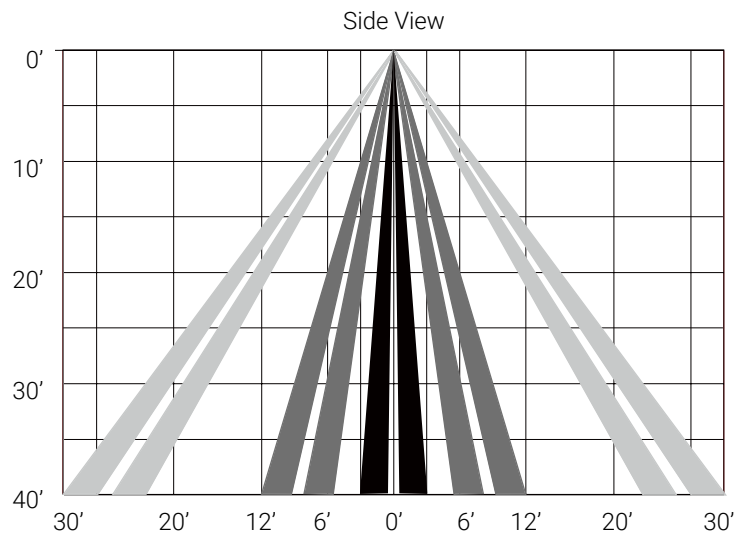
Port 1 12-24V DC

Port 2 GND/DIM-

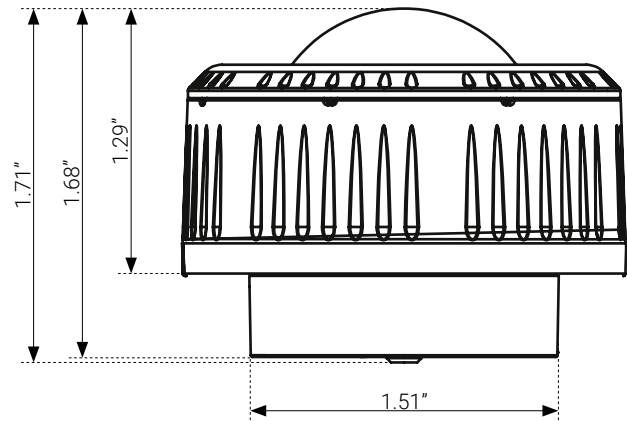
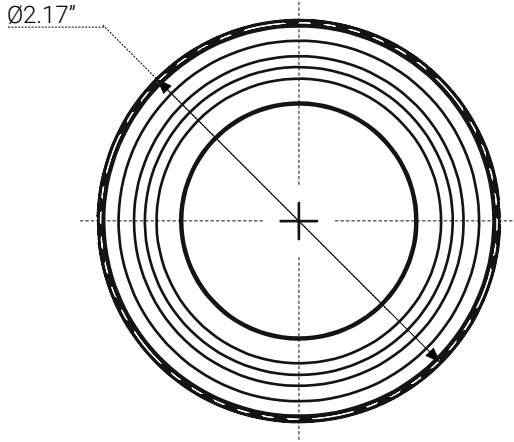
Port 3 DIM+

Port 4 NC

SENSOR COVERAGE



DIMENSIONS & DRAWINGS



FOOTNOTES

1. The performance of sensors and lenses is influenced by various factors beyond Linmore LED's control, including but not limited to environmental conditions, user settings, and proper maintenance. While we provide detailed specifications and guidelines to help optimize performance, we cannot guarantee or be held liable for the performance of sensors or lenses under any particular circumstance(s). Customers are advised to test the products in their specific application environments to ensure suitability for their intended use and are responsible for all sensor and lens selections.

Updated: 2025/10/08

Linmore LED Labs, Inc.

2360 S Orange Ave, Fresno, CA 93725 | 559 485 6010 | info@linmoreled.com | linmoreled.com

