



ULTRAMW

UltraLink Microwave Motion Sensor



The **ULTRAMW** is a fixture mount Bluetooth controller with a microwave sensor suitable for up to 30' mounting heights. The sensor actively emits microwaves at 10.525 GHz frequency and uses the Doppler shift of the return waves to detect motion. It connects to a Bluetooth mesh network and it can be accessed with the UltraLink web portal or iOS app for initial design, setup, and configuration.

TECHNICAL SPECIFICATIONS

- Construction: White polycarbonate.
- Sensing Technology: 10.525 GHz microwave sensor.
- Input Voltage: 12-24 VDC.
- Current Consumption: 85 mA.
- 0-10V Output: 100 mA.
- Output: Active high Vin-2.5V, 100 mA source.
- Operating Temperature Range: -30°C to +70°C (-22°F to +158°F).
- Max Mounting Height: 30 ft (9.1 m).
- Max Sensor Range: 36 x 92 ft (11 x 28 m).
- Max Bluetooth Range: 65 ft (20 m) line of sight.
Range is highly dependent on the integration of fixtures, environment and conditions. It is recommended to conduct testing for range accuracy.

LISTINGS

- FCC, UL, UL 924, DLC, Bluetooth Declaration ID: D062134.
- Conforms with DLC NLC5 Cybersecurity Standards.

FEATURES

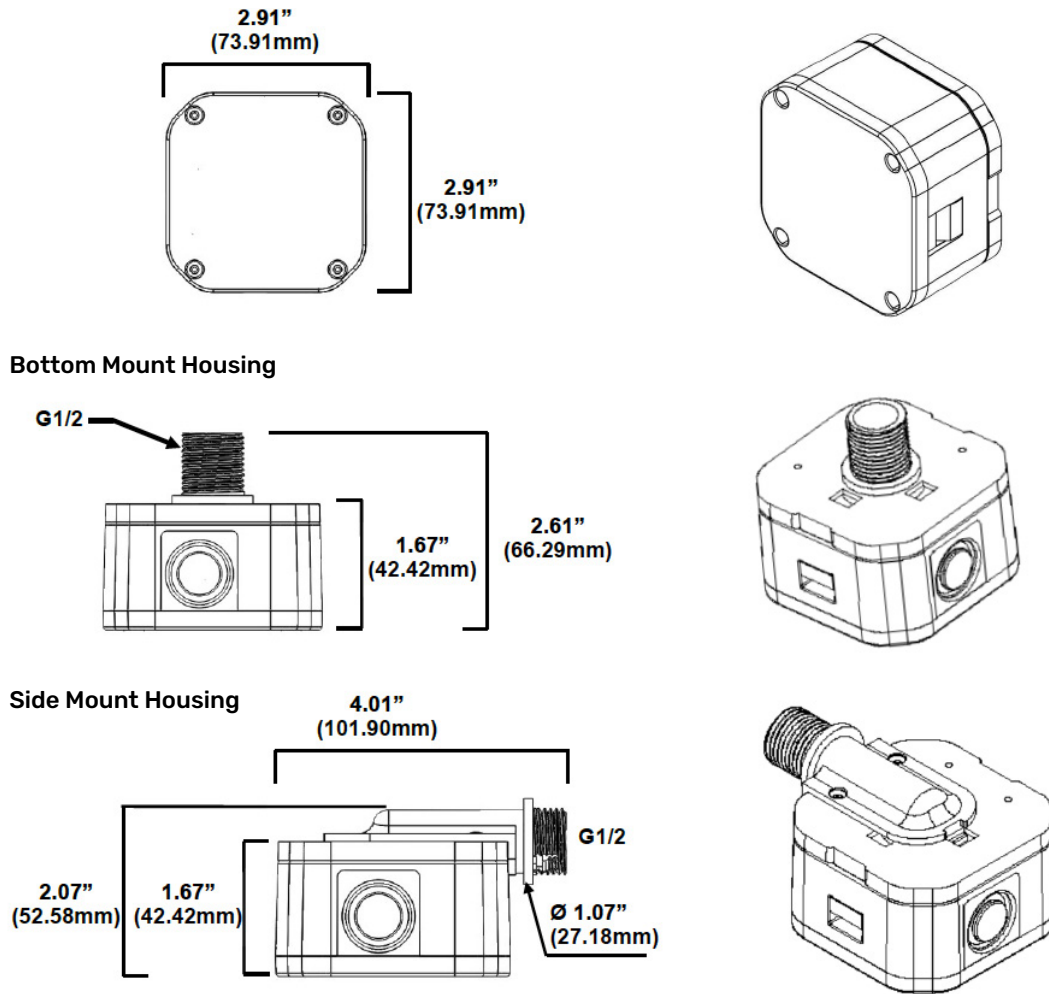
- Fixture mount.
- Consistent detection over a wide range of temperatures.
- Bi-level dimming. Turns lights on automatically when motion is detected and turns lights off automatically after the area is vacated.
- Programmable settings include time delays and brightness and can be set through the UltraLink iOS app.
- Advanced functionality such as energy monitoring, and demand response is available with the optional UltraLink Dashboard.
- Suitable for indoor use only.



ORDERING

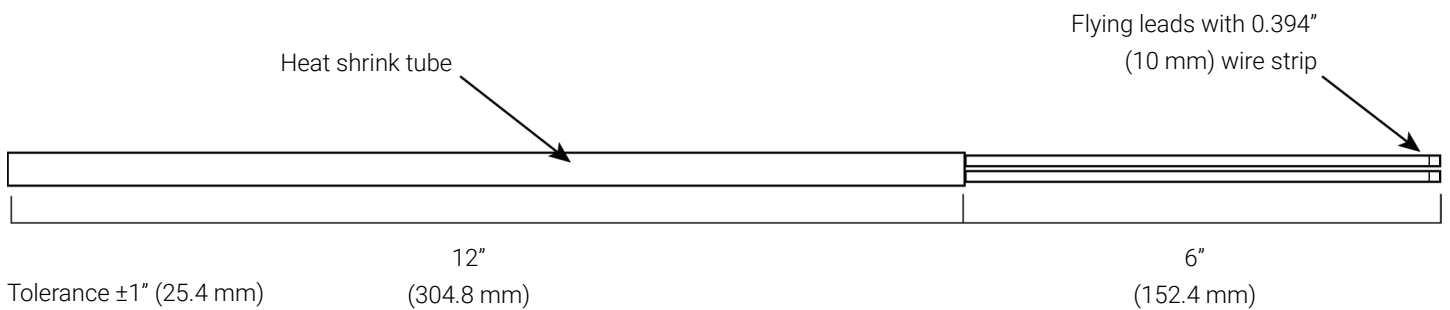
Part Number	Description
ULTRAMW	UltraLink Bluetooth Wireless Fixture Controller with Microwave Sensor, up to 30' Mounting Height. Fixture Integrated, Factory Installed, includes Power Supply.

DIMENSIONS & DRAWINGS



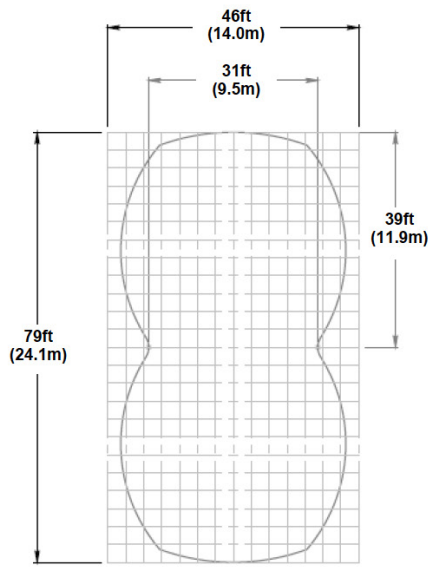
LEADS

Minimum 22 AWG

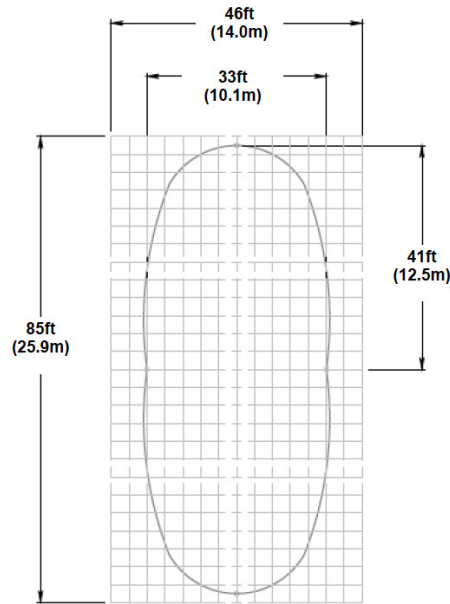


SENSOR COVERAGE

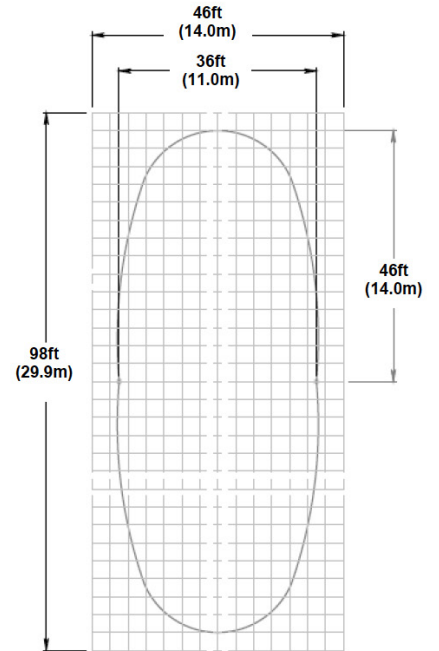
Mounting at 10 ft



Mounting at 20 ft



Mounting at 30 ft



Updated: 2023.09.21

Linmore LED Labs, Inc.

2360 S Orange Ave, Fresno, CA 93725 | 559 485 6010 | info@linmoreled.com | linmoreled.com



UltraLink is a brand of Linmore LED. All specifications are subject to change without notice. Please visit linmoreled.com for latest information. All values are typical or design values. Actual performance may differ as a result of end-user environments and applications. Consult Linmore LED with specific inquiries. Copyright © 2023, Linmore LED Labs, Inc. All rights reserved.