



ULTRAHGA-CL-EZ10

EZ-Connect™ UltraLink Wireless Receiver and Fixture Controller with Long-Range Antenna



The ULTRAHGA-CL-EZ10 is a Bluetooth NLC Wireless Receiver and Fixture Controller for fixtures that don't require motion sensors. It includes a long-range antenna to drastically increase Bluetooth range and mesh quality. It receives instructions based on motion, daylight, switching, or scheduled events from other sensors, switches and/or gateways through the Bluetooth mesh network and controls the fixture accordingly. Rated for wet and cold locations, it can be field installed in fixtures equipped with an EZ-Connect™ receptacle with Twist Lock System. It connects via Bluetooth and can be accessed with the UltraLink web portal or iOS app for setup and configuration.

TECHNICAL SPECIFICATIONS¹

- **Construction:** Clear Polycarbonate.
- **Connection Method:** EZ10 (Compatible with EZ-Connect™ Receptacles with Twist Lock System).
- **Input Voltage:** 12-24V DC.
- **Current Consumption:** >100mA.
- **Control Output (Single Channel):** 0-10V, 30mA.
- **Load Output Control (Relay Control):** 10-22V DC, 30mA.
- **Operating Temperature Range:** -30°C to +70°C (-22°F to +158°F).
- **Max Bluetooth Range:** 1,200ft (366m) line of sight.

LISTINGS

- FCC, UL, DLC, RoHS, IP65.
- Conforms with DLC NLC5 Cybersecurity Standards.

FEATURES

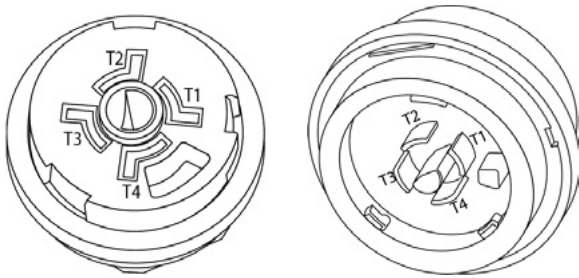
- EZ-Connect™: installs in seconds without tools or wiring.
- Programmable Settings include time delays and brightness and can be set through the UltraLink iOS app.
- Advanced Functionality such as energy monitoring, and demand response available with the optional UltraLink Dashboard.
- Magnetic Reset (touch the top part of the sensor for 5s).
- Integrated Long-Range Antenna.
- Suitable for Indoor and Outdoor use.



ORDERING

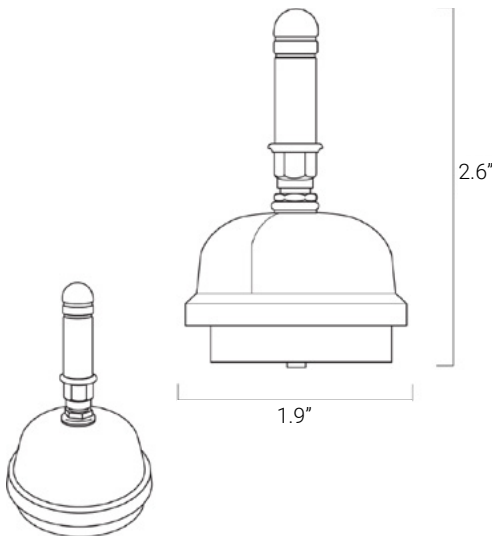
Part Number	Description
ULTRAHGA-CL-EZ10	UltraLink Bluetooth NLC Wireless Receiver and Fixture Controller with Long-Range Antenna, Clear Color, EZ-Connect™ Twist Lock System, IP65, Silvair Firmware. Field installed.

CONNECTION DIAGRAM

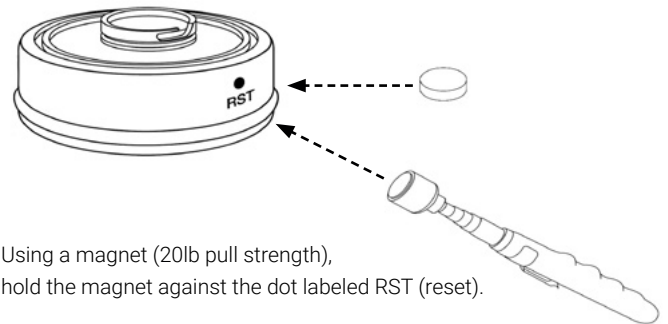


T1	12-24V DC (+) Power to Controller	Red Wire
T2	12-24V DC (-) Power and 0-10V DC (-) / Common	Black Wire
T3	0-10V DC (+) Control Signal from Controller	Purple Wire
T4	10-22V DC Load Control Output (Active High)	Yellow Wire

DIMENSIONS & DRAWINGS



RESET INSTRUCTIONS



Using a magnet (20lb pull strength), hold the magnet against the dot labeled RST (reset).

Once the fixture associated with the controller has flashed 3 times then stayed on, remove the magnet. The controller is now reset to factory conditions and ready to be reprogrammed

FOOTNOTES

1. The performance of this product is influenced by various factors beyond Linmore LED's control, including but not limited to environmental conditions, user settings, and proper maintenance. While we provide detailed specifications and guidelines to help optimize performance, we cannot guarantee or be held liable for its performance under any particular circumstance(s). Customers are advised to test the products in their specific application environments to ensure suitability for their intended use.

Updated: 2024/08/29

Linmore LED Labs, Inc.

2360 S Orange Ave, Fresno, CA 93725 | 559 485 6010 | info@linmoreled.com | linmoreled.com

