



ULTRA-Z10

EZ-Connect™ UltraLink Wireless Receiver & Fixture Controller



Technology Partner
SILVAIR

The **ULTRA-Z10** is a **Bluetooth NLC Wireless Receiver and Fixture Controller for fixtures that don't require motion sensors.** Sensors and switches send commands through the Bluetooth NLC mesh network, telling the fixture how to operate based on motion, daylight, switching, or scheduled events (ULTRAGATEWAY accessory required for time-based events). Rated for wet and cold locations, it can be field installed in fixtures equipped with an EZ-Connect™ receptacle with Twist Lock System. It connects via Bluetooth and can be accessed with the UltraLink web portal or iOS app for setup and configuration.

TECHNICAL SPECIFICATIONS

- Construction: White Polycarbonate.
- Connection Method: EZ-Connect™ with Twist Lock System.
- Input Voltage: 12-24 VDC.
- Current Consumption: >50 mA.
- Control Output: 0-10V, 25 mA.
- Operating Temperature Range: -20°C to +60°C (-4°F to +140°F).
- Max Mounting Height: 40 ft (12 m).
- Max Sensor Range: 50 ft (15 m) radius.
- Max Bluetooth Range: 200 ft (60 m) line of sight.

Range is highly dependent on the integration of fixtures, environment and conditions. It is recommended to conduct testing for range accuracy.

FEATURES

- EZ-Connect™: installs in seconds without tools or wiring.
- Programmable Settings include time delays and brightness and can be set through the UltraLink iOS app.
- Advanced Functionality such as energy monitoring, and demand response available with the optional UltraLink Dashboard.
- Magnetic Reset (touch the top part of the sensor for 5s).
- Integrated Antenna.
- IP65, Suitable for Indoor and Outdoor use.

LISTINGS

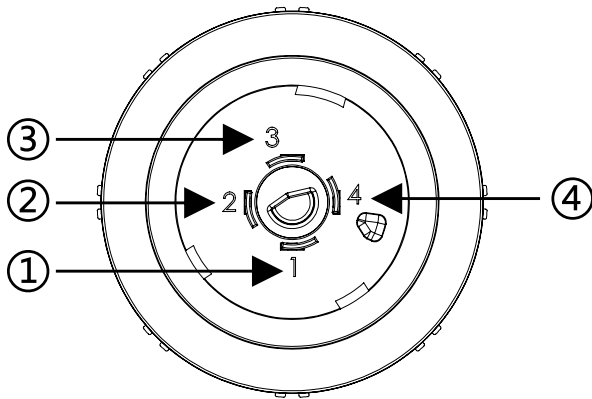
- FCC, UL, DLC, RoHS, IP65.
- Conforms with DLC NLC5 Cybersecurity Standards.



ORDERING

Part Number	Description
ULTRA-Z10	UltraLink Bluetooth NLC Wireless Receiver and Fixture Controller, EZ-Connect™ Twist Lock System, IP65, Silvair Firmware. Field installed.

CONNECTION DIAGRAM



Port 1 12-24VDC

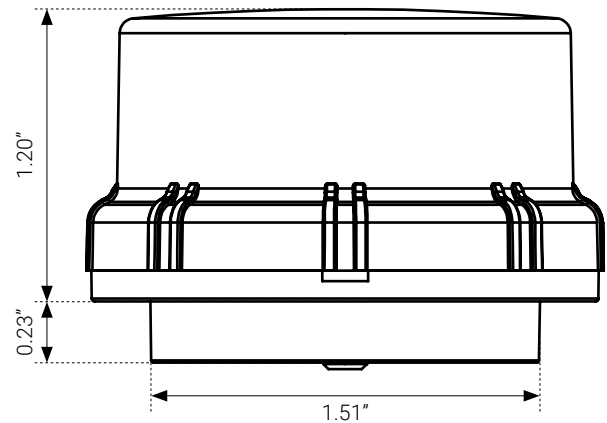
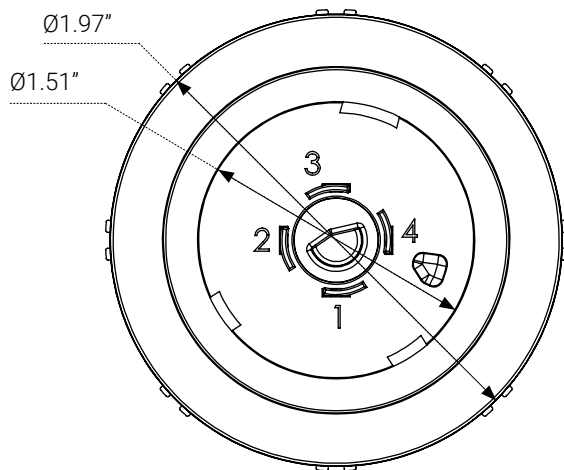
Port 2 GND/DIM-

Port 3 DIM+

Port 4 NC

DIMENSIONS & DRAWINGS

Sensor



Updated: 2024.04.24

Linmore LED Labs, Inc.

2360 S Orange Ave, Fresno, CA 93725 | 559 485 6010 | info@linmoreled.com | linmoreled.com



UltraLink is a brand of Linmore LED. All specifications are subject to change without notice. Please visit linmoreled.com for latest information. All values are typical or design values. Actual performance may differ as a result of end-user environments and applications. Consult Linmore LED with specific inquiries. Copyright © 2024, Linmore LED Labs, Inc. All rights reserved.