

PROJECT NAME		DATE	
CAT. NUMBER			
NOTES			

SPEC SHEET

Troffer Retrofit Kit (TRK)

ACE LED TROFFER



KEY FEATURES

- 2,300 to 4,400 lumens
- Up to 130 LPW
- 180° light distribution
- Estimated life >100,000 hours
- High reflectance coating
- Rapid installation



No Tools Needed

Quick assembly inside of an existing troffer in four steps without tools in less than 10 minutes. Retrofits existing 1x4, 2x2 and 2x4 troffers.



Modern Design

Transforms a traditional troffer into a modern-style LED troffer with a center lens and a 3-sided PCBA for even illumination.



Controls and Sensors

Ace LED Driver with 0-10V dimming. Plus motion and dimming sensors, photocell and wireless controls available.



TECHNICAL SPECS

SIZE	LUMEN OUTPUT	EFFICACY	WATTS	PART NUMBER
1x4	2,772	126	22	AL-TRK-14-41K-22W
	3,528	126	28	AL-TRK-14-41K-28W
2x2	2,410	134	18	AL-TRK-22-41K-18W
	2,794	127	22	AL-TRK-22-41K-22W
2x4	2,838	129	22	AL-TRK-24-41K-22W
	3,654	131	28	AL-TRK-24-41K-28W
	4,488	132	34	AL-TRK-24-41K-34W

Typical lumen output (±10%) at 120V (LV) under 25°C ambient temperature at 5000K.

Lumen Multipliers

Allows to calculate the actual lumen output for your application. Apply each multiplier to the lumens of the shaded table.

COLOR TEMP	
CCT	Multiplier
5000	1.000
4100	1.000
3500	0.990

Example: How to calculate the actual lumen output of the 2,838 model at 3500K.

- 1) Find the lumens from the shaded column.
- 2) Apply all the corresponding multipliers.

$$\begin{array}{ccccccc}
 2,838 & \times & 0.990 & = & 2,809 \\
 \text{Nominal lumens} & & \text{CCT} & & \text{Actual lumens}
 \end{array}$$

ORDERING

MODEL	SIZE	CCT	WATTAGE	OPTIONS
AL-TRK-	22 2'x2'	50K 5000K	18W	BBU-08W 8W battery backup
	24 2'x4'	41K 4100K	22W	QBM Linmore LED UltraLink
	14 1'x4'	35K 3500K	28W	LEDD Enocean Wireless Module
		Other CCT available upon request with extended lead time.	34W	MCW-BLE McWong sensor for use with UltraLink only

ORDERING EXAMPLES

Standard: AL-TRK-24-50K-22W

With Options: AL-TRK-24-50K-22W-**QBM**

ACCESSORIES *ORDERED SEPARATELY

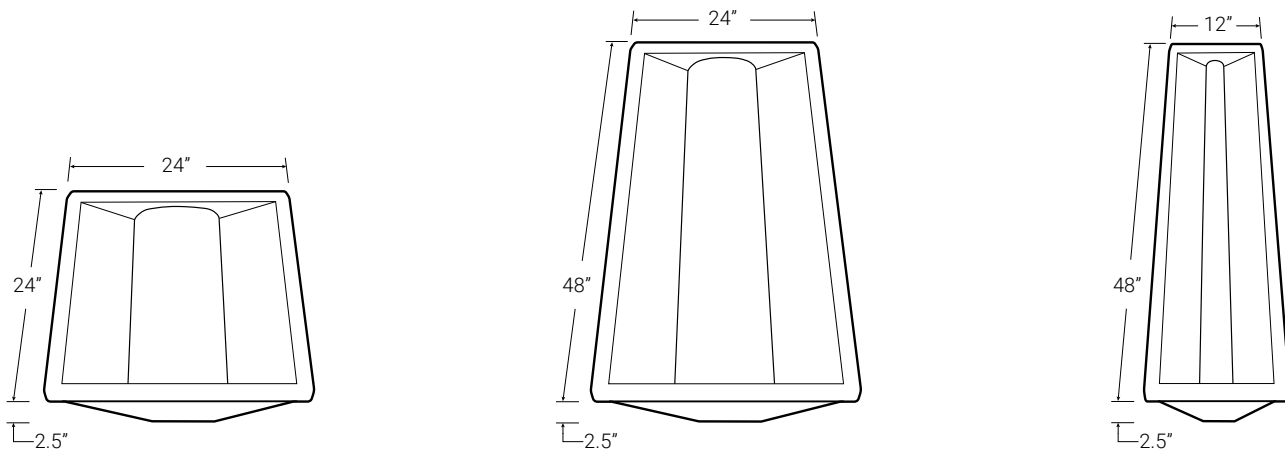
Switches

EO-ESRPB	Enocean switch. Single rocker with Bluetooth®.
EO-EDRPB	Enocean switch. Double rocker with Bluetooth®.
EO-ESRP	Enocean switch. Single rocker.
EO-EDRP	Enocean switch. Double rocker.

BATTERY BACKUP

LL-BBU-08W-001	Emergency Backup Driver with Battery, 8 Watts output for >90 minutes.
----------------	---

DIMENSIONS & DRAWINGS



DIMENSIONS

Model	Length (in)	Width (in)	Height (in)	Weight (lb)
22	24	24	2.5	9
24	48	24	2.5	15
14	48	12	2.5	10

FEATURES & SPECIFICATIONS

CONSTRUCTION

- **PCBA:** 3-sided PCBA allows for optimal light distribution.
- **Retrofit Options:** Suitable for existing 1x4, 2x2 and 2x4.
- **LEDs:** High efficacy LEDs are used to deliver maximum light output.

ELECTRICAL

- **Power Input:** 120-277V.
- **Power Factor:** >0.9 (0.99 typical).
- **Total Harmonic Distortion:** <10%.

OPERATION

- **Environment:** Dry/Damp, for interior applications.
- **Ambient Range Operation:** -40°C up to 50°C (-40°F up to 120°F).

OPTICS

- **CCT:** 3500K, 4100K and 5000K standard, other CCT available (extended lead time).
- **CRI:** >80, other CRI available (extended lead time).
- **Lenses:** Frosted, made using a high transmissive plastic lens for maximum lumen output. The three-sided LED board creates a full 180 degree light distribution with very high uniformity. No dark areas under the lens.

MOUNTING

- **Mounting:** Suitable for recessed mounting within T-Bar Grid.



CONTROLS²

- **Dimming:** 0-10V standard. Dim to OFF.
- **Sensors⁵:** Compatible with McWong sensors, and Enocean switches.
- **Networked Control Options⁴:** Compatible with Avi-on networked controls and UltraLink SIG Bluetooth[®] with Mesh Networked Controls³.

WARRANTY

- **Standard:** 10-year product warranty covers fixture and driver.

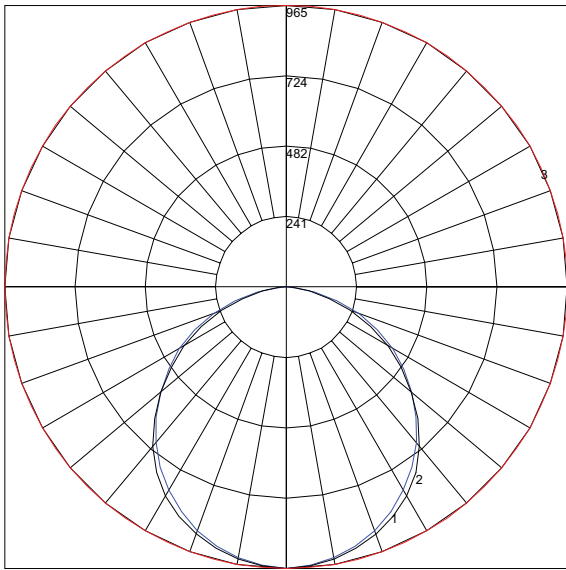
LISTINGS & CERTIFICATIONS

- Conforms to ETL listed (UL 1598:2018 Ed.4).
- RoHS compliant.
- DesignLights™ Consortium Premium.¹

LIGHT DISTRIBUTION

1x4 MODEL

Polar Graph
AL-TRK-14-35K-22W



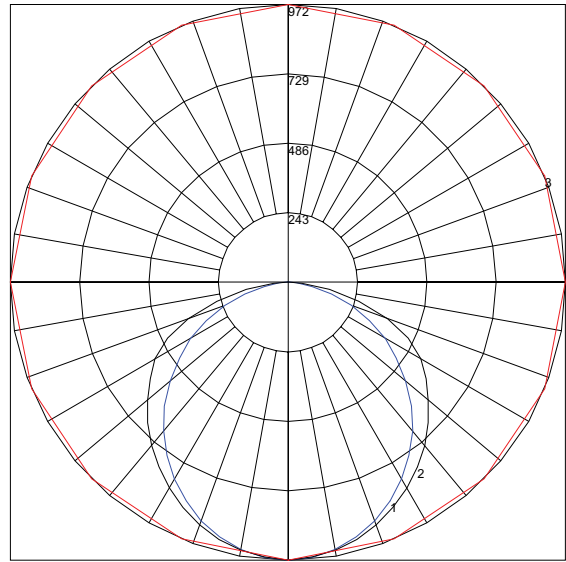
Maximum Candela: 965

Located at horizontal angle: 0, Vertical angle : 13

- #1: Vertical plane through horizontal angles (0-180)(through max Cd.)
- #2: Vertical plane through horizontal angles (90-270)
- #3: Horizontal cone through vertical angle (0)(through max Cd.)

2x2 MODEL

Polar Graph
AL-TRK-22-35K-22W



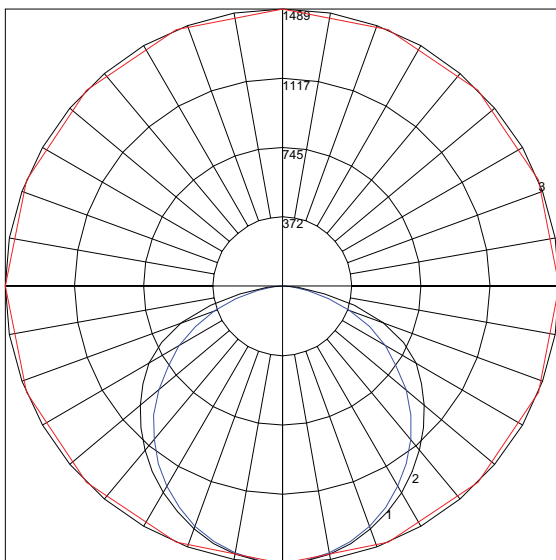
Maximum Candela: 972

Located at horizontal angle: 0, Vertical angle : 0

- #1: Vertical plane through horizontal angles (0-180)(through max Cd.)
- #2: Vertical plane through horizontal angles (90-270)
- #3: Horizontal cone through vertical angle (0)(through max Cd.)

2x4 MODEL

Polar Graph
AL-TRK-24-35K-34W



Maximum Candela: 1489

Located at horizontal angle: 0, Vertical angle : 0

- #1: Vertical plane through horizontal angles (0-180)(through max Cd.)
- #2: Vertical plane through horizontal angles (90-270)
- #3: Horizontal cone through vertical angle (0)(through max Cd.)

[Download IES Files](#)

FOOTNOTES

1. Check QPL for up-to-date listings.
2. Synapse, Daintree and Enlighted are available with extended lead time. Electrical changes and additional components required to make fixture compatible.
3. Requires Enocan switch, muRata or McWong sensor, or a gateway for complete functionality.
4. Contact factory.
5. muRata available with extended lead time. Contact factory for more information.

Linmore LED Labs, Inc.

2360 S. Orange Ave, Fresno, CA 93725

559.485.6010 | info@linmoreled.com | LinmoreLED.com



All specifications are subject to change without notice. Please visit linmoreled.com for latest information. All values are typical or design values and series averages. Actual performance may differ as a result of end-user environments and applications. Consult Linmore LED with specific inquiries. Copyright © 2021, Linmore LED Labs, Inc. All rights reserved. No part of this document may be reproduced in any form without the prior written permission of Linmore LED.

Updated: 2021.11.08