



## STAINLESS STEEL VAPOR TIGHT (SVT) \*U.S. PATENT NO. 10,054,296

Linmore LED Labs Stainless Steel Vapor Tight (SVT) Fixture is a powerful connection of an IP65 Rated Stainless Steel Enclosure and Linmore LED's powerful URS Light Bars delivering 130 lumens/watt. The Stainless Steel enclosure is a stamped, one-piece design with stainless steel latches. The SVT is an alternative to the plastic and fiberglass vapor tight enclosures that chemicals may degrade. Through a clear, polycarbonate lens, the patented URS Light Bar with high efficacy LEDs provides abundant light with glare reduction and even distribution. When the objective is to utilize a Vapor Tight fixture with the most durable enclosure, least amount of energy, and designed for decades of effective life, the Linmore Stainless Steel Vapor Tight is the clear choice.



Stainless Steel Enclosure

### HIGHLIGHTS

#### Efficacy:

- >130 Lumens per Watt
- Only High Quality LEDs used to ensure maximum light output and longevity
- Lowest Watts per Foot Candles Available

#### Construction:

- Stainless Steel Vapor Tight Enclosure
- Stainless Steel Hardware
- Stainless Steel Mounting Brackets
- IP65 rated Enclosure
- Clear Acrylic Lens, Impact Resistant
- URS™ Light Bars  
(\*Covered under U.S. Patent No. 10,054,296)
- LED Driver Enclosure
- No Glass

#### Thermal Dissipation:

- The URS heat sink extrusion is made of 6063 T5 Aluminum with substantial fins & surface area for superior heat dissipation
- Patented Air Flow Cavity
- Interior PCB Board is mechanically bonded to the aluminum extrusion heat sink

#### Electrical:

- 0-10V Dimming Driver

#### Controls:

- Optional: Wireless modules- Enocean, or other compatible systems
- Occupancy Sensors- Wet Rated

# STAINLESS STEEL VAPOR TIGHT (SVT) \*U.S. PATENT NO. 10,054,296

## Specifications

Suitability	Washdown and Wet locations IP65
Warranty	10 Years: Light Bars, 5 Years: Drivers
Driver	Dimmable 0-10V, comes with 12V output compatible with most wireless controls
Expected Life	>102,000 L90
System Wattages	26W, 36W, 44W, 60W
Efficacy	(5000K) Up to 130 Lumens/Watt
Color Temperature	3500K, 4100K, 5000K

Color Rendering Index (CRI)	>80
Lens	Clear
Operating Temperature	-40F to +120F
Power factor	0.99
Voltage	100-277V
Certifications	UL1598, FCC CFR 47, Part 15, ROHS, CUL (Canada)

## Ordering Information

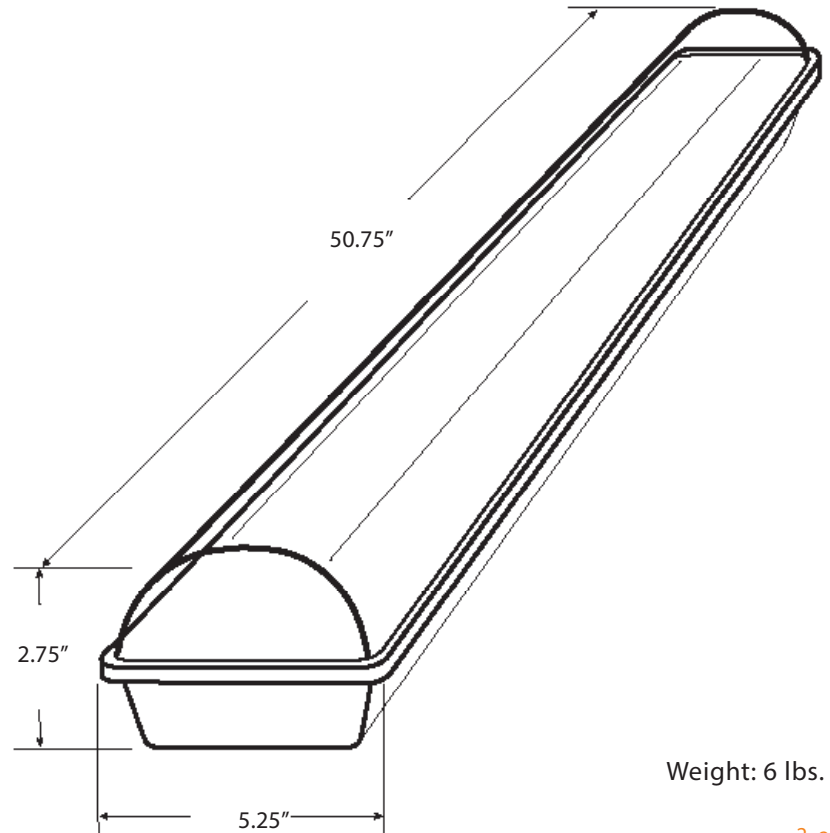
Model	Length (in ft.)	Lens	Kelvin	Wattage	Volts	SO Cord Length
LL-SVT-	4	Clear	3500K (35K)	26	120-277V (UNV)	3 STD
			4100K (41K)	36	347-480V (HV)	6
			5000K (50K)	44		11
				60		

## Example

LL-SVT-4-C-50K-xxW-3

## Lumen Output

Watts	Lumens
26	3380
36	4680
44	5720
60	7800



Weight: 6 lbs.



Specifications are Subject to Change.

2 of 2  
Modified: May 27, 2021 1:39 PM