

PROJECT NAME		DATE	
CAT. NUMBER			
NOTES			

SPEC SHEET

# Ace Strip Fixture (ST1)

## LINEAR LED STRIP FIXTURE



### KEY FEATURES

- 3,100 to 5,000 lumens
- Up to 140 LPW
- 4 feet long
- 180° light distribution
- Removable cover for quick installation
- Linkable up to 4 fixtures
- Dimmable 0-10V
- FCC CFR 47 Part 15



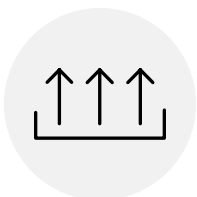
### Quick Install & Easy Access

Easily open the fixture with latches instead of disassembling with tools. Expedites installation and simplifies maintenance.



### Mechanically Linkable

Create a continuous, straight row of up to 4 fixtures for improved lighting uniformity and a cleaner look.



### Superior Thermal Management

Featuring high efficacy LEDs to deliver the maximum lumen output for its size with optimal heat dissipation.



# TECHNICAL SPECS

LUMEN OUTPUT	EFFICACY	WATTS	PART NUMBER
3,100	140	22	AL-ST1-4-50K-22WDF
5,030	140	36	AL-ST1-4-50K-36WDF

Typical lumen output (±10%) at 120V (LV) under 25°C ambient temperature at 5000K.

## Lumen Multipliers

Allows to calculate the actual lumen output for your application.

COLOR TEMP	
CCT	Multiplier
5000	1.000
4000	1.000
3500	0.960

**Example:** How to calculate the actual lumen output of the 5,030 model at 3500K.

- 1) Find the lumens from the lumen output column.
- 2) Apply all the corresponding multipliers.

$$\begin{array}{rcccl}
 5,030 & \times & 0.960 & = & 4,829 \\
 \text{Nominal lumens} & & \text{CCT} & & \text{Actual lumens}
 \end{array}$$

# ORDERING

MODEL	SIZE	CCT	WATTAGE	LENS	OPTIONS
AL-ST1-	4 48"	<b>50K</b> 5000K  <b>40K</b> 4000K  <b>35K</b> 3500K  Other CCT available upon request with extended lead time.	<b>22W</b>  <b>36W</b>  Other wattages available upon request with extended lead time.	<b>DF</b> Frosted Lens	<b>BBU-08W</b> 8 watt battery backup, for 22W fixture  <b>BBU-25W</b> 25 watt battery backup, for 36W fixtures

# ORDERING EXAMPLES

**Standard:** AL-ST1-4-40K-22WDF

**With Options:** AL-ST1-4-40K-22WDF-**BBU-08W**

# FEATURES & SPECIFICATIONS

## CONSTRUCTION

- **Components:** Only the highest quality LEDs are used to deliver the maximum amount of lumens per strip.
- **Latches:** ST1 has latches to easily open the fixture while other strips in the market have to be disassembled with tools. The easy opening latches make for an expedited installation and make the ST1 easy to maintain in future years.
- **Mechanically Linkable:** Link up to 4 ST1 fixtures using the Linkable Connector option for a straight, continuous row.



## ELECTRICAL

- **Power Input:** 120-277V.
- **Power Factor:** >0.9 (0.99 typical).
- **Total Harmonic Distortion:** <10%.

## OPERATION

- **Environment:** Dry/Damp, for interior applications.
- **Ambient Range Operation:** -40°C up to 50°C (-40°F up to 130°F).

## OPTICS

- **CCT:** 3500K, 4000K and 5000K standard, other CCT available (extended lead time).
- **CRI:** >80 standard, other CRI available (extended lead time).
- **Lenses:** Frosted lenses made using a high-quality plastic with UV inhibitors to aid against yellowing. 180° light distribution.

## CONTROLS

- **Dimming:** 0-10V standard. Dim to OFF.
- **Sensors:** Contact factory.
- **Networked Control Options:** Contact factory.

## WARRANTY

- **Standard:** 5-year product warranty covers fixture and driver.

## LISTINGS & CERTIFICATIONS

- UL 1598.
- RoHS compliant.

# ACCESSORIES

## FIXTURE ACCESSORIES

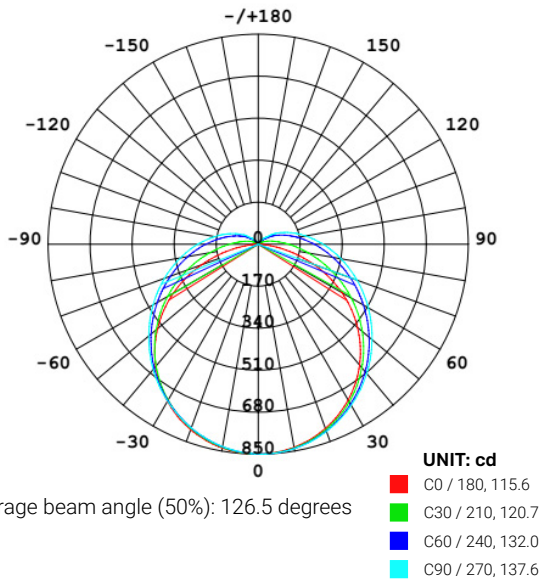
**CABLEKIT** Kit includes (2) 10 ft. aircraft "Y" cables and (2) snap hooks.

**AL-ST1-LINK** Mechanically linkable bracket.

## LIGHT DISTRIBUTION

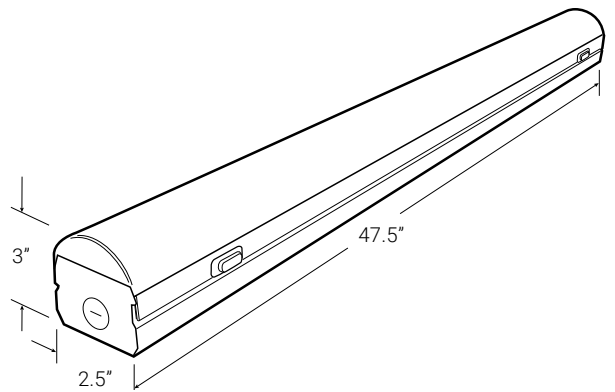
### FROSTED LENS

Polar Graph  
AL-ST1-4-50K-22W-DF



[Download IES Files](#)

## DIMENSIONS & DRAWINGS



### DIMENSIONS

Length (in)	Width (in)	Height (in)	Weight (lb)
47.5	2.5	3	5

## Linmore LED Labs, Inc.

2360 S Orange Ave, Fresno, CA 93725

559 485 6010 | [info@linmoreled.com](mailto:info@linmoreled.com) | [linmoreled.com](http://linmoreled.com)



All specifications are subject to change without notice. Please visit [linmoreled.com](http://linmoreled.com) for latest information. All values are typical or design values and series averages. Actual performance may differ as a result of end-user environments and applications. Consult Linmore LED with specific inquiries. Copyright © 2023, Linmore LED Labs, Inc. All rights reserved. No part of this document may be reproduced in any form without the prior written permission of Linmore LED.

Updated: 2023.08.23