

PROJECT NAME		DATE	
CAT. NUMBER			
NOTES			

SPEC SHEET

# Sports Lighter (SP1)

## OUTDOOR SPORTS LED LIGHT

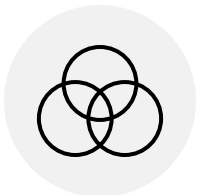


MD Model Shown



### KEY FEATURES

- Up to 180,000 Lumens
- Up to 150 LPW
- Lightweight and Durable Die-Cast Aluminum Housing
- Medium and Large Models
- Compact Design
- Instant ON/OFF
- 20kV Surge Protection
- Adjustable Tilt Angle  $\pm 90^\circ$
- Drivers can be Remotely Located



#### White, RGB and RGBW Models

Choose high-performance white illumination or dynamic color-changing options for enhanced atmosphere, and event versatility.



#### Wet Location Rated (IP65)

The fixture withstands extreme outdoor weather conditions and it is protected against dust, water, and contaminants.



#### Easy to Install and Operate

Versatile mounting options and a quick installation design helps contractors, installers and end users save time and money.

# FEATURES & SPECIFICATIONS

## CONSTRUCTION

- **Housing:** Aluminum die-cast.
- **Housing Color:** Gray. Other colors available upon request.
- **Heat Sink:** Cast aluminum.

## ELECTRICAL

- **Power Input:** 120-277V or 200-480V (50/60Hz).
- **Power Factor:** Greater than 0.9.
- **Total Harmonic Distortion:** Less than 20%.
- **Surge Protection:** 20kV/20kA, standard.

## OPERATION

- **Environment:** Wet location for exterior applications. IP65 rated.
- **Ambient Range Operation:** -40°C up to 45°C (-40°F up to 113°F).

## OPTICS

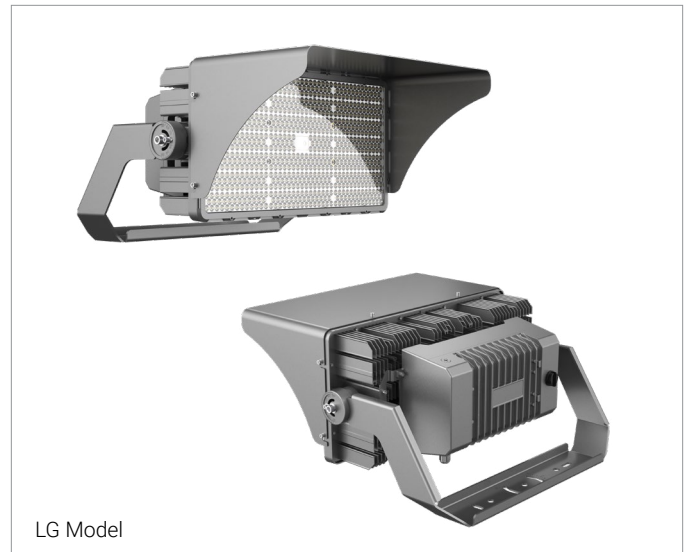
- **CCT:** 4000K, 4500K, 5000K, or 5700K. RGB and RGBW available for 119K lumen models.
- **CRI:** 70+ standard.
- **Lens<sup>3</sup>:** NEMA symmetric and asymmetric distribution patterns available (1x1, 2x2, 3x3, 4x4, 4x5, and 5x5).
- **Glare Shields:** Standard.

## MOUNTING

- **Mounting Options:** Trunnion, Slip Fitter, and Knuckle brackets.

## CONTROLS<sup>1</sup>

- **Dimming:** 0-10V standard (dimming range 100% to 10%). DALI2/D4i and DMX-RDM drivers available as an option.
- **Fast-Switching Sports Lighting Controls:** Synapse controls available as an accessory (must order DALI option). Additional accessories, services and subscriptions available, contact factory.



## WARRANTY

- **5 Year Performance Warranty:** Performance of the light fixture is guaranteed for 5 years, including lumen maintenance (L70), color temperature, and LED driver. "Defective" is considered if ten percent (10%) or more of the LEDs, per product, are non-operating LEDs, total lumen depreciation exceeds 30% (L70), or color temperature has shifted more than 500° Kelvin within the warranty period. See terms and conditions at <https://linmoreled.com/warranty>

## LISTINGS & CERTIFICATIONS

- cUL.
- UL 1598.
- RoHS compliant.
- IP65 rated.
- DesignLights™ Consortium Premium.

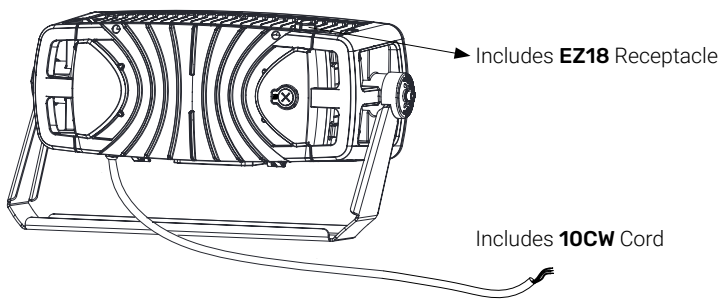
# TECHNICAL SPECS

SIZE	LUMENS	WATTS	EFFICACY	LENS	PART NUMBER
MD	90,000	600	150	N33	SP10S-A2-90K-MD-50-80-N33-LV...
MD	119,000	800	149	N33	SP10S-A2-119K-MD-50-80-N33-LV...
LG (HV only)	180,000	1200	149	N33	SP10S-A2-180K-LG-50-80-N33-HV...

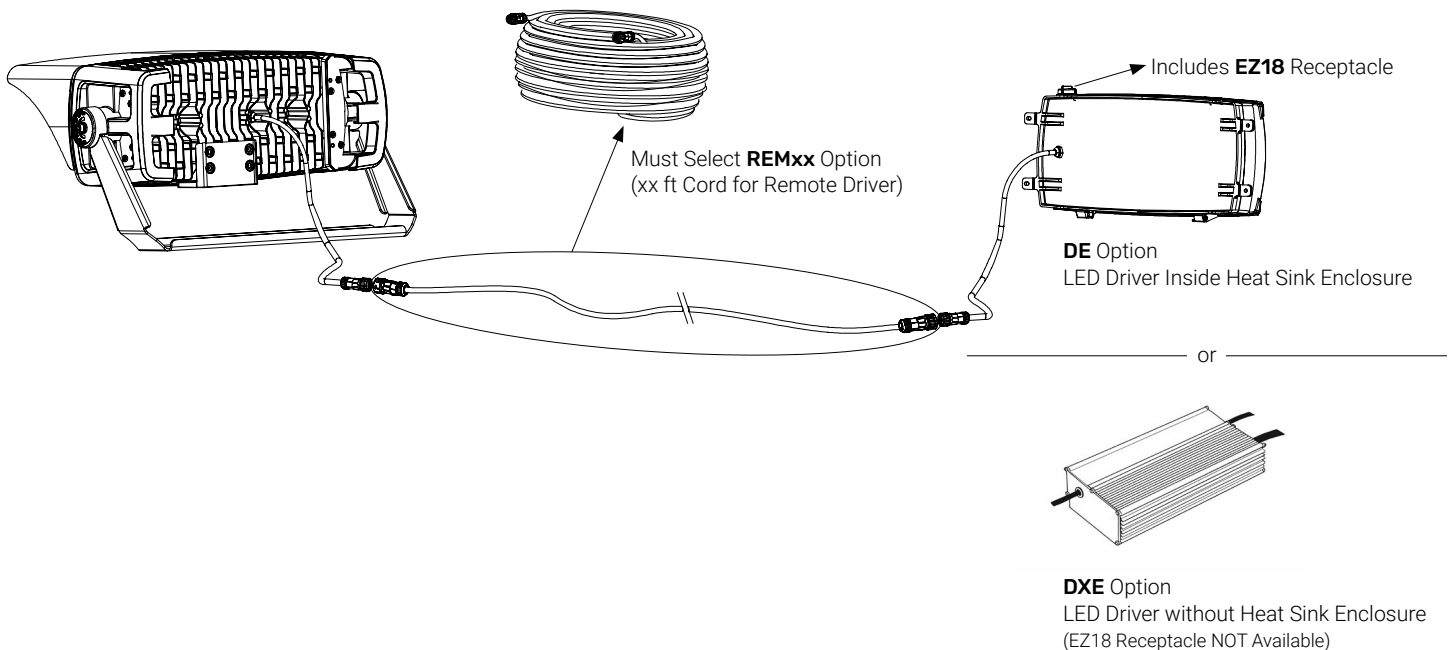
Typical lumen output ( $\pm 10\%$ ) at 277V (LV) under 25°C ambient temperature.

# MODELS

## STANDARD MODEL



## REMOTE MODEL



# ORDERING

SERIES MODEL - COMPLIANCE - LUMENS - SIZE	COLOR TEMP		CRI	LENS	VOLTAGE
<b>STANDARD MODEL</b> Fixture with LED and Driver mounted together  <b>SP10S-A2-90K-MD</b> <b>SP10S-A2-119K-MD</b> <b>SP10S-A2-180K-LG</b>  <b>REMOTE DRIVER MODEL - Must select driver and remote cord</b> Fixture with LED and Driver mounted separately.  <b>SP10R-A2-90K-MD</b> <b>SP10R-A2-119K-MD</b> <b>SP10R-A2-180K-LG</b>	<b>57</b> 5700K  <b>50</b> 5000K  <b>45</b> 4500K  <b>40</b> 4000K	<b>RGBW<sup>2</sup></b> Red, Green, Blue, White  <b>RGB</b> Red, Green, Blue  RGB/RGBW only available for 119K lumens model	<b>70</b> (Standard)	<b>N11</b> Symmetric Distribution Pattern NEMA 1x1. Beam Angle: 15°  <b>N22<sup>3</sup></b> Symmetric Distribution Pattern NEMA 2x2. Beam Angle: 20°  <b>N33</b> Symmetric Distribution Pattern NEMA 3x3. Beam Angle: 35° (MD), 30° (LG)  <b>N44<sup>3</sup></b> Symmetric Distribution Pattern NEMA 4x4. Beam Angle: 55°  <b>N45<sup>3</sup></b> Asymmetric Distribution Pattern NEMA 4x5. Beam Angle: 55°x100°  <b>N55<sup>3</sup></b> Symmetric Distribution Pattern NEMA 5x5. Beam Angle: 90°	<b>LV<sup>4</sup></b> 120-277V  <b>HV</b> 220-480V

LEAVE BLANK FOR DXE DRIVER OPTION				LEAVE BLANK FOR STANDARD MODEL			
COLOR	MOUNTING	SENSORS <sup>1</sup>	CORD	DRIVER	REMOTE DRIVER WIRE HARNESS	OPTIONS	DIMMING
<b>GRY</b> Gray  <b>CUS</b> Custom. Contact Factory.	<b>TM</b> Trunnion (Yoke) Bracket  <b>SF</b> Slip Fitter Bracket  <b>KM</b> Knuckle Bracket	<b>EZ18</b> EZ-Connect™ Receptacle with Twist Lock system and Zhaga Book 18 interface, for use with 0-10V control protocols (standard)  Sensors not included, see Controls pages for available EZ18 products	<b>10CW</b> Cord, 15A, 3-wire, no plug (standard)	<b>DE</b> LED Driver Inside Heat Sink Enclosure  <b>DXE</b> LED Driver Without Heat Sink Enclosure	<b>REM35</b> 35' Cord for Remote LED Driver. IP65 Rated.  <b>REM50</b> 50' Cord for Remote LED Driver. IP65 Rated.  <b>REM65</b> 65' Cord for Remote LED Driver. IP65 Rated.  <b>REM80</b> 80' Cord for Remote LED Driver. IP65 Rated.  <b>REM100</b> 100' Cord for Remote LED Driver. IP65 Rated.	<b>SRG20</b> 20kV/20kA Surge Protection (standard)	<b>10V</b> 0-10V  <b>DALI</b> DALI2/D4i (Must order DALI for Synapse controls)  <b>DMX</b> DMX-RDM

Ordering Example for Standard Model: SP10S-A2-119K-MD-50-70-N33-LV-GRY-TM-EZ18-10CW-SRG20-10V



Ordering Example for Remote Model (DE): SP10R-A2-119K-MD-50-70-N33-LV-GRY-TM-EZ18-10CW-DE-REM50-SRG20-10V

Ordering Example for Remote Model (DXE): SP10R-A2-119K-MD-50-70-N33-LV-GRY-TM-DXE-REM50-SRG20-10V




# CONTROLS

Controls are field installed, must be ordered as a new line item and will ship in a separate box.


## FIXTURE CONTROLLERS

Part Number	Description
 <b>SYN-ZHA-S1</b>	Synapse Wireless Receiver and Fixture Controller, SimplySnap, SNAP Mesh Networking, DALI2/D4i, EZ-Connect Twist Lock System, Plug & Play, IP66. For use with standard model only.
 <b>SYN-DIM10-087-06A</b>	Synapse Wireless Receiver and Fixture Controller, SimplySnap, SNAP Mesh Networking, DALI2/D4i. Requires Antenna (sold separately). For use with remote models only.



## ANTENNAS (Only required with SYN-DIM10-087-06A. Choose one antenna per controller)

Part Number	Description
 <b>SYN-ANT-ORB-1.5-1</b>	Outdoor Right Angle Antenna, 1.5 dBi gain, IP65.
 <b>SYN-ANT-OSB-1.5-5</b>	Outdoor Straight Antenna, 1.5 dBi gain, IP65.
 <b>SYN-ORS-5.1</b>	Outdoor Right Angle Stubby Antenna, -5 dBi gain, IP65.

## GATEWAY & SERVICES (Required with each Synapse Project)

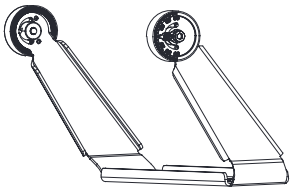
Part Number	Description
 <b>SYN-CBSSW-450-002</b>	Enclosed Site Controller with 5-Button Switch, 25 Scenes, SimplySnap, SNAP Mesh Networking, Ethernet/Wi-Fi/4G Connectivity, NEMA 4X, IP65 (when latched), 110-277VAC, 6kV Surge Protection. Optional Software License for Dynamic Lighting Effects (contact factory).
<b>SYN-REMOTE-BASE</b>	Remote Activation.

## ACCESSORIES

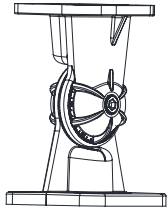
Part Number	Description
 <b>SYN-WSW-02-PS</b>	Wireless Switch, 2 Buttons, Single-Gang, 12V Power Supply, SimplySnap, SNAP Mesh Networking.
 <b>SYN-WSW-08-PS</b>	Wireless Switch, 8 Buttons, Single-Gang, 12V Power Supply, SimplySnap, SNAP Mesh Networking.

Contact factory for additional accessories, services and subscriptions.

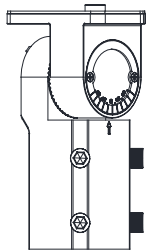
# MOUNTING BRACKETS



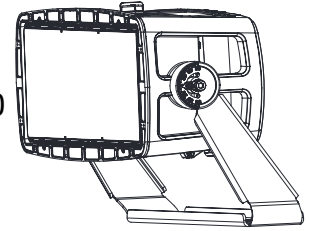
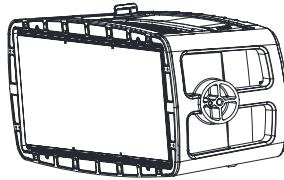
Trunnion (TM)



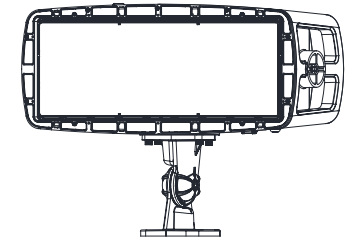
Knuckle (KM)



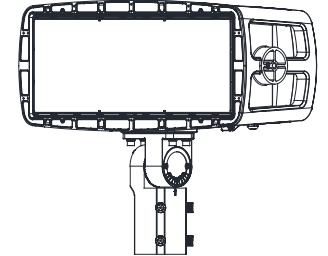
Slip Fitter (SF)



Trunnion (TM)



Knuckle (KM)



Slip Fitter (SF)

# ACCESSORIES

Must be ordered separately. Packaged separately.

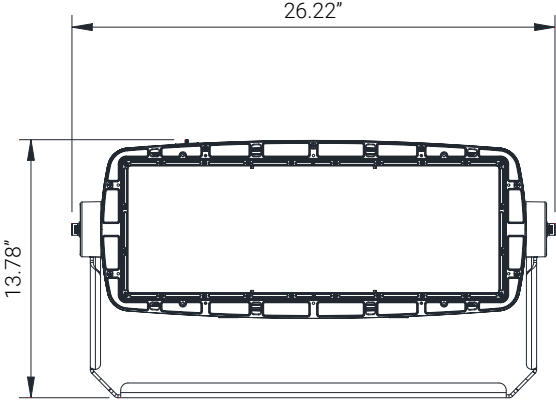
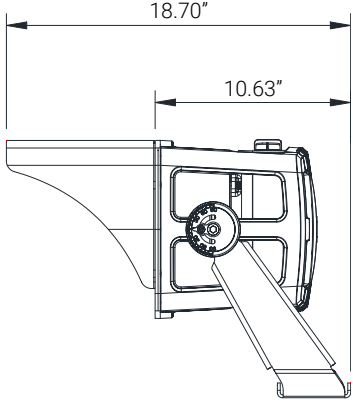
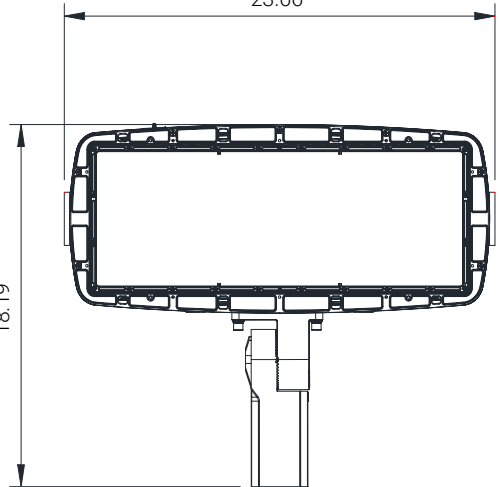
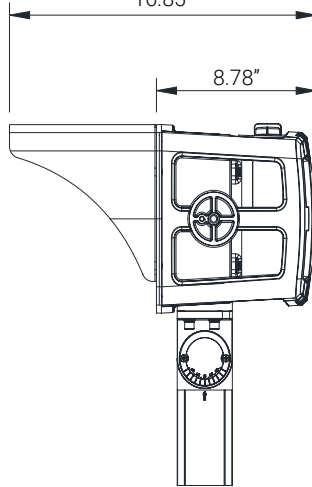
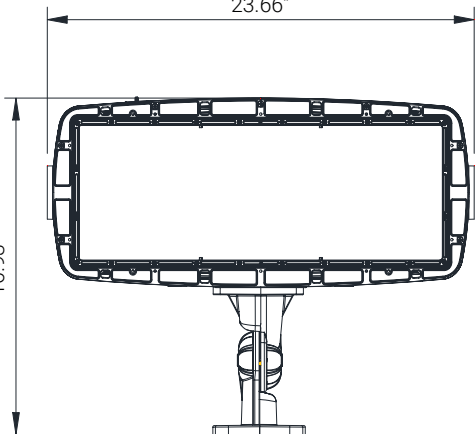
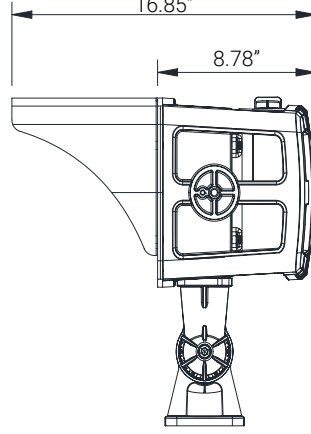
## ACCESSORIES

<b>LP</b>	Green Laser Pen. Battery Not Included. Requires One 18650 Battery.
<b>CAB-10K-6D-LV</b>	10 KW Driver Cabinet with 6 driver capacity for 120-277V.
<b>CAB-10K-6D-HV</b>	10 KW Driver Cabinet with 6 driver capacity for 200-480V.
<b>CAB-10K-8D-LV</b>	10 KW Driver Cabinet with 8 driver capacity for 120-277V.
<b>CAB-10K-8D-HV</b>	10 KW Driver Cabinet with 8 driver capacity for 200-480V.



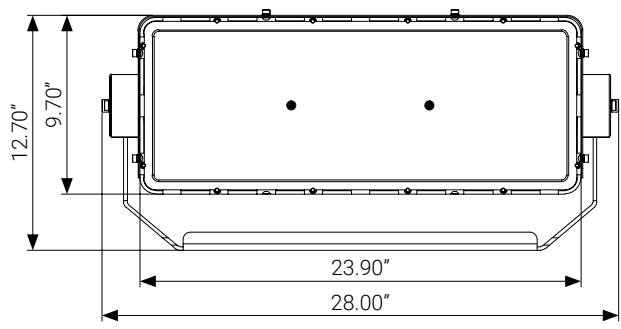
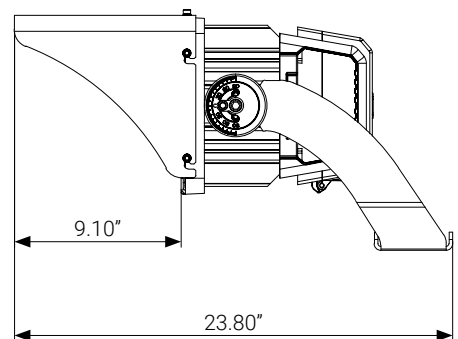
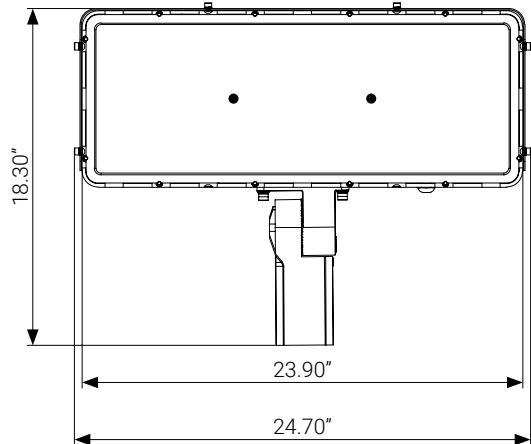
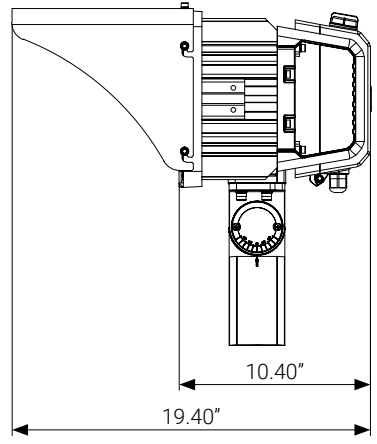
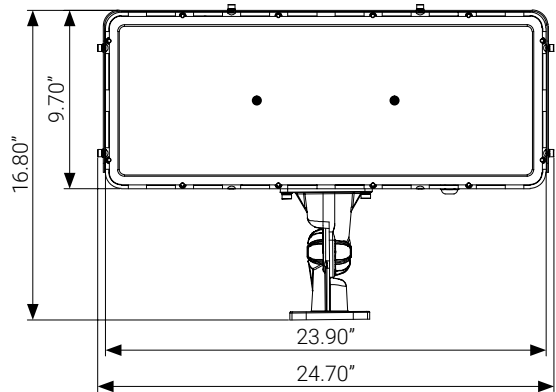
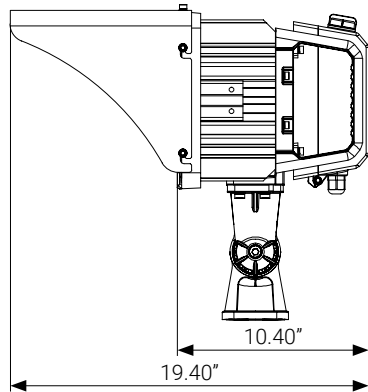
# DIMENSIONS & DRAWINGS

## MD MODEL

TM	 <p>26.22"</p> <p>13.78"</p>	 <p>18.70"</p> <p>10.63"</p>
SF	 <p>23.66"</p> <p>18.19"</p>	 <p>16.85"</p> <p>8.78"</p>
KM	 <p>23.66"</p> <p>16.93"</p>	 <p>16.85"</p> <p>8.78"</p>

# DIMENSIONS & DRAWINGS

## LG MODEL

<b>TM</b>		
<b>SF</b>		
<b>KM</b>		

## EPA RATINGS

---

SIZE	EPA RATING
MD	2.00 ft <sup>2</sup>
MD	2.00 ft <sup>2</sup>
LG	2.31 ft <sup>2</sup>

## FOOTNOTES

---

1. The performance of sensors and lenses is influenced by various factors beyond Linmore LED's control, including but not limited to environmental conditions, user settings, and proper maintenance. While we provide detailed specifications and guidelines to help optimize performance, we cannot guarantee or be held liable for the performance of sensors or lenses under any particular circumstance(s). Customers are advised to test the products in their specific application environments to ensure suitability for their intended use and are responsible for all sensor and lens selections.
2. RGBW not available in Remote models.
3. N22, N44, N45, N55 optics not available with RGB and RGBW.
4. LV not available in LG models.

### Linmore

2360 S Orange Ave, Fresno, CA 93725  
559 485 6010 | [info@linmoreled.com](mailto:info@linmoreled.com) | [linmoreled.com](http://linmoreled.com)



All specifications are subject to change without notice. Please visit [linmoreled.com](http://linmoreled.com) for latest information. All values are typical or design values and series averages. Actual performance may differ as a result of end-user environments and applications. Consult Linmore LED with specific inquiries. Copyright © 2026, Linmore LED Labs, Inc. All rights reserved. No part of this document may be reproduced in any form without the prior written permission of Linmore LED.

Updated: 2026/05/20