

PROJECT NAME		DATE	
CAT. NUMBER			
NOTES			

SPEC SHEET

RAPIDLINK[®] BAR (RLB)

LINEAR LED LIGHT



KEY FEATURES

- 1,600 to 3,200 lumens
- Up to 161 LPW
- Link up to 40 bars
- 180° light distribution
- Easy maintenance
- Custom lengths from 1' to 8' (2'-4' standard)



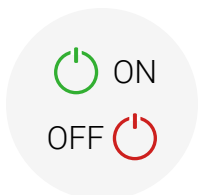
Guaranteed Performance

Performance of the light fixture is guaranteed for 7 years, including lumen output (L70), color temperature, and LED driver.



Simple, Rapid Installation

System of bars, cords and mounting clips designed to save time and money. Link up to 40 bars with a single electrical connection.



Controls and Sensors

For use with ON / OFF sensors and relays only. Multiple options available.



TECHNICAL SPECS

SIZE	LUMEN OUTPUT	EFFICACY	WATTS	PART NUMBER
2'	1,617	147	11	LL-RLB-2-11W-41K-F-M-G3
4'	1,738	158	11	LL-RLB-4B-11W-41K-F-M-G3
4'	3,476	158	22	LL-RLB-4B-22W-41K-F-M-G3
8'	6,952	158	44	LL-RLB-8-44W-41K-F-M-G3

Typical lumen output (±10%) at 120V (LV) under 25°C ambient temperature at 4100K.

Lumen Multipliers

Allows to calculate the actual lumen output for your application.

COLOR TEMP	
CCT	Multiplier
5000	1.000
4100	0.990
3500	0.980

Example: How to calculate the actual lumen output of the 3,542 model at 3500K.

- 1) Find the lumens from the shaded column.
- 2) Apply all the corresponding multipliers.

$$\begin{array}{ccccccc}
 3,476 & \times & 0.980 & = & 3,406 \\
 \text{Nominal lumens} & & \text{CCT} & & \text{Actual lumens}
 \end{array}$$

ORDERING

SERIES MODEL	LENGTH	WATTAGE	COLOR TEMP	LENS	GENERATION
LL-RLB	2 22" 4B 44" 8 92"	11W 22W 44W	50K 5000K 41K 4100K 35K 3500K Other CCT available upon request	F Frosted lens	M-G3 Gen 3

*Includes 25 RLB bars per case.

ORDERING EXAMPLES

Standard: LL-RLB-4B-11W-35K-F-M-G3

ACCESSORIES

Must be ordered separately. Packaged separately.

POWER

Part Number	Description
LL-RLB-IPC-36	RLB System Incoming Power Cord, 36"
LL-RLB-IPC-48	RLB System Incoming Power Cord, 48"
LL-RLB-IPC-60	RLB System Incoming Power Cord, 60"
LL-RLB-IPC-96	RLB System Incoming Power Cord, 96"

LINKING

LL-RLB-LPC-4	RLB System Linking Power Cord, 4" (3.5" Installed)
LL-RLB-LPC-6	RLB System Linking Power Cord, 6" (5.5" Installed)
LL-RLB-LPC-8	RLB System Linking Power Cord, 8" (7" Installed)
LL-RLB-LPC-12	RLB System Linking Power Cord, 12"
LL-RLB-LPC-18	RLB System Linking Power Cord, 18"
LL-RLB-LPC-24	RLB System Linking Power Cord, 24"
LL-RLB-LPC-36	RLB System Linking Power Cord, 36"
LL-RLB-LPC-48	RLB System Linking Power Cord, 48"
LL-RLB-LBC	RLB System Linking Butt Connector

MOUNTING

LL-RLB-MC1	RLB System Mounting Clip without Magnet. Dimensions: 1.5"Lx5"W.
LL-RLB-MCM	RLB System Mounting Clip with Magnet. Dimensions: 1.5"Lx5"W. Mounting depth up to .25" for each magnet.
LL-RLB-MCA	RLB System Mounting Clip with 4" Swivel Arm
LL-RLB-BC	RLB Blade Clip. System Mounting Clip with 4" Swivel Arm

BACKUP BATTERY

LL-BBU-16W-001-HV	16W battery backup. Input 120-277V. Output 170VAC. For use with 11W RLB.
LL-BBU-25W-001-HV	25W battery backup. Input 120-277V. Output 170VAC. For use with 22W RLB.

Channels, channel covers and ballast cover available. Contact factory for more information.

FEATURES & SPECIFICATIONS

CONSTRUCTION

- **Housing:** Extruded aluminum. Plastic end caps.
- **LED Board:** LEDs are populated onto an aluminum core board creating a steady flow of heat into the aluminum bar.
- **Power Supply Access:** Robust and grounded linking power cords.
- **LEDs:** Only high quality LEDs are used to deliver maximum light output and longevity.



ELECTRICAL

- **Power Input:** 120-277V (50/60Hz). Optional 347V.⁷
- **Power Factor:** >0.93 (0.99 typical).
- **Total Harmonic Distortion:** <12%.
- **Male / Female Connections:** Molded into end caps.
- **Linking:** Up to 40 RapidLink Bars (2' and 4' models) can be linked using a single electrical connection. Up to 20 bars for 8' models.⁴
- **Emergency Battery Backup:** Optional. Contact factory.⁵

OPERATION

- **Environment:** Dry/Damp, for interior applications.
- **Ambient Range Operation:** -35°C up to 50°C (-30°F up to 120°F).

OPTICS

- **CCT:** 3500K, 4100K and 5000K standard, other CCT available (extended lead time).
- **CRI:** >80, other CRI available (extended lead time).
- **Lenses:** Frosted polycarbonate lens. 180° beam angle. No glass.

MOUNTING

- **Mounting:** Installation screws are included for integral end-cap or bracket mounting options. Each bar comes with 2 mounting clips.
- **Installation Aid:** Molded end cap with embedded rare earth magnet to assist in the installation process.
- **Optional:** System mounting clip with 4" swivel arm available. Consult factory.

CONTROLS^{1,3}

- **Sensors:** Enocean switches, relays and sensors, and McWong sensors.
- **Networked Control Options:** Compatible with UltraLink SIG Bluetooth® with Mesh Networked Controls². For ON / OFF functionality (no dimming), a Fulham or BubblyNet relay is required.

WARRANTY

- **7 Year Performance Warranty:** Performance of the light fixture is guaranteed for 7 years, including lumen maintenance (L70), color temperature, and LED driver. "Defective" is considered if ten percent (10%) or more of the LEDs, per product, are non-operating LEDs, total lumen depreciation exceeds 30% (L70), or color temperature has shifted more than 500° Kelvin within the warranty period. See terms and conditions at <https://linmoreled.com/warranty>

LISTINGS & CERTIFICATIONS

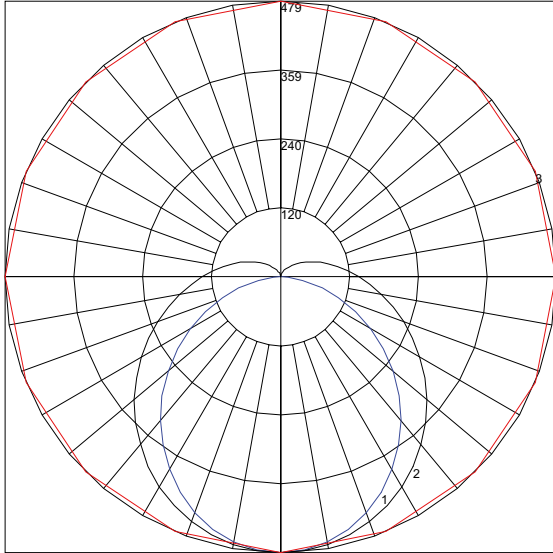
- UL 1598
- RoHS
- NSF rated



LIGHT DISTRIBUTION

4' 11W LED BAR

LL-RLB-4B-11W-50K-F
Polar Graph



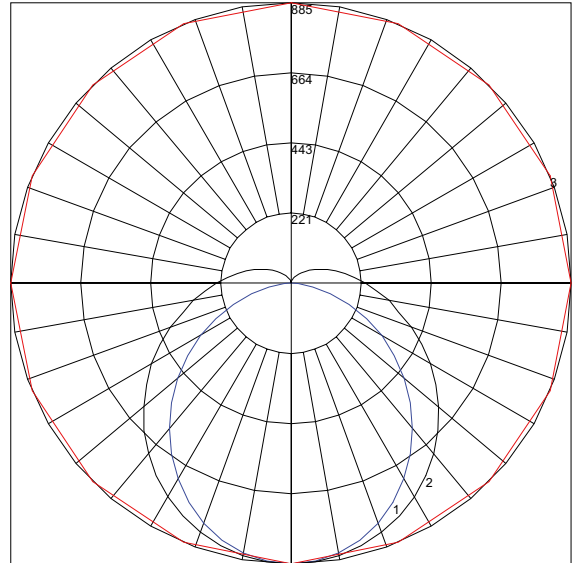
Maximum Candela: 479.12

Located at horizontal angle: 0, Vertical angle : 0

- #1: Vertical plane through horizontal angles (0-180)(through max Cd.)
- #2: Vertical plane through horizontal angles (90-270)
- #3: Horizontal cone through vertical angle (0)(through max Cd.)

4' 22W LED BAR

LL-RLB-4B-22W-50K-F
Polar Graph



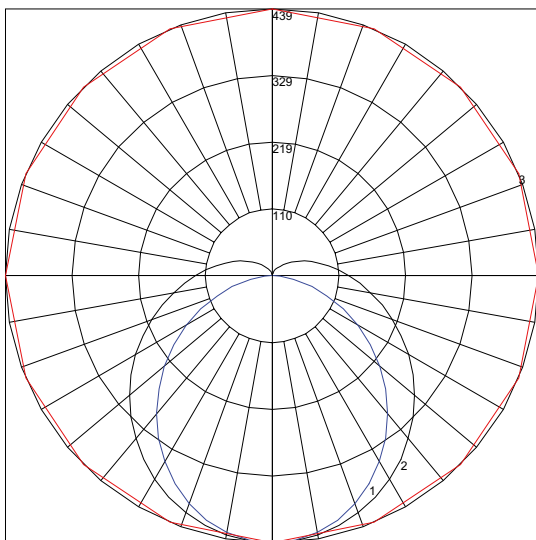
Maximum Candela: 885.01

Located at horizontal angle: 0, Vertical angle : 0

- #1: Vertical plane through horizontal angles (0-180)(through max Cd.)
- #2: Vertical plane through horizontal angles (90-270)
- #3: Horizontal cone through vertical angle (0)(through max Cd.)

2' 11W LED BAR

LL-RLB-2-11W-50K-F
Polar Graph



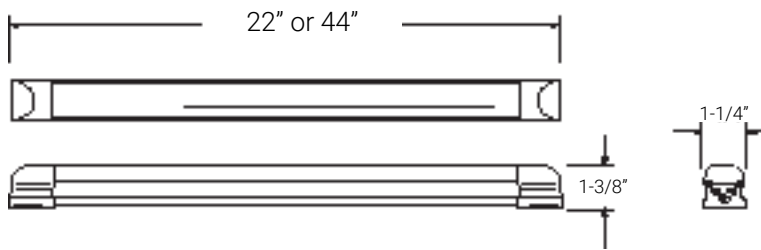
Maximum Candela: 438.53

Located at horizontal angle: 0, Vertical angle : 0

- #1: Vertical plane through horizontal angles (0-180)(through max Cd.)
- #2: Vertical plane through horizontal angles (90-270)
- #3: Horizontal cone through vertical angle (0)(through max Cd.)

[Download IES Files](#)

DIMENSIONS & DRAWINGS



DIMENSIONS

Size	Length (in)	Width (in)	Height (in)	Weight (lb)
2	22	1.25	1 3/8	0.5
4	44	1.25	1 3/8	1

FOOTNOTES

1. ON / OFF only via relay. No dimming.
2. Requires EnOcean switch, McWong sensor or a gateway for complete functionality.
3. Synapse, Daintree and Enlighted are available with extended lead time. Electrical changes and additional components required to make fixture compatible.
4. Based on 20-amp circuit at 120V.
5. See ACCESSORIES for correct model number.
6. Made to order. Contact factory for lead time.
7. Not carried in stock in the warehouse. Longer lead time.

Linmore LED Labs, Inc.

2360 S Orange Ave, Fresno, CA 93725

559 485 6010 | info@linmoreled.com | linmoreled.com



All specifications are subject to change without notice. Please visit linmoreled.com for latest information. All values are typical or design values and series averages. Actual performance may differ as a result of end-user environments and applications. Consult Linmore LED with specific inquiries. Copyright © 2023, Linmore LED Labs, Inc. All rights reserved. No part of this document may be reproduced in any form without the prior written permission of Linmore LED.