

PROJECT NAME		DATE	
CAT. NUMBER			
NOTES			

SPEC SHEET

Parking Garage Fixture (PGF)

GARAGE LED FIXTURE



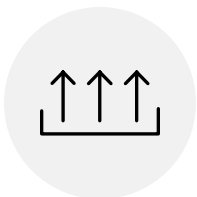
KEY FEATURES

- 5,400 to 11,000 lumens
- IP65 / IK08 rated
- Hinges offer easy internal access
- Tool-less entry for easy maintenance
- 180° light distribution
- Microwave sensor available
- L70: 142,000 hrs
(estimated as per TM-21)



Unique, Quality Lens

Domed, conical design creates a wide distribution of light, ideal for parking garages and applications where fixtures are spaced farther apart.



Aluminum Construction

The housing made of aluminum provides ample heat dissipation to ensure longer life and higher performance.



Multiple Mounting Options

The fixture comes with knock-outs on all 4 sides for conduit connections and can be surface or pendant mounted as well.



TECHNICAL SPECS

LUMEN OUTPUT	EFFICACY	WATTS	PART NUMBER
5,446	133	41	LL-PGF-50K-40W
7,768	125	62	LL-PGF-50K-60W
10,930	133	82	LL-PGF-50K-80W

Typical lumen output ($\pm 10\%$) at 120V (LV) under 25°C ambient temperature at 5000K.

ORDERING

SERIES MODEL	CCT	WATTAGE	OPTIONS
LL-PGF-	50K 5000K 40K 4000K Other CCT available upon request.	40W 60W 80W Other wattages available upon request.	BBU-10W 10W back up battery MS Microwave sensor

ORDERING EXAMPLES

Standard: LL-PGF-40K-40W

With Options: LL-PGF-40K-40W-MS

ACCESSORIES

ADD-ONS	
HOOK	Hook Mount and SO Cord Kit: Threaded Hook and 3' SO Cord (deletes IP65 Rating). ⁵
LL-PGF-MS-REM	PGF Microwave Sensor Remote for Sensor Set Up.

FEATURES & SPECIFICATIONS

CONSTRUCTION

- **Housing:** IP65 rated housing made of aluminum for optimal heat dissipation.
- **Hinges:** Open for easy internal access.
- **Knock-outs:** 1/2" knock-outs on all 4 sides for conduit connections.
- **LEDs:** Only high quality LEDs are used to deliver maximum light output and longevity.



ELECTRICAL

- **Power Input:** 120-277V (50/60Hz).
- **Power Factor:** >0.9 (0.99 typical).
- **Total Harmonic Distortion:** <10%.

OPERATION

- **Environment:** IP65 and IK08 rated, ideal for parking garages and canopies.
- **Ambient Range Operation:** -40°C up to 50°C (-40°F up to 122°F).



OPTICS

- **CCT:** 4000K and 5000K standard, other CCT available (extended lead time).
- **CRI:** >80, (84 typical). Other CRI available (extended lead time).
- **Lens:** Frosted with a domed, conical design made with a high transmissive plastic to ensure maximum light output. 180° beam angle creates a wide distribution of light.

MOUNTING

- **Mounting:** Hook mount. The fixture has 1/2" knock-outs on all 4 sides for conduit connections and a 1/2" knock-out on top for pendant mount.

CONTROLS²

- **Dimming:** 0-10V standard. Dim to OFF.
- **Sensors:** Compatible with EnOcean switches.
- **Networked Control Options:** UltraLink SIG Bluetooth[®] with Mesh Networked Controls³. Contact factory.

WARRANTY

- **5 Year Performance Warranty:** Performance of the light fixture is guaranteed for 5 years, including lumen maintenance (L70), color temperature, and LED driver. "Defective" is considered if ten percent (10%) or more of the LEDs, per product, are non-operating LEDs, total lumen depreciation exceeds 30% (L70), or color temperature has shifted more than 500° Kelvin within the warranty period. See terms and conditions at <https://linmoreled.com/warranty>

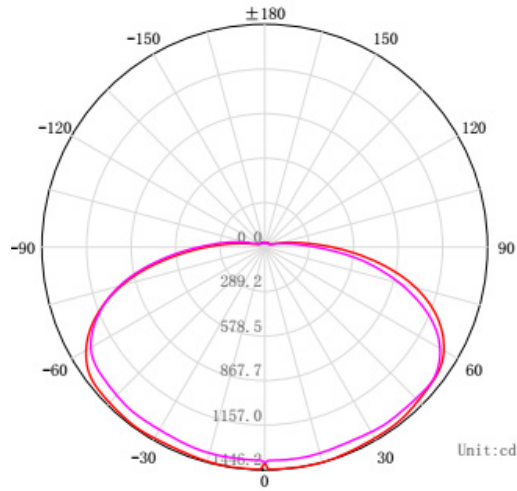
LISTINGS & CERTIFICATIONS

- ETL listed.
- RoHS compliant.
- IP65.
- IK08.
- DesignLights™ Consortium Premium.



LIGHT DISTRIBUTION

FROSTED LENS



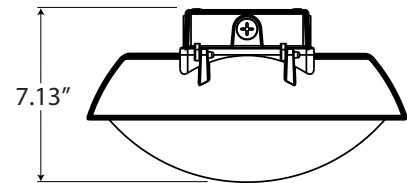
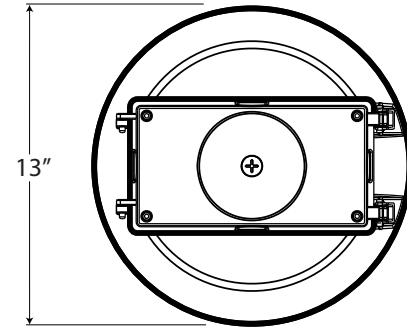
C Plane	[50%MaxAng.]	[10%MaxAng.]
C0. 0_180.0	163.8	200.7
C90. 0_270.0	163.1	202.3

[Download IES Files](#)

DIMENSIONS & DRAWINGS

DIMENSIONS

Diameter	Height (in)	Weight (lb)
13.00	7.13	7



FOOTNOTES

1. Check QPL for up-to-date listings.
2. Synapse, Daintree and Enlighted controls are available with extended lead time. Electrical changes and additional components required to make fixture compatible.
3. Requires Enocan switch or a gateway for complete functionality.
4. Contact your regional sales director.
5. Not IP65 rated when HOOK is installed.

Linmore LED Labs, Inc.

2360 S Orange Ave, Fresno, CA 93725

559 485 6010 | info@linmoreled.com | linmoreled.com



All specifications are subject to change without notice. Please visit linmoreled.com for latest information. All values are typical or design values and series averages. Actual performance may differ as a result of end-user environments and applications. Consult Linmore LED with specific inquiries. Copyright © 2023, Linmore LED Labs, Inc. All rights reserved. No part of this document may be reproduced in any form without the prior written permission of Linmore LED.

Updated: 2023.10.17