

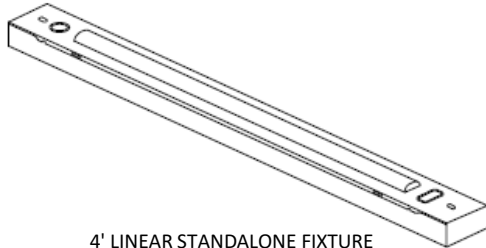
INSTALLATION INSTRUCTIONS

LINEAR SERIES

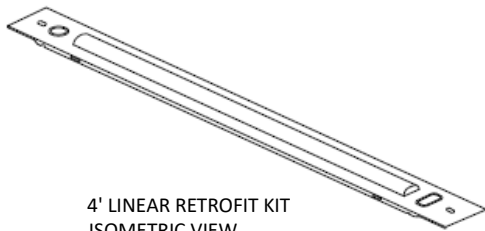


IMPORTANT: READ ALL INSTRUCTIONS THOROUGHLY AND CAREFULLY PRIOR TO INSTALLATION OF LINEAR SERIES FIXTURES AND RETAIN FOR FUTURE REFERENCE.

The LINEAR Series of commercial and industrial LED fixtures is designed to be used in utility strip applications using suspension or surface mount installation. The LINEAR Series is designed for use in 120 – 277V, 50/60Hz protected (max 20A) circuits. Size line voltage Service wire as required per the National Electric Code (NEC).



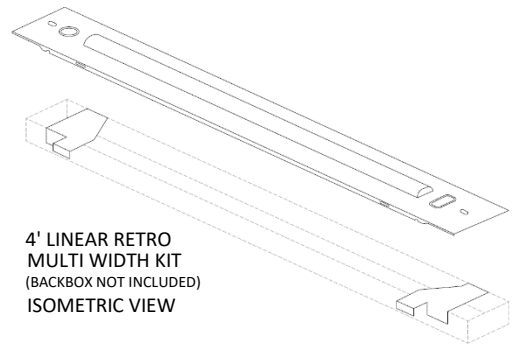
4' LINEAR STANDALONE FIXTURE
ISOMETRIC VIEW



4' LINEAR RETROFIT KIT
ISOMETRIC VIEW

These instructions apply to the following part numbers:

LR30S-Ax-xK-04-[xxx]-LV-FXT-[xxx]-10V
LR30S-Ax-xK-08-[xxx]-LV-FXT-[xxx]-10V
LR30S-Ax-xK-12-[xxx]-LV-FXT-[xxx]-10V
LR30S-Ax-xK-04-[xxx]-LV-RTR-[xxx]-10V
LR30S-Ax-xK-08-[xxx]-LV-RTR-[xxx]-10V
LR30S-Ax-xK-12-[xxx]-LV-RTR-[xxx]-10V
LR30S-Ax-xK-04-[xxx]-LV-RMW-[xxx]-10V
LR30S-Ax-xK-08-[xxx]-LV-RMW-[xxx]-10V
LR30S-Ax-xK-12-[xxx]-LV-RMW-[xxx]-10V



4' LINEAR RETRO
MULTI WIDTH KIT
(BACKBOX NOT INCLUDED)
ISOMETRIC VIEW

GENERAL NOTES:

1. MAKE SURE ALL WIRE AND CONNECTORS ARE UL-LISTED. IF THE ELECTRICAL SYSTEM CONTAINS NO GROUND WIRE, CONSULT WITH A QUALIFIED ELECTRICIAN BEFORE PROCEEDING WITH THE INSTALLATION.
2. SUSPENSION CABLE, CHAIN OR CEILING JUNCTION BOX PROVIDED BY CONTRACTOR SHALL BE RATED TO SUPPORT WEIGHT OF FIXTURE(S) – INCLUDING ALL ASSESSORIES AND OPTIONS. AIRCRAFT SUSPENSION CABLE MAY BE ORDERED SEPARATELY FROM LINMORE LED OR OTHERWISE PROVIDED BY CONTRACTOR.

ITEMS NOT INCLUDED:

(BUT REQUIRED FOR INSTALLATION):

PERSONAL PROTECTIVE EQUIPMENT

- SCREWDRIVER
- PLIERS
- SUPPLY CONDUCTORS (BUILDING LINE POWER)
- RECEPTACLE (IF APPLICABLE)

ITEMS INCLUDED:

- LINEAR LED LIGHT FIXTURE (FXT, RTR OR RMW)
- CORD AND PLUG (OPTIONAL; SOLD SEPARATELY)
- MAY ALSO INCLUDE SOME OPTIONAL ACCESSORIES (IF ORDERED)

REFER TO SPECIFICATION SHEET FOR ALL POSSIBLE OPTIONS.





IMPORTANT: READ ALL INSTRUCTIONS THOROUGHLY AND CAREFULLY PRIOR TO INSTALLATION OF LINEAR SERIES FIXTURES AND RETAIN FOR FUTURE REFERENCE.

WARNING:

FAILURE TO FOLLOW THESE INSTRUCTIONS MAY RESULT IN DEATH, SERIOUS INJURY OR SIGNIFICANT PROPERTY DAMAGE.

THIS PRODUCT MUST BE INSTALLED IN ACCORDANCE WITH APPLICABLE BUILDING AND ELECTRICAL CODES, BY A QUALIFIED PERSON WHO IS FAMILIAR WITH THE CONSTRUCTION AND OPERATION OF THE PRODUCT AND THE HAZARDS INVOLVED. CE PRODUIT DOIT ÊTRE INSTALLÉ SELON LE CODE D'INSTALLATION PERTINENT, PAR UNE PERSONNE QUI CONNAÎT BIEN LE PRODUIT ET SON FONCTIONNEMENT AINSI QUE LES RISQUES INHÉRENTS

- FULLY INSPECT LENS AND HOUSING OF THE FIXTURE PRIOR TO INSTALLATION. IF DAMAGED, NOTIFY FACTORY.
- TO AVOID ELECTRIC SHOCK: DISCONNECT ELECTRICAL POWER (LINE POWER) BEFORE AND DURING INSTALLATION AND MAINTENANCE.
- VERIFY SUPPLY VOLTAGE IS SAME AS RATED FIXTURE VOLTAGE. THE ELECTRICAL RATINGS OF THE FIXTURE ARE CLEARLY INDICATED ON THE PRODUCT LABEL.
- SUITABLE FOR DRY AND DAMP LOCATIONS ONLY.
- BE CAUTIOUS OF ANY SHARP EDGES. WEAR PROPER SAFETY GEAR (SUCH AS GLOVES AND SAFETY GLASSES) WHILE HANDLING.

CAUTION - RISK OF PERSONAL INJURY

ACCOUNT FOR SMALL PARTS AND DESTROY PACKING MATERIAL, AS THESE MAY BE HAZARDOUS TO CHILDREN

CAUTION - RISK OF FIRE

- MINIMUM 90° C SUPPLY CONDUCTORS.
- NOT INTENDED FOR RECESSED INSTALLATION IN CEILINGS OR SOFFITS.

WARNING -

- RISK OF FIRE OR ELECTRIC SHOCK—LUMINAIRE WIRING AND ELECTRICAL PARTS MAY BE DAMAGED WHEN DRILLING FOR INSTALLATION OF RETROFIT ASSEMBLY HARDWARE. CHECK FOR ENCLOSED WIRING AND COMPONENTS.
AVERTISSEMENT - RISQUE D'INCENDIE OU DE CHOC ÉLECTRIQUE. CÂBLAGE DU LUMINAIRE ET PIÈCES ÉLECTRIQUES PEUVENT ÊTRE ENDOMMAGÉS LORS DU FORAGE POUR L'INSTALLATION DU KIT DE CONVERSION À DEL. VÉRIFIER LE CÂBLAGE ET LES COMPOSANTS CLOS

CAUTION - RISK OF ELECTRIC SHOCK

- SUITABLE FOR DAMP LOCATIONS
CONVIENT AUX EMPLACEMENTS HUMIDES
- SUITABLE FOR OPERATION IN AMBIENT NOT EXCEEDING 45 °C
PEUT ÊTRE UTILISÉ À UNE TEMPÉRATURE AMBIANTE N'EXCÉDANT PAS 45°C
- LR30S-Ax-xK-08 - SUITABLE FOR OPERATION IN AMBIENT NOT EXCEEDING 40 °C
PEUT ÊTRE UTILISÉ À UNE TEMPÉRATURE AMBIANTE N'EXCÉDANT PAS 40°C
- USE INDOORS ONLY.
- TURN POWER OFF BEFORE SERVICING -- SEE INSTRUCTIONS.
- PROPERLY GROUND FIXTURE.

WARNING -

- ENSURE NO BARE WIRES ARE EXPOSED OUTSIDE THE ELECTRICAL CONNECTIONS.
- TO PREVENT WIRING DAMAGE OR ABRASION, DO NOT EXPOSE WIRING TO EDGES OR OTHER SHARP OBJECTS.
- ONLY THOSE OPEN HOLES INDICATED IN THE PHOTOGRAPHS AND/OR DRAWINGS MAY BE MADE OR ALTERED AS A RESULT OF KIT INSTALLATION. DO NOT LEAVE ANY OTHER OPEN HOLES IN AN ENCLOSURE OF WIRING OR ELECTRICAL COMPONENTS.

SEULS LES OUVERTURES INDIQUÉES DANS LES PHOTOS ET/OU LES DESSINS PEUVENT ÊTRE FAITS OU MODIFIÉS À LA SUITE DE L'INSTALLATION DU NÉCESSAIRE. IL EST INTERDIT DE LAISSER D'AUTRES OUVERTURES DANS UN BOÎTIER DE CÂBLAGE OU DE COMPOSANTS ÉLECTRIQUES.

THESE INSTRUCTIONS DO NOT ATTEMPT TO COVER ALL INSTALLATION AND MAINTENANCE SITUATIONS. FOR MORE INFORMATION OR QUESTIONS REGARDING THE INSTALLATION OR USE OF THE ESSENTIALS FIXTURE, CALL 559-485-6010 OR EMAIL AT info@linmoreled.com

MAINTENANCE

LINEAR FIXTURES SHOULD BE DRY DUSTED PERIODICALLY. THE FROSTED LENS CAN BE CLEANED WITH DAMP OR DRY CLOTH. NO SPECIAL CLEANER REQUIRED.

TROUBLESHOOTING

TURN ELECTRICITY OFF AT THE MAIN CIRCUIT BREAKER, PANELBOARD, FUSE BOX OR DISCONNECT. DO NOT ATTEMPT TO TROUBLESHOOT WITH THE POWER ON.

ISSUE 1 - LIGHT DOES NOT COME ON

1. VERIFY THAT POWER IS BEING DELIVERED TO THE FIXTURE. CHECK ALL UPSTREAM CIRCUIT BREAKERS, FUSES AND DISCONNECT TO ENSURE THEY ARE ON AND IN PROPER WORKING ORDER.
2. CONFIRM ALL ELECTRICAL CONNECTIONS ARE COMPLETE AND CONTINUOUS.
3. IF THE ISSUE REMAINS UNRESOLVED, CONTACT LINMORE LED.

ISSUE 2 - ONE OR MORE LEDS ARE OUT WHILE OTHERS REMAIN ON

1. DETERMINE IF REPLACEMENT IS DESIRED. AFTER ONE OR MORE LEDS FAILS, THE FIXTURE MAY CONTINUE TO OPERATE NORMALLY, ALTHOUGH WITH A REDUCED LUMEN OUTPUT.
2. IF REPLACEMENT FIXTURE IS DESIRED, CONTACT LINMORE LED.

WARRANTY SUPPORT

PHONE: 559-485-6010
EMAIL: info@linmoreled.com



INSTALLATION INSTRUCTIONS

LINEAR SERIES



IMPORTANT: READ ALL INSTRUCTIONS THOROUGHLY AND CAREFULLY PRIOR TO INSTALLATION OF LINEAR SERIES FIXTURES AND RETAIN FOR FUTURE REFERENCE.

GENERAL INSTRUCTIONS:

PREPARING TO INSTALL

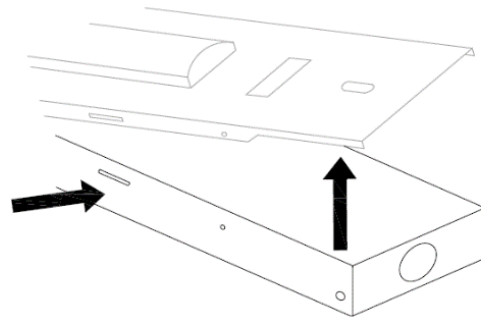
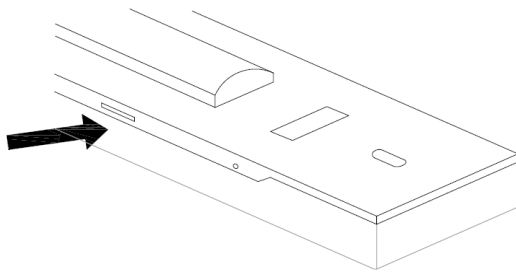
1. CONSULT A LOCAL LICENSED ELECTRICIAN OR ELECTRICAL CONTRACTOR PRIOR TO INSTALLATION.
2. REVIEW WARNINGS FOUND IN THIS DOCUMENT PRIOR TO STARTING WORK.
3. INSPECT PACKAGE(S) FOR SIGNS OF DAMAGE. NOTIFY CARRIER IMMEDIATELY IF FIXTURE PACKAGING IS DAMAGED.
4. UNPACK THE FIXTURES FROM PACKAGING. RECYCLE AND PROPERLY DISPOSE OF PACKAGING.
5. INSPECT FIXTURES. IF THERE IS ANY FIXTURE DAMAGE OBSERVED, TAKE PHOTOGRAPHS, AND IMMEDIATELY CONTACT info@linmoreled.com.
6. TURN OFF ELECTRICITY AT THE MAIN CIRCUIT BREAKER, PANELBOARD, FUSE BOX OR DISCONNECT.

DO NOT ATTEMPT TO INSTALL FIXTURE WITH THE POWER ON.

7. ENSURE FIXTURE IS PROPERLY RATED FOR RESPECTIVE LOCATION.
8. MAKE SURE THE MOUNTING SURFACE IS CAPABLE OF SUPPORTING WEIGHT OF FIXTURE.
9. MAX AMBIENT REDUCED 5°C WHEN MOUNTED NEAR CEILING.
10. ENSURE PROPER AIRFLOW AROUND FIXTURE.

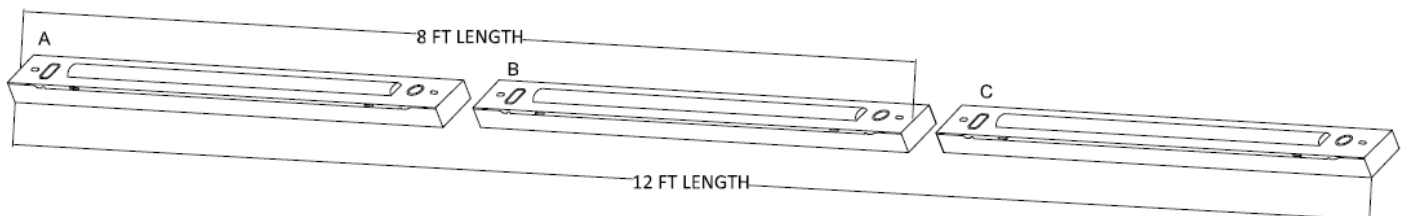
REMOVING LED LIGHT COVER (FXT ONLY):

1. GENTLY SQUEEZE THE LINEAR HOUSING BELOW THE SIDE TABS AND REMOVE THE LED LIGHT COVER TO ACCESS FIXTURE WIRING.
2. IF APPLICABLE, REMOVE DRIVER GREEN/YELLOW STRIPE GROUND WIRE FROM GROUNDING WAGO CONNECTOR.
3. SET LED LIGHT COVER ASIDE UNTIL READY TO MAKE ELECTRICAL CONNECTIONS. REFER TO "MAKING ELECTRICAL CONNECTIONS" FOR WIRING INFORMATION.
4. DETERMINE HOW FIXTURE WILL BE MOUNTED, AND GO TO APPROPRIATE INSTRUCTION.



JOINING FIXTURE SECTIONS (FXT ONLY):

1. IDENTIFY SECTIONS –
 - 8' SECTIONS ARE MARKED "8A" AND "8B"
 - 12' SECTION ARE SECTIONS MARKED "12A", "12B" AND "12C".
 - SECTION "8A (12A)" HAS THE DRIVER.
 - 8 FT SECTION COMES WITH 3 END CAPS: (1 EA) INSTALLED ON "8A" SECTION, (1 EA) INSTALLED ON "8B" SECTION, (1 EA) ENDCAP WRAPPED UP AND TUCKED INSIDE HOUSING OF SECTION "8B" AND (1 EA) JOINER PLATE.
 - 12 FT SECTION COMES WITH 4 END CAPS: (1 EA) INSTALLED ON "12A" SECTION, (1 EA) INSTALLED ON "12C" SECTION, (2 EA) ENDCAPS WRAPPED UP AND TUCKED INSIDE HOUSING OF SECTION "12B" AND (2 EA) JOINER PLATES.



INSTALLATION INSTRUCTIONS

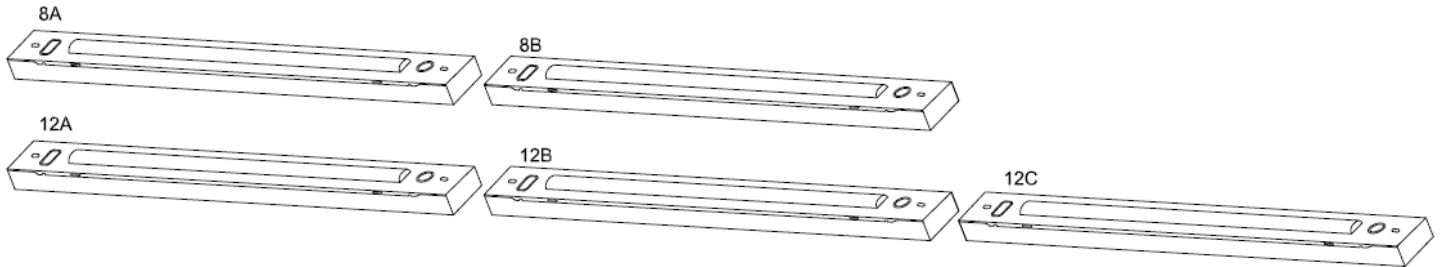
LINEAR SERIES



IMPORTANT: READ ALL INSTRUCTIONS THOROUGHLY AND CAREFULLY PRIOR TO INSTALLATION OF LINEAR SERIES FIXTURES AND RETAIN FOR FUTURE REFERENCE.

JOINING FIXTURE SECTIONS – cont. (FXT ONLY):

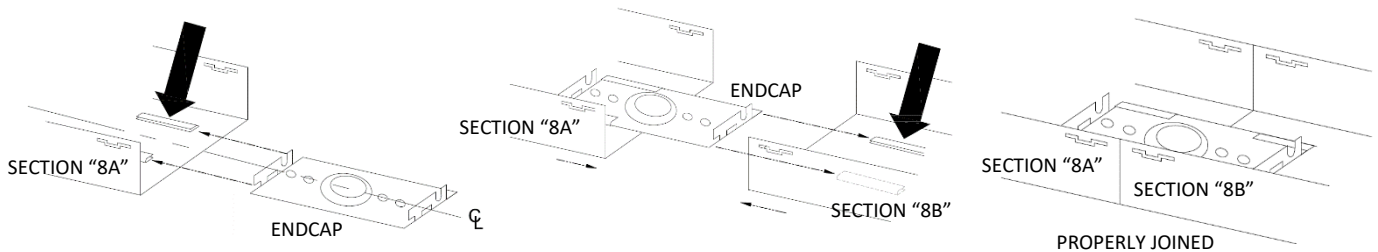
- ORIENT EACH FIXTURE SECTION IN THE SAME DIRECTION. PLACE FIXTURES END TO END AS THEY WOULD BE INSTALLED.
 - 8FT LINEAR – “8A” ALIGNS WITH “8B”;
 - 12FT LINEAR – “12A” ALIGNS WITH “12B,” WHICH ALIGNS WITH “12C”.



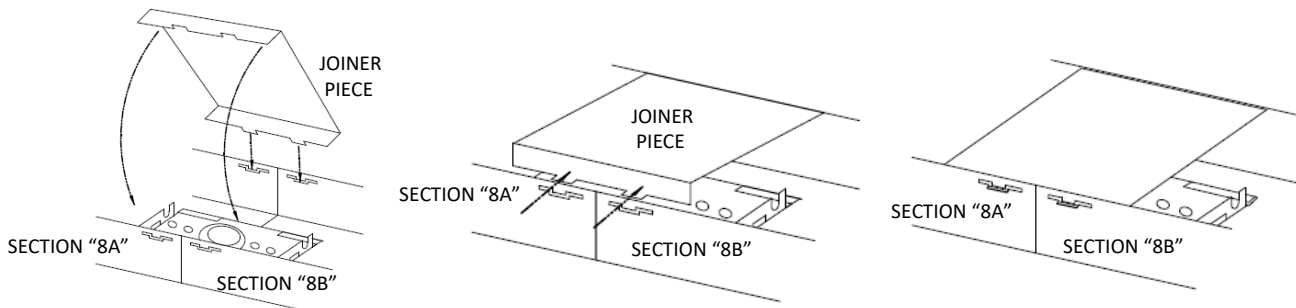
- REMOVE LIGHT COVER FROM EACH SECTION. (SEE “REMOVING LIGHT COVER INSTRUCTION”)

4. 8FT FIXTURE:

- LOCATE LOOSE ENDCAP IN SECTION “8B”. REMOVE FROM PACKAGING. DISPOSE OF PACKAGING PROPERLY.
- LOCATE SLOTS AT END OF HOUSING IN SECTION “8A”. ALIGN ENDCAP WITH SLOTS AND SLIDE ENDCAP INTO PLACE. ENDCAP SHOULD SLIDE ALL THE WAY TO END OF SLOTS.
- ALIGN ENDCAP ON SECTION “8A” WITH SLOTS ON SECTION “8B” AND SLIDE ENDCAP INTO SLOTS. ENDCAP SHOULD SLIDE ALL THE WAY TO END OF SLOTS IN SECTION B. AFTER JOINING, FIXTURES HOUSINGS FROM BOTH SECTIONS SHOULD BE FLUSH TOGETHER.



- LOCATE JOINER PIECE. INSERT SLOTS THROUGH NOTCHES LOCATED IN THE SIDE OF THE FIXTURE HOUSING. ONE HALF OF JOINER WILL BE IN SECTION “8A” AND ONE HALF OF THE JOINER WILL BE IN SECTION “8B.” CLOSE JOINER PIECE OVER TOP OF ENDCAP.
- PRESS CENTER BETWEEN SLOTS OF JOINER PIECE SO THAT SLOTS WILL INSERT THROUGH NOTCHES IN SIDE OF FIXTURE HOUSING.



- FIXTURE IS NOW READY TO MOUNT. PROCEED TO THE APPROPRIATE APPLICABLE MOUNTING INSTRUCTIONS.



INSTALLATION INSTRUCTIONS

LINEAR SERIES

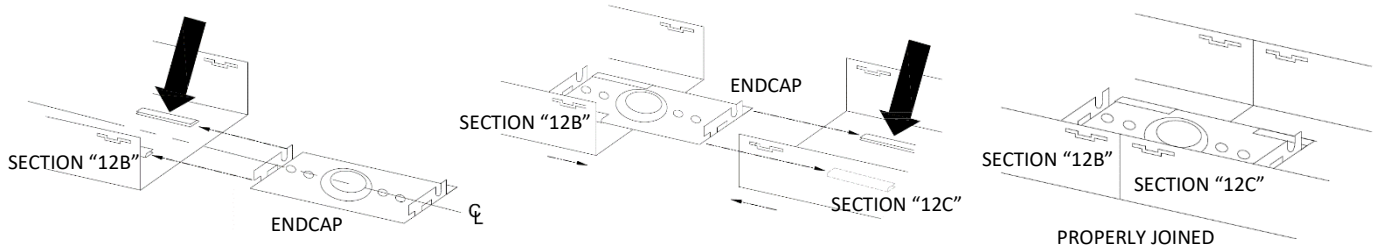


IMPORTANT: READ ALL INSTRUCTIONS THOROUGHLY AND CAREFULLY PRIOR TO INSTALLATION OF LINEAR SERIES FIXTURES AND RETAIN FOR FUTURE REFERENCE.

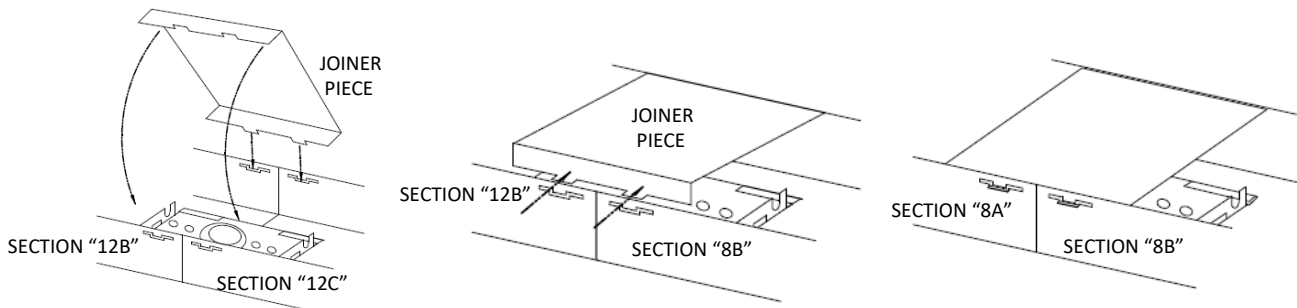
JOINING FIXTURE SECTIONS – cont. (FXT ONLY):

5. 12FT FIXTURE:

- FOLLOW "8FT FIXTURE" INSTRUCTIONS NUMBER 4 ABOVE TO JOIN SECTIONS "12A" AND "12B."
- JOINING SECTION "12C": LOCATE SECOND LOOSE ENDCAP IN SECTION "12B". REMOVE FROM PACKAGING. DISPOSE OF PACKAGING PROPERLY.
- LOCATE SLOTS AT END OF HOUSING IN SECTION "12B". ALIGN ENDCAP WITH SLOTS AND SLIDE ENDCAP INTO PLACE. ENDCAP SHOULD SLIDE ALL THE WAY TO END OF SLOTS.
- ALIGN ENDCAP ON SECTION "12B" WITH SLOTS ON SECTION "12C" AND SLIDE ENDCAP INTO SLOTS. ENDCAP SHOULD SLIDE ALL THE WAY TO END OF SLOTS IN SECTION C. AFTER JOINING, FIXTURE HOUSINGS FROM BOTH SECTIONS SHOULD BE FLUSH TOGETHER.



- PRESS CENTER BETWEEN SLOTS OF JOINER PIECE SO THAT SLOTS WILL INSERT THROUGH NOTCHES IN SIDE OF FIXTURE HOUSING.



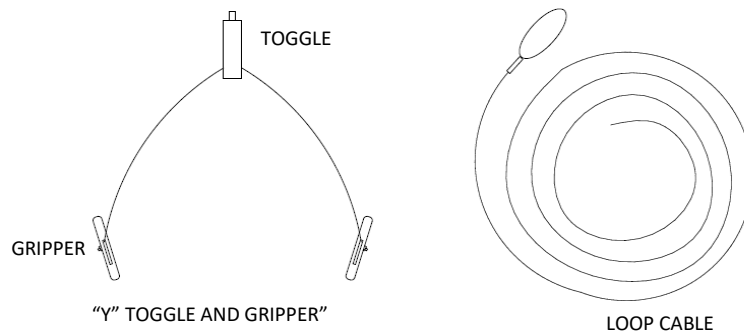
- FIXTURE IS NOW READY TO MOUNT. PROCEED TO THE APPROPRIATE APPLICABLE MOUNTING INSTRUCTIONS.

STAND ALONE FIXTURE (FXT) – SUSPENSION MOUNT

1. INSTRUCTION TO FOLLOW USES LINMORE HANGERKIT (SOLD SEPARATELY).

HANGERKIT – ITEMS INCLUDED:

- "Y" TOGGLE AND GRIPPER
- LOOP CABLE.



INSTALLATION INSTRUCTIONS

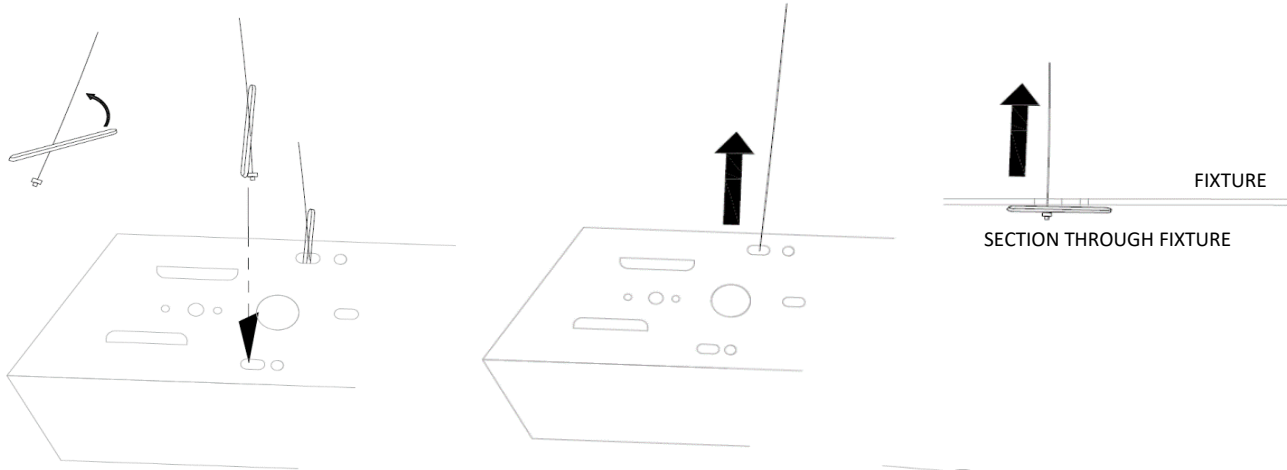
LINEAR SERIES



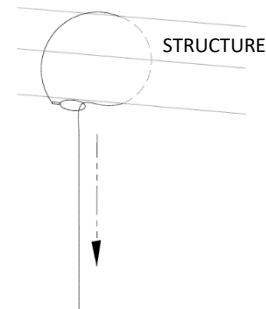
IMPORTANT: READ ALL INSTRUCTIONS THOROUGHLY AND CAREFULLY PRIOR TO INSTALLATION OF LINEAR SERIES FIXTURES AND RETAIN FOR FUTURE REFERENCE.

INSTALLING SUSPENSION MOUNT (FXT):

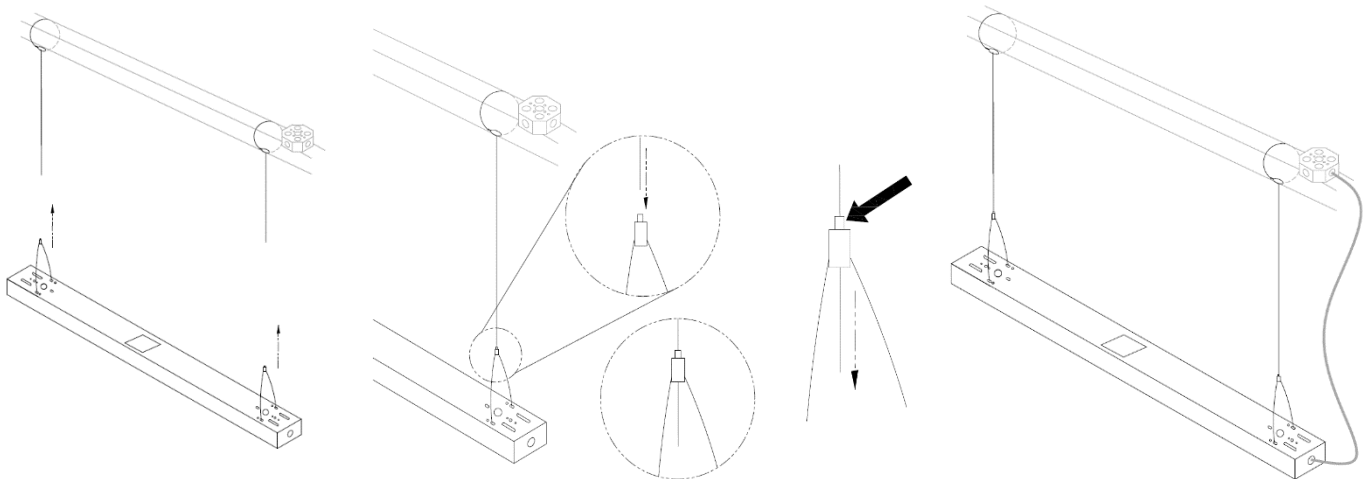
1. SEE GENERAL INSTRUCTIONS AT THE FRONT OF THIS INSTRUCTION.
2. 4' SECTION: PRESS GRIPPER AGAINST CABLE SO GRIPPER AND CABLE ARE PARALLEL.
3. INSERT GRIPPER/CABLE INTO FIXTURE THROUGH OBLONG HOLES AT END OF FIXTURE.
4. PUSH GRIPPER/CABLE THROUGH HOLE UNTIL GRIPPER CANNOT BE HANDLED (IS NOT SEEN).
5. PULL CABLE TIGHT. GRIPPER LAYS INSIDE FIXTURE HOUSING AND WILL NOT PULL OUT.



6. SECURE HANGER CABLE TO STRUCTURE.
 - a. 4FT SECTION: MINIMUM 2 HANGER POINTS
 - b. 8FT SECTION: MINIMUM 3 HANGER POINTS OR 4 HANGER POINTS.
 - c. 12FT SECTION: MINIMUM 4 HANGER POINTS OR 6 HANGER POINTS.
7. PASS LOOP SIDE OF CABLE OVER, AROUND AND UNDER STRUCTURE.
8. PASS STRAIGHT END OF CABLE THROUGH LOOP AND PULL TIGHT.



9. RAISE FIXTURE WITH "Y" TOGGLE AND GRIPPER TO LOOP CABLE SECURED TO STRUCTURE.
10. PASS STRAIGHT END OF LOOP CABLE THROUGH TOGGLE. PLUNGER ON TOP OF TOGGLE CATCHES AND HOLDS CABLE SECURELY.
11. LEVEL FIXTURE PLUMB WITH BUILDING LINES. (TO LET OUT CABLE, PUSH PLUNGER DOWN).
12. MAKE FINAL WIRING CONNECTIONS. REFER TO "MAKING ELECTRICAL CONNECTIONS".



13. **8' SECTION:** FOLLOW INSTRUCTIONS FOR "4FT SECTION", NUMBERS 2 THROUGH 5 TO INSTALLED TOGGLE AND GRIPPER.



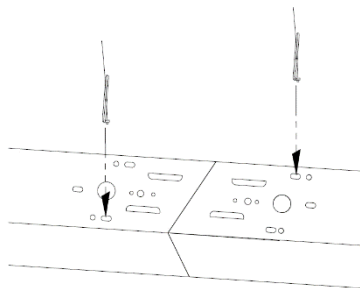
INSTALLATION INSTRUCTIONS

LINEAR SERIES

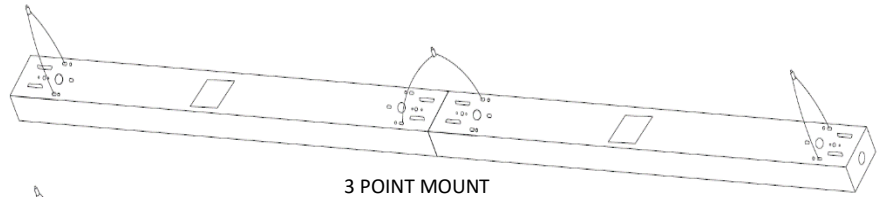


IMPORTANT: READ ALL INSTRUCTIONS THOROUGHLY AND CAREFULLY PRIOR TO INSTALLATION OF LINEAR SERIES FIXTURES AND RETAIN FOR FUTURE REFERENCE.

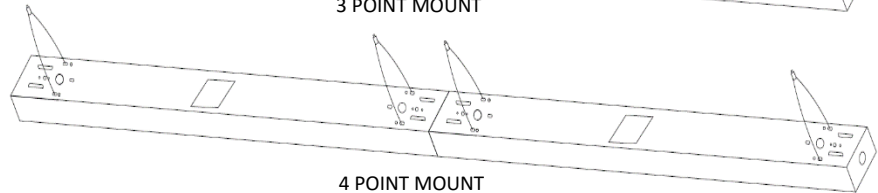
14. INSTALLING MIDDLE TOGGLE/GRIPPER FOR 3 HANGER POINTS: PRESS GRIPPER AGAINST CABLE SO GRIPPER AND CABLE ARE PARALLEL.
15. INSERT GRIPPER/CABLE INTO FIXTURE THROUGH OBLONG HOLES AT END OF FIXTURE.



MIDDLE TOGGLE/GRIPPER FOR 3 HANGER POINTS

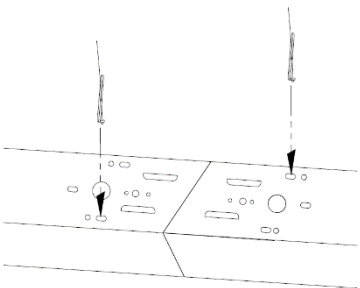


3 POINT MOUNT

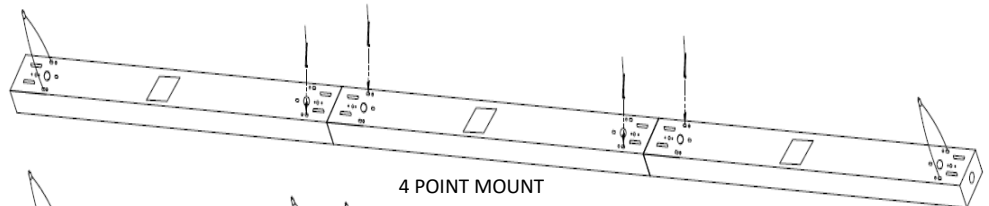


4 POINT MOUNT

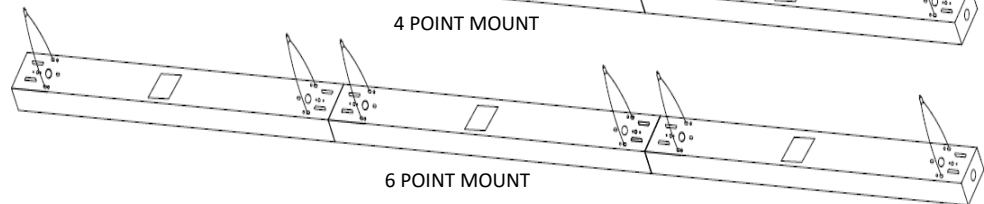
16. SECURE HANGER CABLE (SOLD SEPARATELY) TO STRUCTURE (3 OR 4 HANGER POINTS AS APPLICABLE). ATTACH HANGER CABLE TO MOUNTING HOLES IN BACK OF FIXTURE. MINIMUM 3 HANGER POINTS REQUIRED.
17. RAISE FIXTURE WITH "Y" TOGGLE AND GRIPPER TO LOOP CABLE SECURED TO STRUCTURE.
18. PASS LOOP CABLE THROUGH TOGGLE. PLUNGER ON TOP OF TOGGLE CATCHES AND HOLDS CABLE SECURELY.
19. LEVEL FIXTURE PLUMB WITH BUILDING LINES. (TO LET OUT CABLE, PUSH PLUNGER DOWN)
20. MAKE FINAL WIRING CONNECTIONS. REFER TO "MAKING ELECTRICAL CONNECTIONS".
21. **12' SECTION:** FOLLOW INSTRUCTIONS FOR "4FT SECTION", NUMBERS 2 THROUGH 5 TO INSTALLED TOGGLE AND GRIPPER.
22. INSTALLING MIDDLE TOGGLE/GRIPPERS FOR 4 HANGER POINTS: PRESS GRIPPER AGAINST CABLE SO GRIPPER AND CABLE ARE PARALLEL.
23. INSERT GRIPPER/CABLE INTO FIXTURE THROUGH OBLONG HOLES AT END OF FIXTURE.



MIDDLE TOGGLE/GRIPPER FOR 4 HANGER POINTS



4 POINT MOUNT



6 POINT MOUNT

24. SECURE HANGER CABLE (SOLD SEPARATELY) TO STRUCTURE (4 OR 6 HANGER POINTS AS APPLICABLE). ATTACH HANGER CABLE TO MOUNTING HOLES IN BACK OF FIXTURE. MINIMUM 4 HANGER POINTS REQUIRED.
25. RAISE FIXTURE WITH "Y" TOGGLE AND GRIPPER TO LOOP CABLE SECURED TO STRUCTURE.
26. PASS LOOP CABLE THROUGH TOGGLE. PLUNGER ON TOP OF TOGGLE CATCHES AND HOLDS CABLE SECURELY.
27. LEVEL FIXTURE PLUMB WITH BUILDING LINES. (TO LET OUT CABLE, PUSH PLUNGER DOWN)
28. MAKE FINAL WIRING CONNECTIONS. REFER TO "MAKING ELECTRICAL CONNECTIONS".



INSTALLATION INSTRUCTIONS

LINEAR SERIES

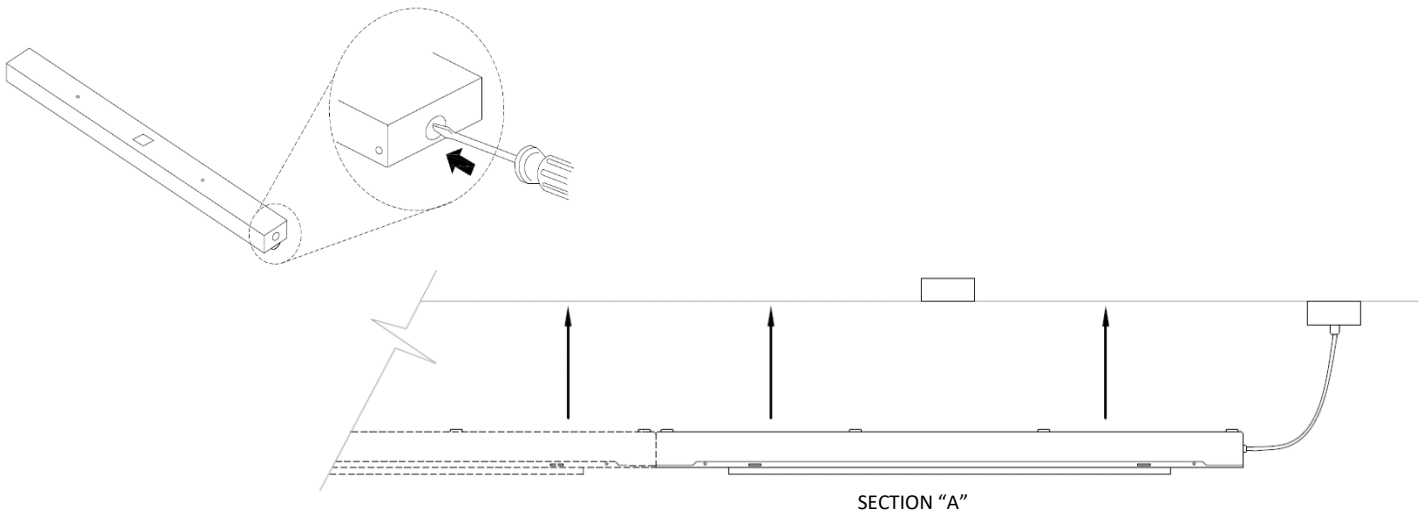


IMPORTANT: READ ALL INSTRUCTIONS THOROUGHLY AND CAREFULLY PRIOR TO INSTALLATION OF LINEAR SERIES FIXTURES AND RETAIN FOR FUTURE REFERENCE.

STAND ALONE FIXTURE (FXT) – SURFACE MOUNT

INSTALLING SURFACE MOUNT (FXT):

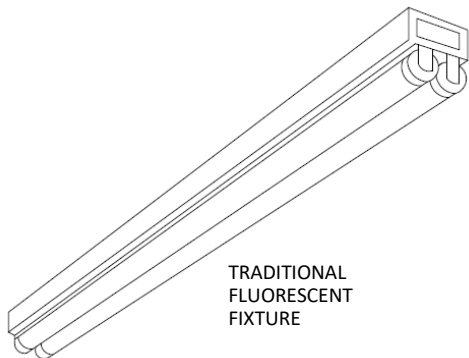
1. SEE GENERAL INSTRUCTIONS AT THE FRONT OF THIS SECTION.
2. **8FT AND 12FT SECTIONS:** FOLLOW “JOINING FIXTURE SECTIONS” INSTRUCTIONS.
3. DRIVER IS LOCATED IN SECTION “A.”
4. AC POWER MAY BE FOUND INSTALLED INTO THE BACK, MIDDLE OR SIDE OF THE FIXTURE. ADJUST AC POWER LOCATION, IF APPLICABLE.
5. CHOOSE A SUITABLE KNOCKOUT LOCATION FROM THOSE PROVIDED. REMOVE THE KNOCKOUT WITH A SCREWDRIVER.
6. REMOVE LED COVER. (REFER TO SECTION “REMOVING LED COVER – (FXT ONLY)” OF THIS INSTRUCTION.)
7. LIFT FIXTURE HOUSING TO CEILING AND MARK THE MOUNTING HOLES WITH A PENCIL.
8. PULL EXISTING AC POWER FROM BUILDING THROUGH KNOCKOUT LOCATION INTO FIXTURE HOUSING. PROVIDE UL APPROVED STRAIN RELIEF (NOT PROVIDED) AS REQUIRED.
9. RAISE FIXTURE HOUSING TO SURFACE AND SECURE WITH APPROPRIATE CONNECTOR(S).
10. MAKE FINAL WIRING CONNECTIONS. REFER TO “MAKING ELECTRICAL CONNECTIONS”.



PREPARING EXISTING FIXTURE FOR RETROFIT KIT (RTR) OR RETRO MULTI WIDTH KIT (RMW)

PREPARING EXISTING FIXTURE:

1. SEE GENERAL INSTRUCTIONS AT THE FRONT OF THIS SECTION.
2. RETROFIT LUMINAIRE CONVERSION KIT IS SUITABLE FOR USE IN A FULLY ENCLOSED LUMINAIRE.
3. RETROFIT LUMINAIRE CONVERSION KIT IS **NOT INTENDED** FOR DIRECT CONTACT WITH WATER.
4. IDENTITY FLUORESCENT FIXTURE BEING UPGRADED WITH LED RETROFIT KIT.
5. TURN FLUORESCENT FIXTURE OFF AND ALLOW LAMPS TO COOL PRIOR TO STARTING WORK.
6. IF FLUORESCENT FIXTURE HAS LENS OR DIFFUSER, REMOVE TO GAIN ACCESS TO LAMPS.



TRADITIONAL
FLUORESCENT
FIXTURE



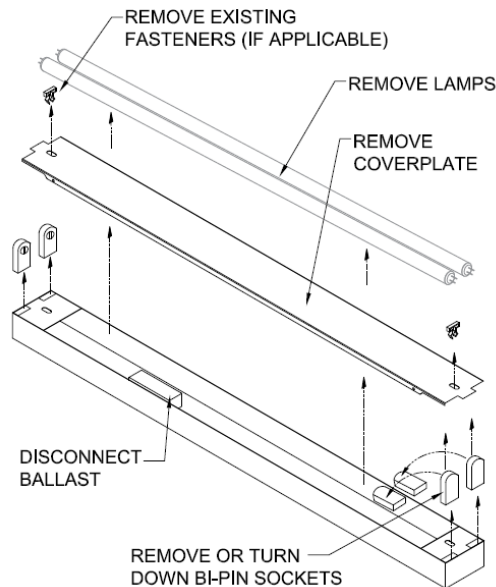
INSTALLATION INSTRUCTIONS

LINEAR SERIES



IMPORTANT: READ ALL INSTRUCTIONS THOROUGHLY AND CAREFULLY PRIOR TO INSTALLATION OF LINEAR SERIES FIXTURES AND RETAIN FOR FUTURE REFERENCE.

- ONCE FLUORESCENT TUBE LAMPS HAVE COOLED AND CAN BE HANDLED WITHOUT RISK OF BURN, CAREFULLY REMOVE FROM EXISTING FIXTURE. AVOID BREAKING LAMPS.
- REMOVE EXISTING FASTENERS AND COVER FROM EXISTING FIXTURE. INVENTORY FASTENERS THAT WERE REMOVED (SCREWS, QUARTER TURN FASTENERS, ETC.) AND RETAIN FOR LED RETROFIT KIT INSTALLATION.
- THE BI-PIN FLUORESCENT SOCKETS WILL NOT BE USED WITH THE NEW LED RETROFIT KIT, REMOVE BY CUTTING WIRES FROM SOCKETS TO INCOMING POWER FEED AND BALLAST AND REMOVE SOCKETS. CAP WIRES LEFT IN CHANNEL WITH WIRE NUTS OR UL APPROVED ELECTRICAL TAPE (NOT PROVIDED). TO ABANDON SOCKETS IN PLACE (IF ALLOWED BY LOCAL CODES AND AUTHORITY HAVING JURISDICTION), TURN SOCKETS DOWN INTO METAL CHANNEL AND NEATLY ARRANGE IN METAL CHANNEL TO AVOID INTERFERENCE WITH NEW LED RETROFIT KIT. USE UL APPROVED ELECTRICAL TAPE TO MOVE ABANDONED SOCKETS AND WIRE OUT OF THE WAY IF NECESSARY.
- DISCONNECT EXISTING FLUORESCENT BALLAST FROM INCOMING POWER FEED BY CUTTING BLACK AND WHITE WIRES. BALLAST CONNECTORS CAN BE RETAINED IF WIRES ARE CUT ON THE LOAD SIDE OF THE BALLAST CONNECTORS (CLOSEST TO THE BALLAST). ABANDON BALLAST IN PLACE (IF ALLOWED BY LOCAL CODES AND AUTHORITY HAVING JURISDICTION (AHJ)) OR REMOVE. IF BALLAST IS ABANDONED, CAP OF CUT WIRES WITH WIRE NUTS OR UL APPROVED ELECTRICAL TAPE (NOT INCLUDED). DISPOSE OF UNUSED BALLAST PER LOCAL CODES, IF APPLICABLE.
- DISCONNECT GROUND FROM FLUORESCENT BALLAST. REMOVE WIRE NUT (IF APPLICABLE) OR CUT GREEN WIRES.



PREPARE EXISTING WIRING (IF APPLICABLE):

- USING WIRE CUTTERS, REMOVE INSULATION ON WIRES APPROXIMATELY 3/8" FROM WIRE END. TAKE CARE NOT TO DAMAGE THE COPPER CONDUCTORS.

RETROFIT KIT (RTR)

INSTALLING KIT:

- REFER TO "PREPARING EXISTING FIXTURE FOR RETROFIT KIT (RTR) OR RETRO MULTI WIDTH KIT (RMW)".
- REFER TO "MAKING ELECTRICAL CONNECTIONS".



INSTALLATION INSTRUCTIONS

LINEAR SERIES

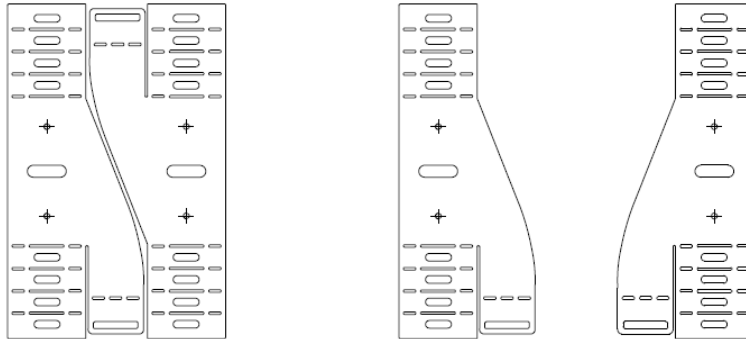


IMPORTANT: READ ALL INSTRUCTIONS THOROUGHLY AND CAREFULLY PRIOR TO INSTALLATION OF LINEAR SERIES FIXTURES AND RETAIN FOR FUTURE REFERENCE.

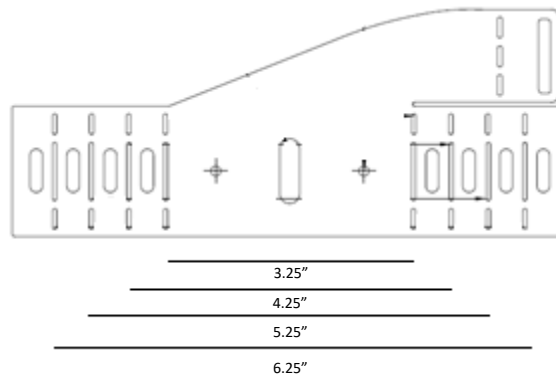
RETRO MULTI WIDTH KIT (RMW)

PREPARING BRACKETS:

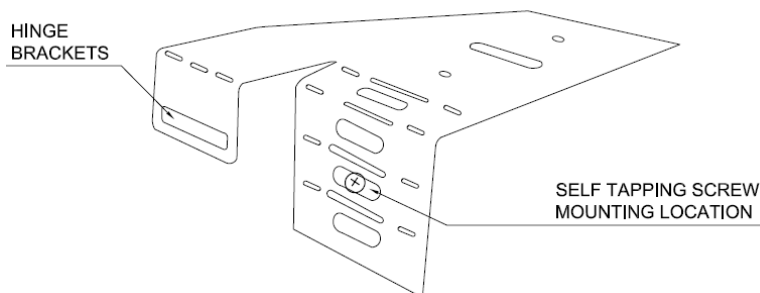
1. REFER TO "PREPARING EXISTING FIXTURE FOR RETROFIT KIT (RTR) OR RETRO MULTI WIDTH KIT (RMW)".
2. BREAK APART BRACKETS.



3. MEASURE WIDTH OF EXISTING HOUSING.
4. SELECT THE APPROPRIATE WIDTH OF TABS ON THE MULTI WIDTH BRACKET.
5. EACH BRACKET IS SET UP IN 1/2" INCREMENTS (EACH SIDE).



6. USING PLIERS, BEND APPROPRIATE TABS AT 90° SO IT CAN BE ATTACHED TO HOUSING WITH SELF TAPPING SHEET METAL SCREWS.
7. BEND HINGE POINT AT 90° DOWN TOWARDS HOUSING (AS SHOWN).



INSTALLATION INSTRUCTIONS

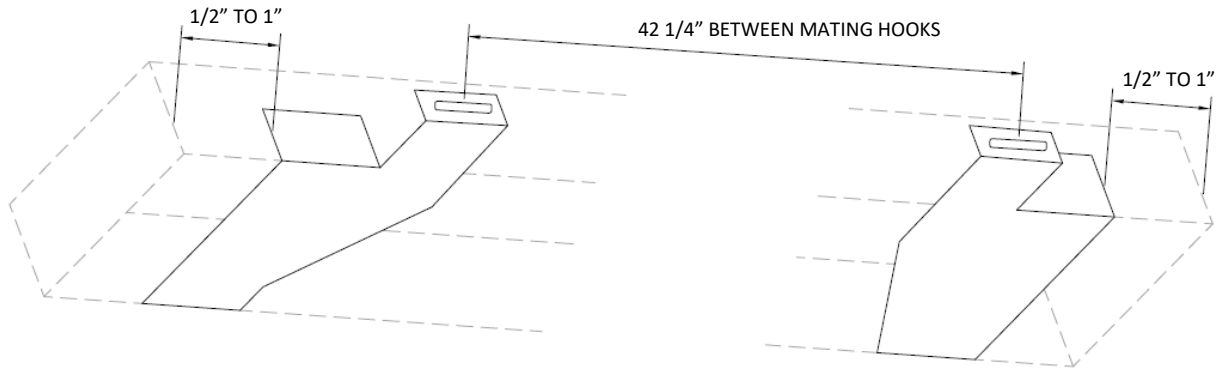
LINEAR SERIES



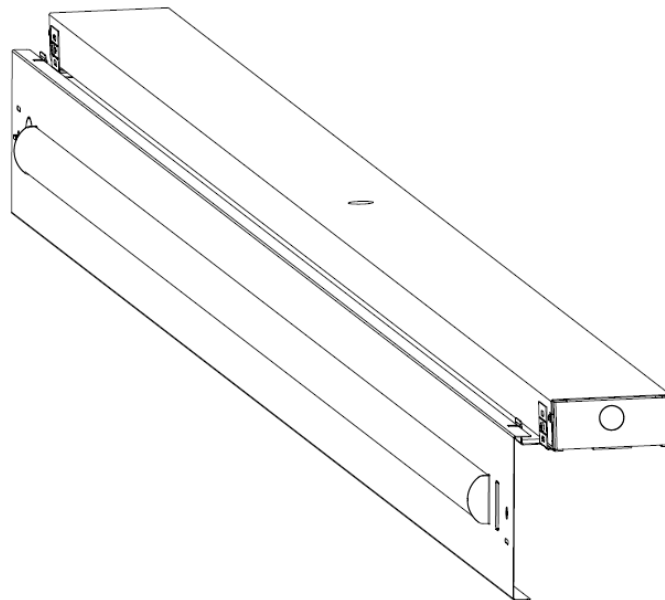
IMPORTANT: READ ALL INSTRUCTIONS THOROUGHLY AND CAREFULLY PRIOR TO INSTALLATION OF LINEAR SERIES FIXTURES AND RETAIN FOR FUTURE REFERENCE.

ATTACHING BRACKETS TO EXISTING HOUSING

1. RAISE LED LIGHT COVER TO EXISTING FIXTURE. TAKE NOTICE IF DRIVER INTERFERES WITH FLUORESCENT BALLAST. ADJUST COVER 180 DEGREES OR REMOVE EXISTING BALLAST IF APPLICABLE.
2. INSTALL BRACKETS TO EXISTING HOUSING (AS SHOWN) WITH SUPPLIED SCREWS. INSTALL BRACKETS SO HINGE ALLOWS THE LED LIGHT COVER TO HANG IN SUCH A WAY IT DOES NOT INTERFERE WITH THE MECHANICAL OR ELECTRICAL PORTION OF THE INSTALLATION.



3. HANG LED LIGHT COVER FROM HINGE POINTS SO IT IS HANDS FREE.



4. REFER TO "MAKING ELECTRICAL CONNECTIONS".



INSTALLATION INSTRUCTIONS

LINEAR SERIES

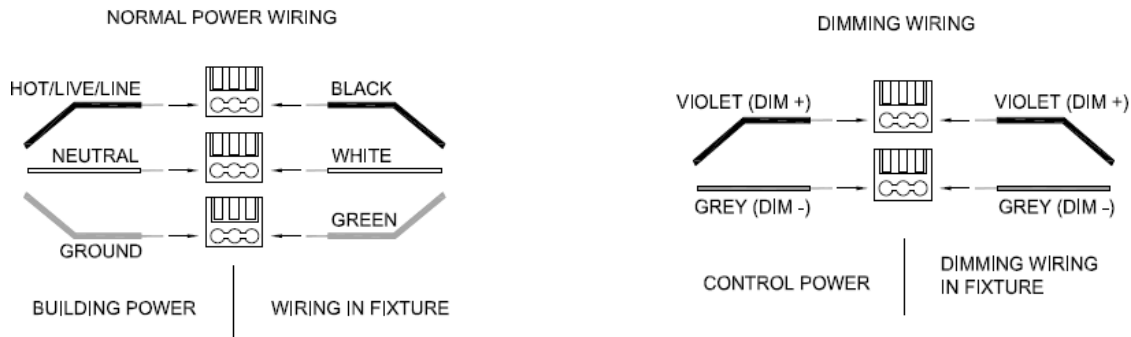


IMPORTANT: READ ALL INSTRUCTIONS THOROUGHLY AND CAREFULLY PRIOR TO INSTALLATION OF LINEAR SERIES FIXTURES AND RETAIN FOR FUTURE REFERENCE.

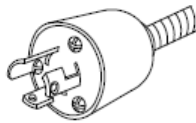
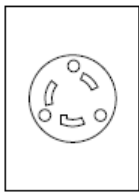
MAKING ELECTRICAL CONNECTIONS:

STAND ALONE FIXTURE (FXT) ONLY:

1. **FIXTURES WITH OPTIONAL FACTORY-INSTALLED CORD WITH WIRE ENDS (WITHOUT PLUG):** EXTEND CORD AND WIRE ENDS TO NEAREST ELECTRICAL JUNCTION BOX (PROVIDED BY CONTRACTOR) AND MAKE FINAL ELECTRICAL CONNECTIONS PER ALL APPLICABLE CODES INSIDE JUNCTION BOX -BLACK TO BLACK (HOT); WHITE TO WHITE (NEUTRAL) AND GREEN (OR BARE) TO GREEN (GROUND); VOILET TO VIOLET AND GREY TO GREY ON 5-WIRE CORD (IF APPLICABLE).



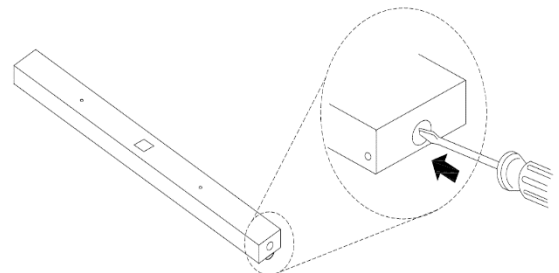
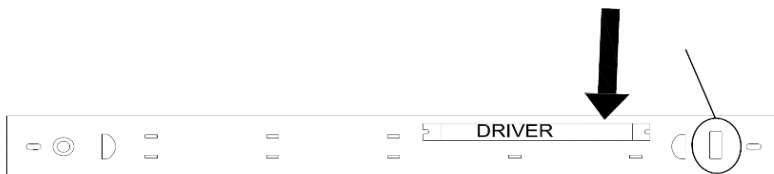
2. **FIXTURES WITH OPTIONAL FACTORY-INSTALLED CORD AND PLUG:** CONNECT CORD AND PLUG TO NEAREST APPROPRIATELY RATED RECEPTACLE (PROVIDED BY CONTRACTOR).



OPTIONAL CORD/PLUG (ORDERED SEPARATELY). PLUG INTO CONTRACTOR PROVIDED RECEPTACLE. THE CORD YOU ORDERED MAYBE BE DIFFERENT THAN THE CORD SHOWN HERE.

3. **HARDWIRED FIXTURES – STAND ALONE FIXTURE (FXT):**

- a. TAKE NOTE WHERE DRIVER IS LOCATED ON LED LIGHT COVER.
- b. LOCATE DRIVER ON BACKSIDE OF SECTION "A" (ALL MODELS) – IT IS NEAR THE RECTANGLE KNOCKOUT.
- c. CHOOSE A SUITABLE KNOCKOUT LOCATION FROM THOSE PROVIDED IN FIXTURE HOUSING.
- d. REMOVE THE KNOCKOUT WITH A SCREWDRIVER.
- e. PULL EXISTING AC POWER FROM BUILDING THROUGH KNOCKOUT LOCATION INTO FIXTURE HOUSING. PROVIDE UL APPROVED STRAIN RELIEF (NOT PROVIDED) AS REQUIRED.



INSTALLATION INSTRUCTIONS

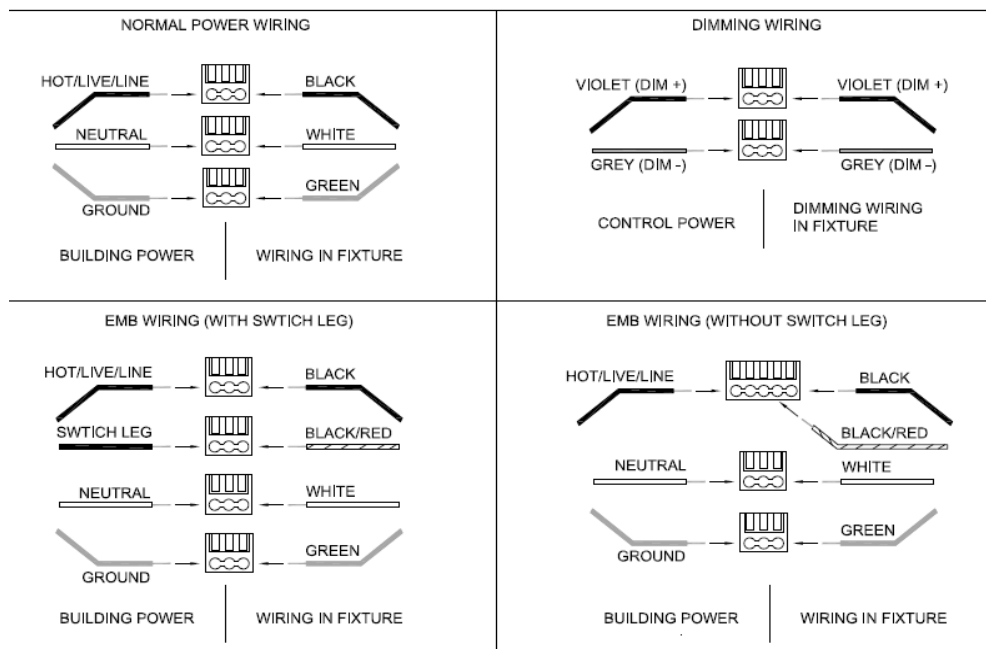
LINEAR SERIES



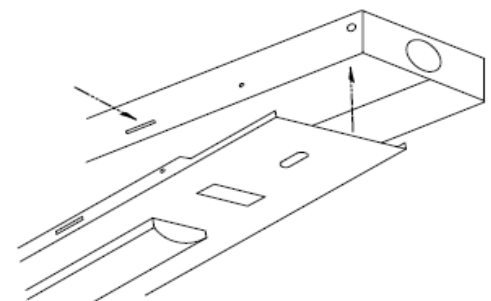
IMPORTANT: READ ALL INSTRUCTIONS THOROUGHLY AND CAREFULLY PRIOR TO INSTALLATION OF LINEAR SERIES FIXTURES AND RETAIN FOR FUTURE REFERENCE.

APPLIES TO STAND ALONE FIXTURE (FXT); RETROFIT KIT (RTR); RETRO MULTI WIDTH KIT (RMW)

- 4FT FIXTURE, SECTION "8A" AND "12A" (FXT OR RTR):** HOLD LED LIGHT COVER UP TO FIXTURE HOUSING (OR EXISTING HOUSING, IF APPLICABLE).
- (RTR OR RMW) - POSITION LED DRIVER (LOCATED ON BACK SIDE OF LED RETROFIT KIT) IN AN ORIENTATION THAT DOES NOT CONFLICT WITH THE ABANDONED FLUORESCENT BALLAST (IF APPLICABLE). THE LED HOUSING CAN BE ROTATED 180 DEGREES (RTR, IF APPLICABLE).**
- MAKE ELECTRICAL CONNECTIONS PER ALL APPLICABLE CODES:
 - NORMAL POWER WIRING - BLACK TO BLACK (HOT); WHITE TO WHITE (NEUTRAL) AND GREEN (OR BARE) TO GREEN (GROUND). ENSURE NO BARE WIRES ARE EXPOSED.
 - DIMMING WIRING – VIOLET TO VIOLET (DIM +); GREY TO GREY (DIM -)
 - EMERGENCY WIRING (WITH SWITCH LEG) - BLACK TO BLACK (HOT); BLACK TO BLACK/RED STRIPE (SWITCH); WHITE TO WHITE (NEUTRAL) AND GREEN (OR BARE) TO GREEN (GROUND). ENSURE NO BARE WIRES ARE EXPOSED.
 - EMERGENCY WIRING (WITHOUT SWITCH LEG) - BLACK TO BLACK (HOT) AND BLACK TO BLACK/RED STRIPE (SWITCH) (SAME CONNECTOR); WHITE TO WHITE (NEUTRAL) AND GREEN (OR BARE) TO GREEN (GROUND). ENSURE NO BARE WIRES ARE EXPOSED.



- (FXT, RTR, RMW) NEATLY ARRANGE THE WIRES AND ENSURE ALL THE WIRES AND CONNECTIONS ARE SEALED PROPERLY INSIDE THE FIXTURE HOUSING. TAKE CARE NOT TO PINCH ANY WIRES.
- (FXT) 4FT SECTION:** ATTACH LED LIGHT COVER TO FIXTURE HOUSING. ENSURE ALL WIRING IS SAFELY TUCKED INSIDE THE INTERIOR OF THE FIXTURE BEFORE FINALIZING INSTALLATION. ATTACH LED LIGHT COVER WITH SELF-TAPPING SCREWS (PROVIDED).



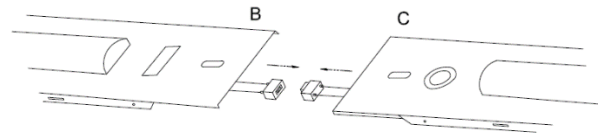
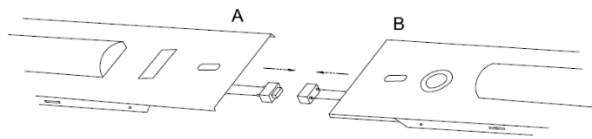
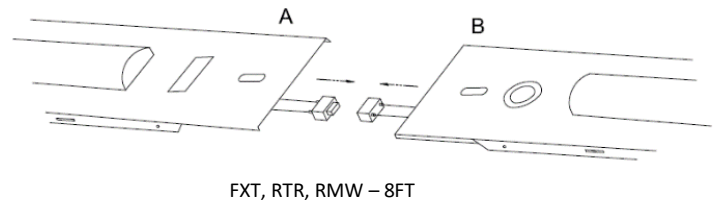
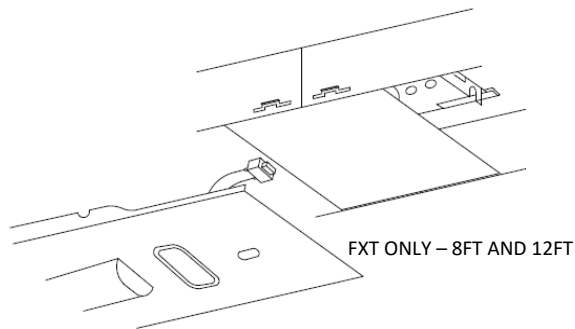
INSTALLATION INSTRUCTIONS

LINEAR SERIES



IMPORTANT: READ ALL INSTRUCTIONS THOROUGHLY AND CAREFULLY PRIOR TO INSTALLATION OF LINEAR SERIES FIXTURES AND RETAIN FOR FUTURE REFERENCE.

9. **(FXT, RTR, RMW) 8FT AND 12FT SECTIONS:** LED LIGHT COVERS ELECTRICALLY CONNECT EACH SECTION VIA QUICK DISCONNECTS. EACH CONNECTOR HAS A LABEL FLAG, AS FOLLOWS:
- SECTION 8A – “CONNECT TO 8B”
 - SECTION 8B – “CONNECT TO 8A”
 - SECTION 12A – “CONNECT TO 12B”
 - SECTION 12B – “CONNECT TO 12A” AND “CONNECT TO “12C”
 - SECTION 12C – “CONNECT TO 12B”
10. **(FXT, RTR, RMW) 8FT AND 12FT SECTIONS:** ATTACH SECTION “8A” (“12A”) LED LIGHT COVER TO FIXTURE HOUSING. PLUG QUICK DISCONNECT FROM SECTION “A” INTO QUICK DISCONNECT ON SECTION “B”. (FOR FXT – TUCK QUICK DISCONNECT UNDER JOINER PIECE). ATTACH SECTION “8B” (“12B”) LED LIGHT COVER TO FIXTURE HOUSING. PLUG QUICK DISCONNECT FROM SECTION “12B” INTO QUICK DISCONNECT ON SECTION “12C”. (FOR FXT – TUCK QUICK DISCONNECT UNDER JOINER PIECE). ATTACH SECTION “12C” LED LIGHT COVER TO FIXTURE HOUSING.



11. **FXT:** INSTALL ALL SELF-DRILLING SCREWS (PROVIDED) THROUGH THE HOLES NEAR THE TABS IN THE LED HOUSING. (4) SCREWS TOTAL FOR 4FT SECTION, (8) SCREWS FOR 8FT SECTION, (12) SCREWS FOR 12FT SECTION.
12. **RMW:** REMOVE KNOCKOUT FOR QUARTER TURN FASTENER IN LED HOUSING WITH SCREWDRIVER. SECURE THE LED LIGHT COVER WITH QUARTER TURN FASTENERS (INCLUDED) - (2) FASTENERS TOTAL FOR 4FT SECTION, (4) FASTENERS TOTAL FOR 8FT SECTION, (6) FASTENERS TOTAL FOR 12FT SECTION. INSTALL SELF-DRILLING SCREWS (PROVIDED) THROUGH THE SLOTS ON THE LED LIGHT COVER. (2) SCREWS TOTAL FOR 4FT SECTION, (4) SCREWS FOR 8FT SECTION, (6) SCREWS FOR 12FT SECTION.
13. **RTR:** REMOVE KNOCKOUT FOR QUARTER TURN FASTENER IN LED HOUSING WITH SCREWDRIVER. SECURE THE LED LIGHT COVER WITH QUARTER TURN FASTENERS (INCLUDED) - (2) FASTENERS TOTAL FOR 4FT SECTION, (4) FASTENERS TOTAL FOR 8FT SECTION, (6) FASTENERS TOTAL FOR 12FT SECTION. INSTALL ALL SELF-DRILLING SCREWS (PROVIDED) THROUGH THE HOLES NEAR THE TABS IN THE LED HOUSING. (4) SCREWS TOTAL FOR 4FT SECTION, (8) SCREWS FOR 8FT SECTION, (12) SCREWS FOR 12FT SECTION.
14. TURN ON ELECTRICITY AT THE CIRCUIT BREAKER, PANELBOARD, OR FUSE BOX.

