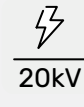
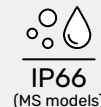
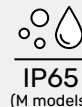


PROJECT NAME		DATE	
CAT. NUMBER			
NOTES			

SPEC SHEET

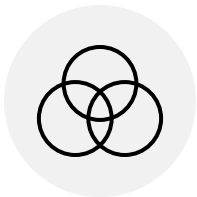
Large Area (LA1)

LED AREA & SPORTS LIGHT



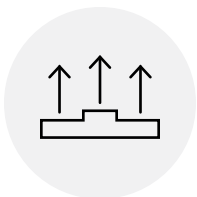
KEY FEATURES

- Up to 252,000 Lumens
- Up to 155 LPW
- Durable Die-Cast Aluminum Housing
- 20kV/10kA Surge Protection
- Flicker-Free
- 3G Vibration Rated
- Corrosion Resistant



White and RGB Models

Choose high-performance white illumination or dynamic color-changing options for enhanced atmosphere, and event versatility.



Superior Heat Dissipation

Die-cast aluminum housing and heat sink improve thermal transfer, keeping LEDs cool to increase performance and life.



Wet Location Rated (IP66)

The fixture withstands extreme outdoor weather conditions and it is protected against dust, water, and contaminants.

FEATURES & SPECIFICATIONS

CONSTRUCTION

- **Housing:** Aluminum die-cast.
- **Housing Color:** Gray. Other colors available upon request.
- **Heat Sink:** Cast aluminum.
- **Corrosion Resistance:** Scribe creepage rating of 8 per ASTM D1654 after 500-hour salt fog exposure (ASTM B117-2019). Test Conditions: Temperature: 23.7°C; Humidity: 56% RH; Saline concentration: 5% NaCl; PH value: 7.0; Salt buckets temperature: 35°C; Pressure buckets temperature: 47°C; Spray volume: 1.5 ml/ 80cm²/h.

ELECTRICAL

- **Power Input:** 120-277V or 200-480V (50/60Hz).
- **Power Factor:** Greater than 0.9.
- **Total Harmonic Distortion:** Less than 20%.
- **Surge Protection:** 20kV/10kA, standard.

OPERATION

- **Environment:** Wet location for exterior applications. MS models are IP66 rated, M models are IP65 rated.
- **Ambient Range Operation:** -40°C up to 45°C (-40°F up to 113°F).

OPTICS

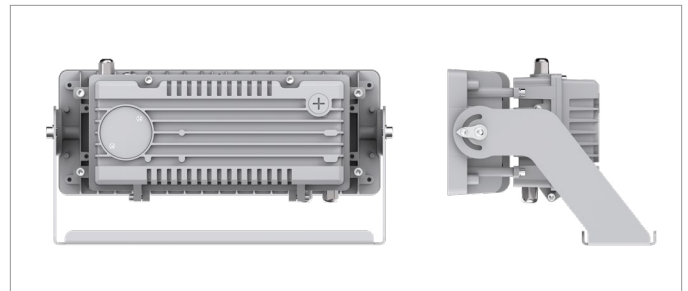
- **CCT:** 3000K, 4000K, 4500K, 5000K, or 5700K.
- **CRI:** 70+ standard.
- **Lens:** NEMA symmetric and asymmetric distribution patterns available (NEMA 1x1, 3x3, 4x4, 5x5, 4x5), depending on the model.
- **Glare Shields:** Included. Field installed.

MOUNTING

- **Mounting Options:** Integrated Trunnion bracket (standard).

CONTROLS

- **Dimming:** 0-10V standard (dimming range 100% to 10%).
- **Fast-Switching Sports Lighting Controls:** Synapse controls available as an accessory (must order DALI option). Additional accessories, services and subscriptions available, contact factory.



WARRANTY

- **5 Year Performance Warranty:** Performance of the light fixture is guaranteed for 5 years, including lumen maintenance (L70), color temperature, and LED driver. "Defective" is considered if ten percent (10%) or more of the LEDs, per product, are non-operating LEDs, total lumen depreciation exceeds 30% (L70), or color temperature has shifted more than 500° Kelvin within the warranty period. See terms and conditions at <https://linmoreled.com/warranty>

LISTINGS & CERTIFICATIONS

- cUL.
- UL 1598.
- RoHS compliant.
- IP66 rated (MS models). IP65 rated (M models).
- IK08 rated.
- 3G vibration rated as per ANSI C136.31-2023.
- Compliant with ANSI C82.77:2002 for THD requirements.
- 20kV/10kA surge protection as per ANSI/IEEE C62.41.
- DesignLights™ Consortium Premium.

TECHNICAL SPECS

SIZE	LUMENS	WATTS	EFFICACY	PART NUMBER
1MS	46,500	300	155	LA10S-A2-46K-1MS-50-70-N33-HV-GRY-TM-SRG20-10V
2MS	93,000	600	155	LA10S-A2-93K-2MS-50-70-N33-HV-GRY-TM-SRG20-10V
3MS	139,500	900	155	LA10S-A2-139K-3MS-50-70-N33-HV-GRY-TM-SRG20-10V
4MS	186,000	1,200	155	LA10S-A2-186K-4MS-50-70-N33-HV-GRY-TM-SRG20-10V
2M	150,000	1,000	150	LA10S-A2-150K-2M-50-70-N33-HV-GRY-TM-SRG20-10V
2M	168,000	1,200	140	LA10S-A2-168K-2M-50-70-N33-HV-GRY-TM-SRG20-10V
3M	225,000	1,500	150	LA10S-A2-225K-3M-50-70-N33-HV-GRY-TM-SRG20-10V
3M	252,000	1,800	140	LA10S-A2-252K-3M-50-70-N33-HV-GRY-TM-SRG20-10V

Typical lumen output (±10%) at 277V (HV) under 25°C ambient temperature.

ORDERING

SERIES MODEL - COMPLIANCE - LUMENS - SIZE	COLOR TEMP		CRI	LENS		VOLTAGE
LA10S-A2-46K-1MS LA10S-A2-93K-2MS LA10S-A2-139K-3MS LA10S-A2-186K-4MS	57 5700K	40 4000K	70 (Standard)	For MS models only N33 Symmetric Distribution Pattern NEMA 3x3. (Standard)	For M models only N11 Symmetric Distribution Pattern NEMA 1x1	LV 120-277V (for 1MS, 2MS and 3MS only) HV 200-480V (for all models)
LA10S-A2-150K-2M LA10S-A2-168K-2M LA10S-A2-225K-3M LA10S-A2-252K-3M	50 5000K	30 3000K		N44 Symmetric Distribution Pattern NEMA 4x4	N33 Symmetric Distribution Pattern NEMA 3x3. (Standard) The only option compatible with RGB	
	45 4500K	RGB Red/Green/Blue LEDs (for M models only)		N55 Symmetric Distribution Pattern NEMA 5x5.	N45 Asymmetric Distribution Pattern NEMA 4x5	

COLOR	MOUNTING	OPTIONS		DIMMING
GRY Gray (standard) CUS Custom. Contact Factory.	TM Trunnion (Yoke) Bracket (Standard)	SRG20 20kV/10kA Surge Protection (standard)	REM65 65' Cord for Remote LED Driver. IP65 Rated.	10V 0-10V DALI DALI2/D4i (Must order DALI for Synapse controls) DMX DMX-RDM
		REM35 35' Cord for Remote LED Driver. IP65 Rated.	REM80 80' Cord for Remote LED Driver. IP65 Rated.	
		REM50 50' Cord for Remote LED Driver. IP65 Rated.	REM100 100' Cord for Remote LED Driver. IP65 Rated.	

Ordering Example: LA10S-A2-93K-2MS-50-70-N44-HV-GRY-TM-SRG20-10V

Ordering Example with Remote Driver: LA10S-A2-93K-2MS-50-70-N44-HV-GRY-TM-SRG20-REM35-10V

ACCESSORIES

Must be ordered separately. Packaged separately.

ACCESSORIES

LP	Green Laser Pen. Battery Not Included. Requires One 18650 Battery.
CAB-10K-6D-LV	10 KW Driver Cabinet with 6 driver capacity for 120-277V.
CAB-10K-6D-HV	10 KW Driver Cabinet with 6 driver capacity for 200-480V.
CAB-10K-8D-LV	10 KW Driver Cabinet with 8 driver capacity for 120-277V.
CAB-10K-8D-HV	10 KW Driver Cabinet with 8 driver capacity for 200-480V.



BUG RATINGS

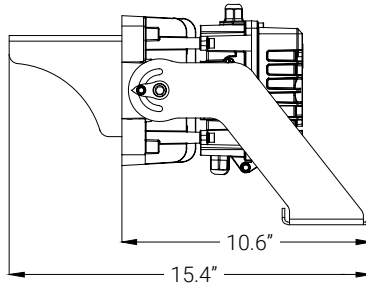
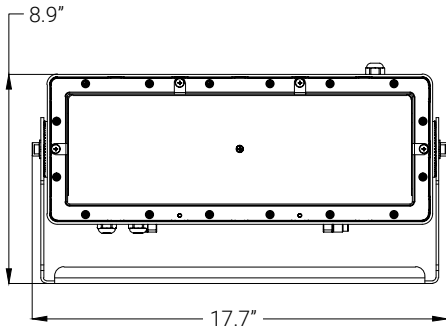
SIZE	BUG RATING
1MS	B5-U0-G5
2MS	B5-U0-G5
3MS	B5-U0-G5
4MS	B5-U0-G5
2M	B5-U0-G5
3M	B5-U0-G5

EPA RATINGS

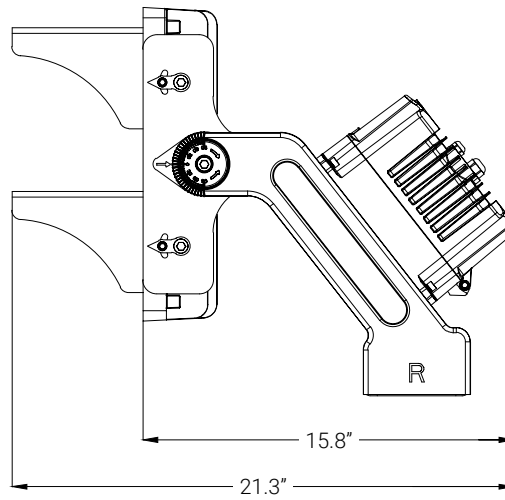
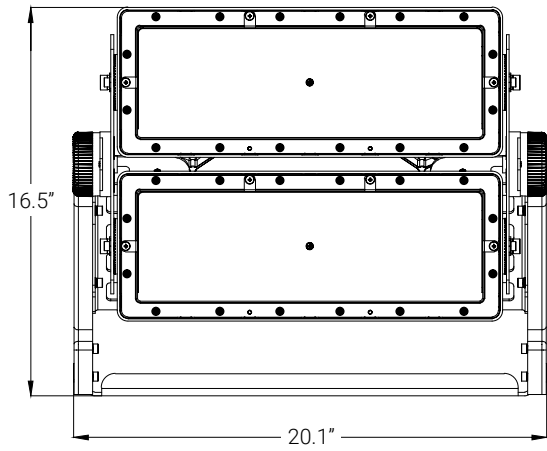
SIZE	EPA RATING
1MS	1.16 ft ²
2MS	2.30 ft ²
3MS	3.32 ft ²
4MS	4.30 ft ²
2M	3.70 ft ²
3M	5.50 ft ²

DIMENSIONS & DRAWINGS

1MS

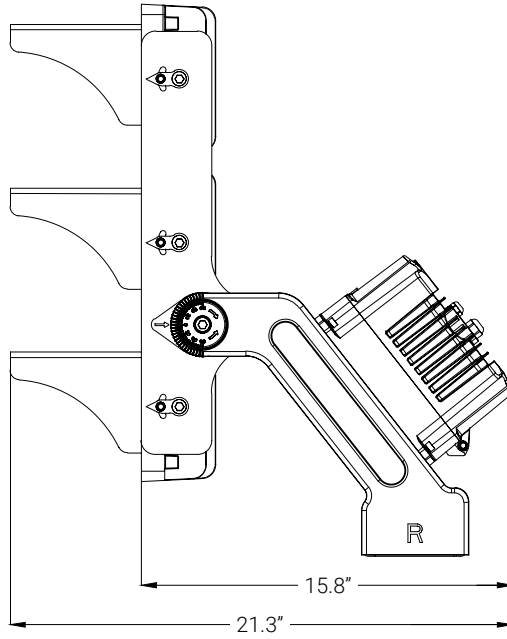
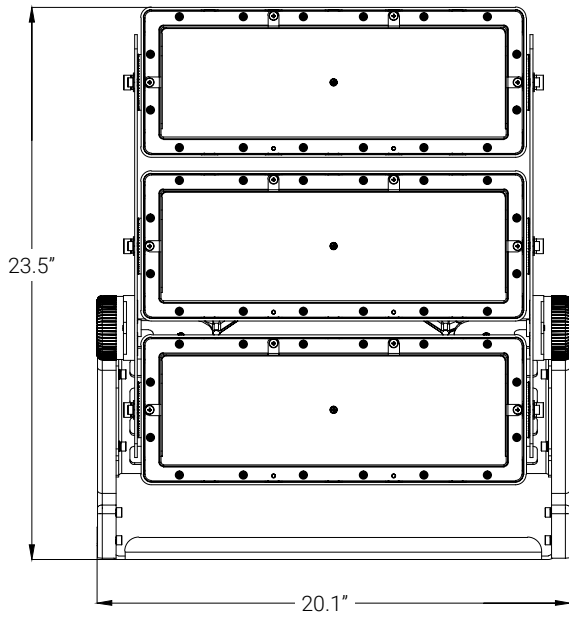


2MS

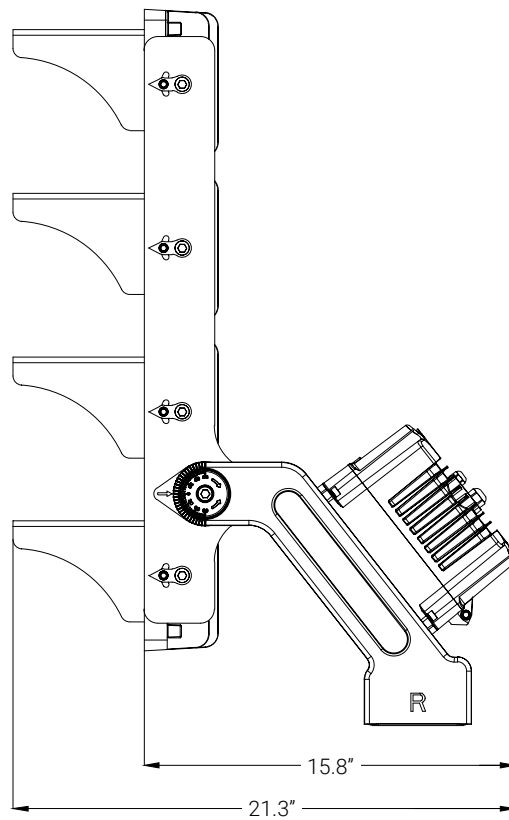
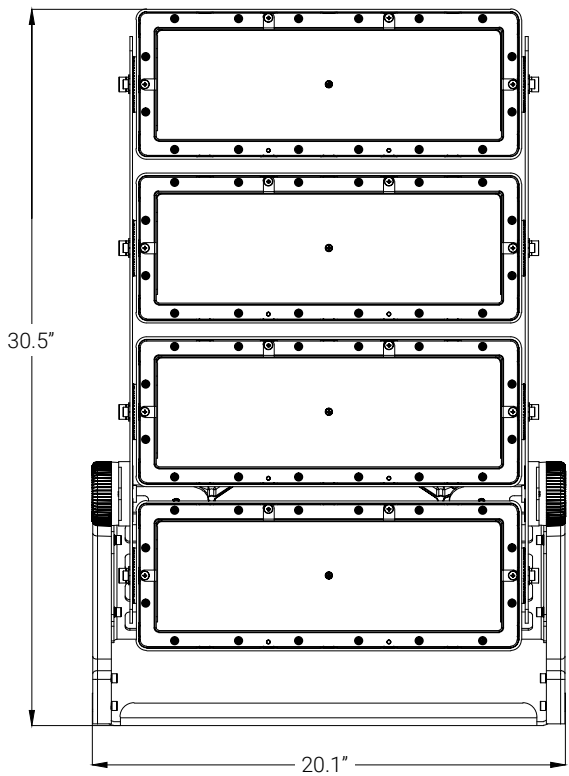


DIMENSIONS & DRAWINGS

3MS

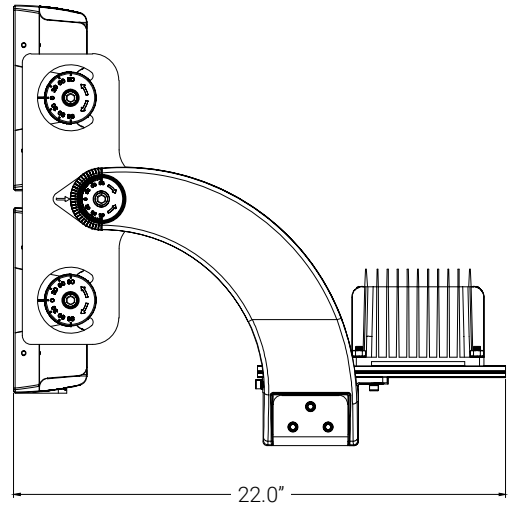
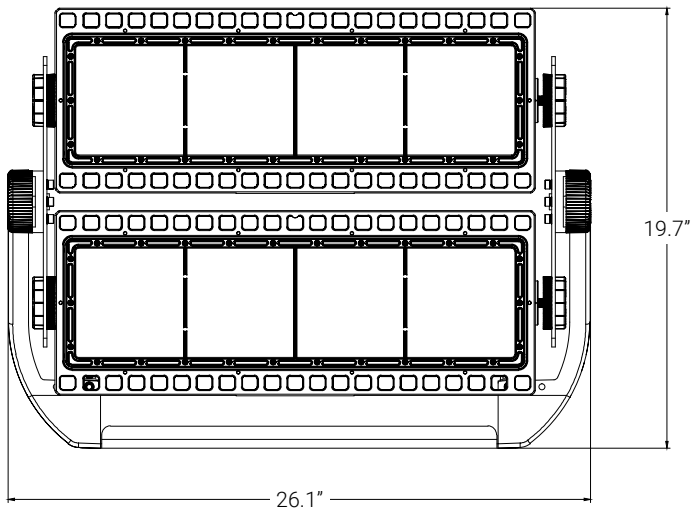


4MS

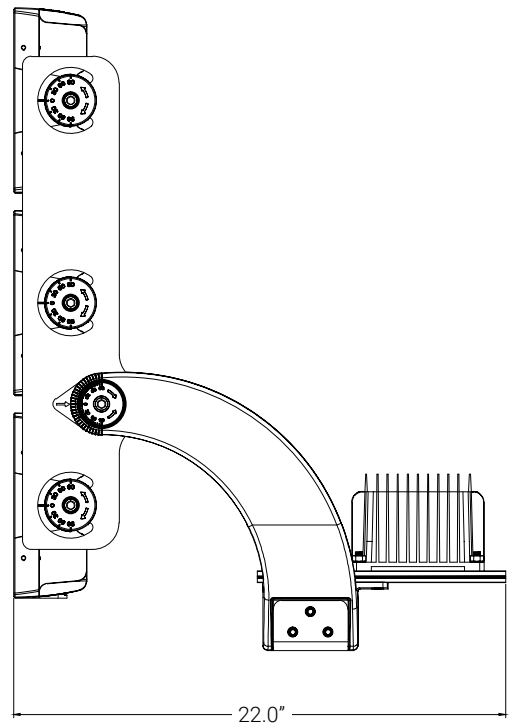
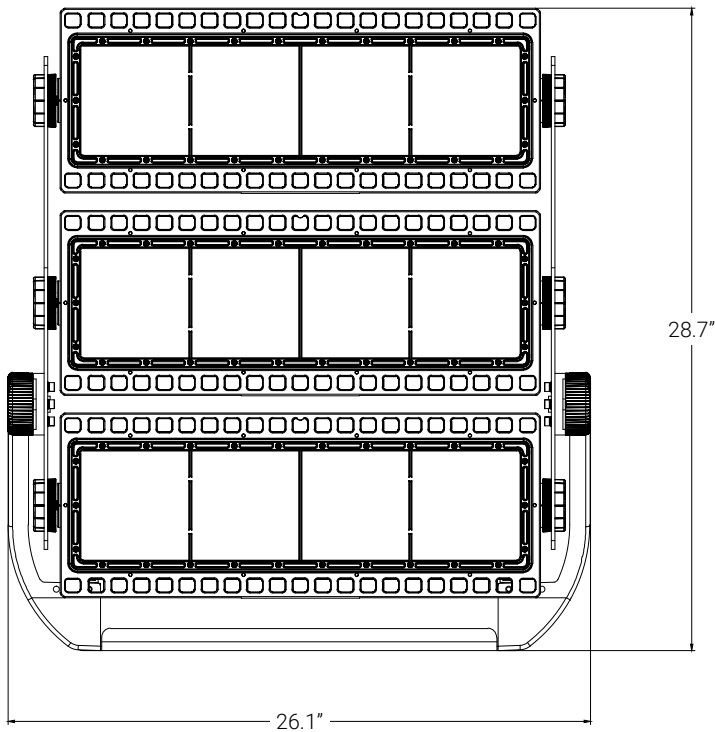


DIMENSIONS & DRAWINGS

2M



3M



Linmore

2360 S Orange Ave, Fresno, CA 93725
559 485 6010 | info@linmoreled.com | linmoreled.com



All specifications are subject to change without notice. Please visit linmoreled.com for latest information. All values are typical or design values and series averages. Actual performance may differ as a result of end-user environments and applications. Consult Linmore LED with specific inquiries. Copyright © 2026, Linmore LED Labs, Inc. All rights reserved. No part of this document may be reproduced in any form without the prior written permission of Linmore LED.

Updated: 2026/05/20