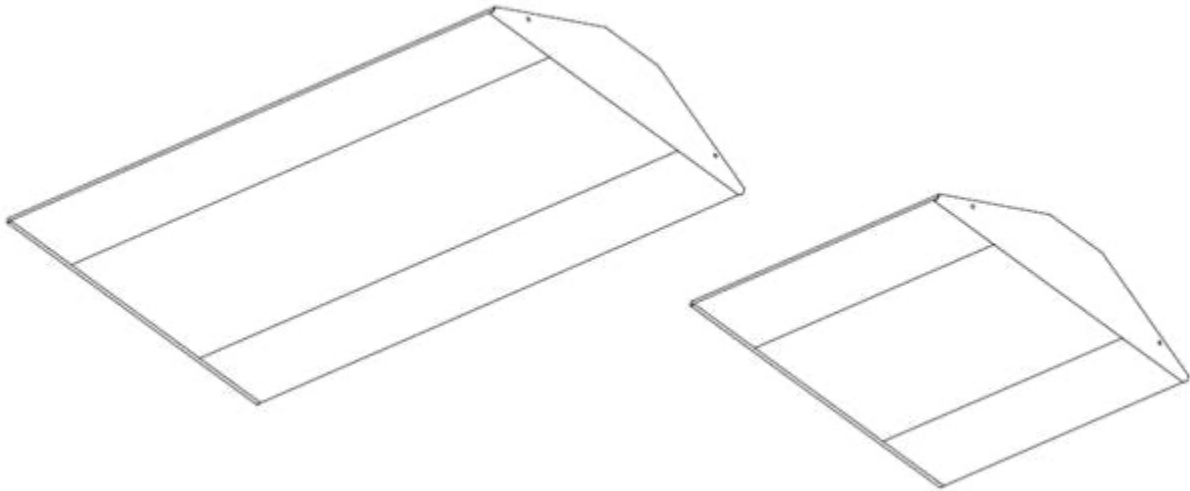




IMPORTANT: READ ALL INSTRUCTIONS THOROUGHLY AND CAREFULLY PRIOR TO INSTALLATION OF ESSENTIALS SERIES FIXTURES AND RETAIN FOR FUTURE REFERENCE

The High Output Troffer Series of commercial and industrial LED fixtures is designed to provide superior optical performance, quality, and versatility. The High Output Troffer Series is designed for use in 120/277V, 50/60Hz protected (max 20A) circuits. Size line voltage service wire as required per the National Electrical Code (NEC).



These instructions apply to the following part numbers:
 HT10S-A1-xxx-xxx-xx-xx-xx-xx-10V
 (Min: -40°C (-40°F) to Max 45°C (113°F))

GENERAL NOTES:

1. MAKE SURE ALL WIRE AND CONNECTORS ARE UL-LISTED. IF THE ELECTRICAL SYSTEM CONTAINS NO GROUNDING WIRE, CONSULT WITH A QUALIFIED ELECTRICIAN BEFORE PROCEEDING WITH THE INSTALLATION.

2. DO NOT MOUNT FIXTURE DIRECTLY TO ANY SURFACE. DOING SO WILL INHIBIT COOLING AND MAY VOID THE WARRANTY. MINIMUM 4" FROM CEILING REQUIRED. INCREASE DISTANCE FROM CEILING AT HIGH AMBIENT TEMPS.

ITEMS INCLUDED:

- HIGH OUTPUT TROFFER LED LIGHT FIXTURE
- MAY ALSO INCLUDE SOME OPTIONAL ACCESSORIES (IF ORDERED)

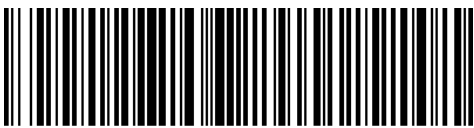
REFER TO SPECIFICATION SHEETS FOR ALL POSSIBLE OPTIONS.

ITEMS NOT INCLUDED:

(BUT REQUIRED FOR INSTALLATION)

PERSONAL PROTECTIVE EQUIPMENT

- SCREWDRIVER
- PLIERS
- SUPPLY CONDUCTORS (BUILDING LINE POWER)



www.linmoreled.com
 info@linmoreled.com
 559.485.6010





IMPORTANT: READ ALL INSTRUCTIONS THOROUGHLY AND CAREFULLY PRIOR TO INSTALLATION OF ESSENTIALS SERIES FIXTURES AND RETAIN FOR FUTURE REFERENCE

WARNING:

FAILURE TO FOLLOW THESE INSTRUCTIONS MAY RESULT IN DEATH, SERIOUS INJURY OR SIGNIFICANT PROPERTY DAMAGE.

THIS PRODUCT MUST BE INSTALLED IN ACCORDANCE WITH APPLICABLE BUILDING AND ELECTRICAL CODES, BY A QUALIFIED PERSON WHO IS FAMILIAR WITH THE CONSTRUCTION AND OPERATION OF THE PRODUCT AND THE HAZARDS INVOLVED.
 CE PRODUIT DOIT ÊTRE INSTALLÉ SELON LE CODE D'INSTALLATION PERTINENT, PAR UNE PERSONNE QUI CONNAÎT BIEN LE PRODUIT ET SON FONCTIONNEMENT AINSI QUE LES RISQUES INHÉRENTS.

- FULLY INSPECT LENS AND HOUSING OF THE FIXTURE PRIOR TO INSTALLATION. IF DAMAGED, NOTIFY FACTORY.
- TO AVOID ELECTRIC SHOCK: DISCONNECT ELECTRICAL POWER (LINE POWER) BEFORE AND DURING INSTALLATION AND MAINTENANCE.
- VERIFY SUPPLY VOLTAGE IS SAME AS RATED FIXTURE VOLTAGE. THE ELECTRICAL RATINGS OF THE FIXTURE ARE CLEARLY INDICATED ON THE PRODUCT LABEL.
- TROFFER FIXTURES ARE SUITABLE FOR DRY AND DAMP LOCATIONS ONLY. NON-IC RATED.
CONVIENT AUX EMPLACEMENTS HUMIDES. NON-IC ÉVALUÉ.
- BE CAUTIOUS OF ANY SHARP EDGES. WEAR PROPER SAFETY GEAR (SUCH AS GLOVES AND SAFETY GLASSES) WHILE HANDLING.
- USE INDOORS ONLY.
- TURN POWER OFF BEFORE SERVICING -- SEE INSTRUCTIONS.
- PROPERLY GROUND FIXTURE.

WARNING -

- ENSURE NO BARE WIRES ARE EXPOSED OUTSIDE THE ELECTRICAL CONNECTIONS.
- TO PREVENT WIRING DAMAGE OR ABRASION, DO NOT EXPOSE WIRING TO EDGES OR OTHER SHARP OBJECTS.
- ONLY THOSE OPEN HOLES INDICATED IN THE PHOTOGRAPHS AND/OR DRAWINGS MAY BE MADE OR ALTERED AS A RESULT OF KIT INSTALLATION. DO NOT LEAVE ANY OTHER OPEN HOLES IN AN ENCLOSURE OF WIRING OR ELECTRICAL COMPONENTS.
- SEULS LES OUVERTURES INDIQUÉES DANS LES PHOTOS ET/OU LES DESSINS PEUVENT ÊTRE FAITS OU MODIFIÉS À LA SUITE DE L'INSTALLATION DU NÉCESSAIRE. IL EST INTERDIT DE LAISSER D'AUTRES OUVERTURES DANS UN BOÎTIER DE CÂBLAGE OU DE COMPOSANTS ÉLECTRIQUES.
- SUITABLE FOR OPERATION IN AMBIENT NOT EXCEEDING 45°C.
PEUT ÊTRE UTILISÉ À UNE TEMPÉRATURE AMBIANTE N'EXCÉDANT PAS 45°C.

CAUTION - RISK OF PERSONAL INJURY

ACCOUNT FOR SMALL PARTS AND DESTROY PACKING MATERIAL, AS THESE MAY BE HAZARDOUS TO CHILDREN

CAUTION - RISK OF FIRE

- MINIMUM 75° C SUPPLY CONDUCTORS.
LES FILS D'ALIMENTATION 75°C MIN

CAUTION - RISK OF ELECTRIC SHOCK

THESE INSTRUCTIONS DO NOT ATTEMPT TO COVER ALL INSTALLATION AND MAINTENANCE SITUATIONS. FOR MORE INFORMATION OR QUESTIONS REGARDING THE INSTALLATION OR USE OF THE ESSENTIALS FIXTURE, CALL 913-851-3000 OR EMAIL AT info@linmoreled.com

MAINTENANCE

DUST LENS PERIODICALLY. THE FROSTED LENS CAN BE CLEANED WITH DAMP OR DRY CLOTH. NO SPECIAL CLEANER REQUIRED.

TROUBLESHOOTING

TURN ELECTRICITY OFF AT THE MAIN CIRCUIT BREAKER, PANELBOARD, FUSE BOX OR DISCONNECT. DO NOT ATTEMPT TO TROUBLESHOOT WITH THE POWER ON.

ISSUE 1 - LIGHT DOES NOT COME ON

1. VERIFY THAT POWER IS BEING DELIVERED TO THE FIXTURE. CHECK ALL UPSTREAM CIRCUIT BREAKERS, FUSES AND DISCONNECT TO ENSURE THEY ARE ON AND IN PROPER WORKING ORDER.
2. CONFIRM ALL ELECTRICAL CONNECTIONS ARE COMPLETE AND CONTINUOUS.
3. IF THE ISSUE REMAINS UNRESOLVED, CONTACT LINMORE LED.

ISSUE 2 – IF SHADOWING IS SEEN IN THE LENS

1. A REPLACEMENT FIXTURE MAY BE REQUIRED, CONTACT LINMORE LED.

WARRANTY SUPPORT

PHONE: 559.485.6010

EMAIL: info@linmoreled.com



www.linmoreled.com

info@linmoreled.com

559.485.6010



Rev 111021



IMPORTANT: READ ALL INSTRUCTIONS THOROUGHLY AND CAREFULLY PRIOR TO INSTALLATION OF ESSENTIALS SERIES FIXTURES AND RETAIN FOR FUTURE REFERENCE

GENERAL INSTRUCTIONS:

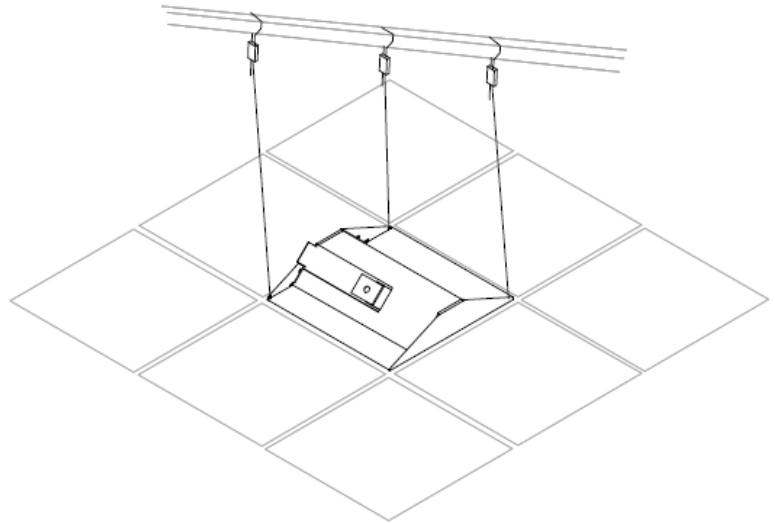
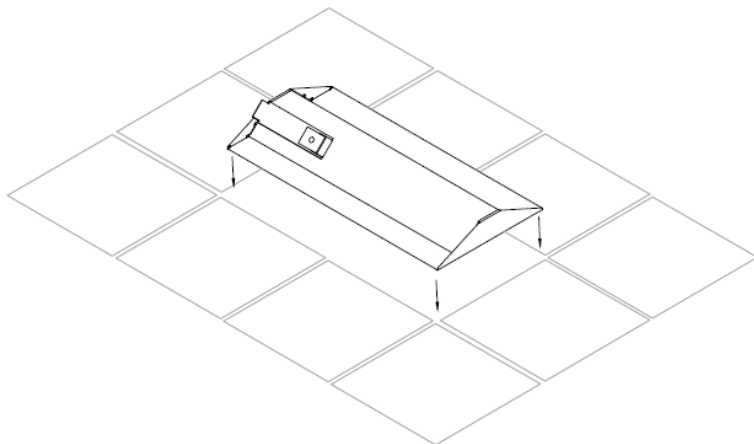
PREPARING TO INSTALL

1. CONSULT A LOCAL LICENSED ELECTRICIAN OR ELECTRICAL CONTRACTOR PRIOR TO INSTALLATION.
2. REVIEW WARNINGS FOUND IN THIS DOCUMENT PRIOR TO STARTING WORK.
3. TURN OFF ELECTRICITY AT THE MAIN CIRCUIT BREAKER, PANELBOARD, FUSE BOX OR DISCONNECT.
DO NOT ATTEMPT TO INSTALL FIXTURE WITH THE POWER ON.
4. ENSURE FIXTURE IS PROPERLY RATED FOR INTENDED INSTALLATION LOCATIONS.
5. FIXTURE IS NON IC RATED.
6. ENSURE PROPER CLEARANCES ABOVE PLENUM AROUND FIXTURE.

GRID MOUNT (GRID)

PREPARING TO INSTALL – VIA KNOCKOUT ON BACK SIDE OF FIXTURE

1. REFER TO GENERAL INSTRUCTIONS AT THE BEGINNING OF THIS SECTION.
2. LAY FIXTURE AT DESIRED LOCATION IN GRID CEILING.
3. SECURE TROFFER TO STRUCTURE WITH SEISMIC WIRES (NOT PROVIDED), SAFETY CABLE (ORDERED SEPARATELY) OR CHAIN (NOT PROVIDE) OR HURRICANE CLIPS (NOT PROVIDED). TROFFERS SHALL BE INDEPENDENTLY SECURED TO BUILDING STRUCTURE AT EITHER 2 OR 3 POINTS OF CONNECTION AS REQUIRED BY LOCAL CODES.
4. MAKE FINAL WIRING CONNECTIONS (REFER TO WIRING INSTRUCTIONS AT THE END OF THIS SECTION).
5. CLOSE COVER AND TIGHTEN SCREWS (SUPPLIED) IN DRIVER BOX COVER.



www.linmoreled.com
info@linmoreled.com
559.485.6010



Rev 111021

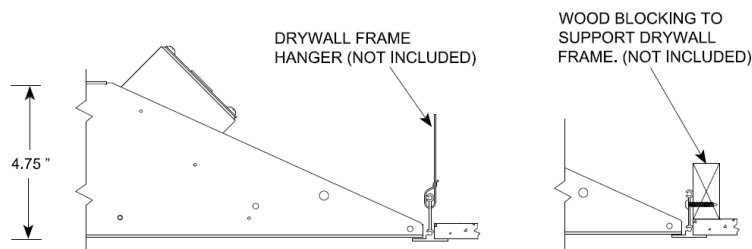
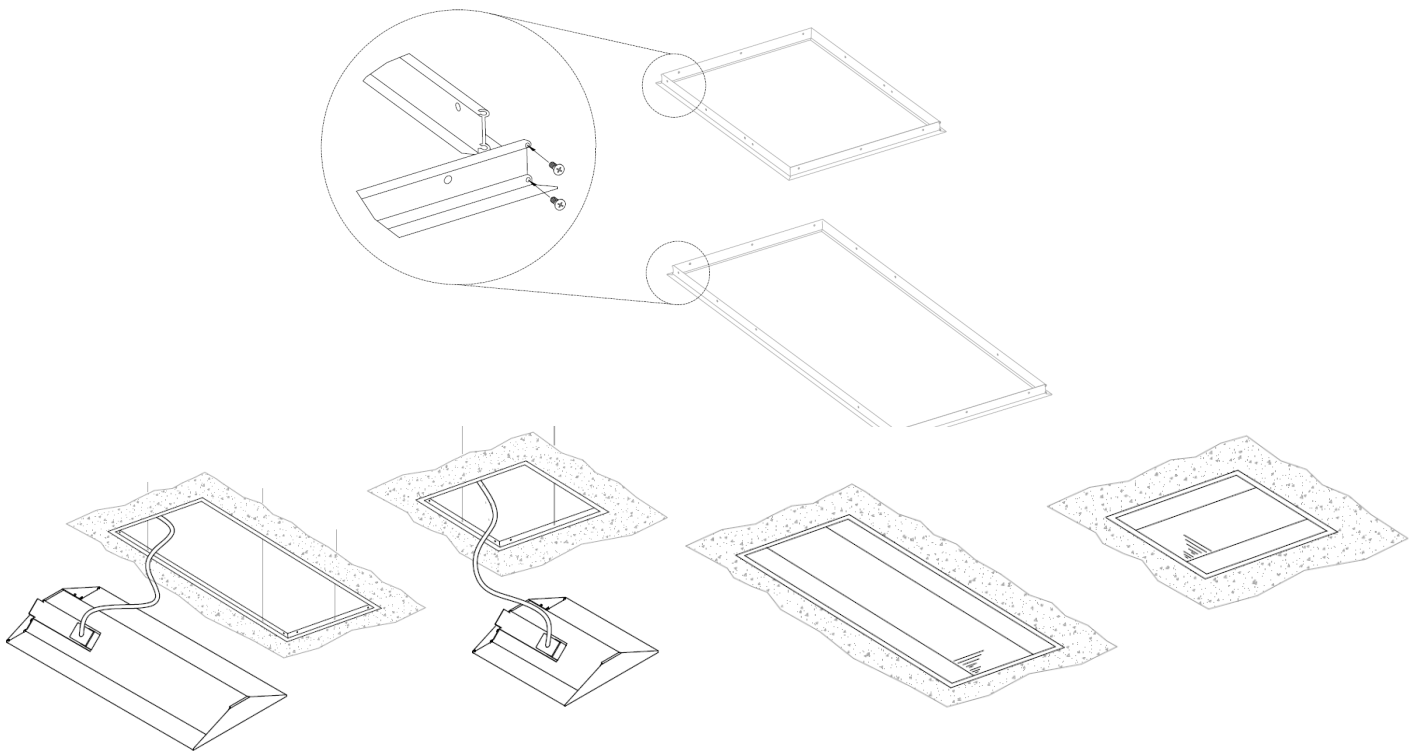


IMPORTANT: READ ALL INSTRUCTIONS THOROUGHLY AND CAREFULLY PRIOR TO INSTALLATION OF ESSENTIALS SERIES FIXTURES AND RETAIN FOR FUTURE REFERENCE

SURFACE MOUNT – DRYWALL MOUNTING (ORDERED AS A SEPARATE ACCESSORY)

PREPARING TO INSTALL

1. REFER TO GENERAL INSTRUCTIONS AT THE BEGINNING OF THIS SECTION.
2. **THE FIXTURE IS SUITABLE ONLY FOR INDOOR RECESSED CEILING APPLICATIONS.**
3. NOMINAL SHEETROCK CUT-OUT OPENING IS 24 5/8" X 24 5/8" FOR A 2x2 HT FIXTURE OR 24 5/8" X 48 5/8" FOR A 2x4 HT FIXTURE.
4. ASSEMBLE THE APPROPRIATE DRYWALL KIT WITH THE SCREWS PROVIDED.
5. SUPPORT THE DRYWALL KIT TO THE BUILDING STRUCTURE BY HANGER WIRES (PROVIDED BY OTHER), ALTERNATIVELY SCREW TO WOOD BLOCKING (SUPPLIED BY OTHER).
6. INSTALL FIXTURE INTO RESERVED HOLE IN DRYWALL KIT.
7. SECURE SUSPENSION CABLE (ORDERED SEPARATELY) OR CHAIN (NOT INCLUDED) OR HURRICANE CLIPS (NOT INCLUDED, SUPPLIED BY OTHER) TO STRUCTURE.
8. ATTACH SUSPENSION CABLE OR CHAIN OR HURRICANE CLIPS TO ALL TABS AS REQUIRED BY LOCAL CODES.
9. MAKE FINAL WIRING CONNECTIONS (REFER TO WIRING INSTRUCTIONS AT THE END OF THIS SECTION).
10. CLOSE COVER AND TIGHTEN SCREWS (SUPPLIED) IN DRIVER BOX COVER.



001-2962 REV 02

www.linmoreled.com
 info@linmoreled.com
 559.485.6010



Rev 111021



IMPORTANT: READ ALL INSTRUCTIONS THOROUGHLY AND CAREFULLY PRIOR TO INSTALLATION OF ESSENTIALS SERIES FIXTURES AND RETAIN FOR FUTURE REFERENCE

WIRING INSTRUCTIONS:

MAKING FINAL ELECTRICAL CONNECTIONS – HARDWIRED

1. **WIRING:** EXTEND BUILDING POWER WIRING TO TOP OF FIXTURE AND FEED THROUGH 3/4" OPENING ON BACK OF FIXTURE. PROVIDE UL/ETL APPROVED STRAIN RELIEF.
2. **OPEN DRIVER BOX COVER:** LOOSEN TWO SCREWS ON THE WIRE COMPARTMENT WITH A PHILLIPS #2 SCREWDRIVER. TAKE CARE NOT TO DAMAGE THE FIXTURE. REMOVE KNOCKOUT IN WIRE COMPARTMENT FOR STRAIN RELIEF ON BUILDING POWER WIRES.
3. MAKE FINAL ELECTRICAL CONNECTIONS INSIDE DRIVER BOX PER ALL APPLICABLE CODES - BLACK TO BLACK (HOT/LINE/LIVE); WHITE TO WHITE (NEUTRAL) AND GREEN (OR BARE) TO GREEN (GROUND). MAKE SURE ELECTRICAL CONNECTIONS ARE SECURE AND ENSURE NO BARE WIRES ARE EXPOSED.
4. **DIMMING (IF APPLICABLE):** MAKE FINAL ELECTRICAL CONNECTIONS INSIDE DRIVER BOX PER ALL APPLICABLE CODES – VIOLET TO VIOLET (DIM +), GREY TO GREY (DIM -). MAKE SURE ELECTRICAL CONNECTIONS ARE CONTINUOUS AND ENSURE NO BARE WIRES ARE EXPOSED.
5. **EMERGENCY BATTERY BACKUP (EMB) OPTION (WITH SWITCH LEG):** MAKE FINAL ELECTRICAL CONNECTIONS INSIDE DRIVER BOX PER ALL APPLICABLE CODES - BLACK TO BLACK (HOT/LINE/LIVE); RED (SWITCH LEG) TO BLACK (WITH FLAG); WHITE TO WHITE (NEUTRAL) AND GREEN (OR BARE) TO GREEN (GROUND). MAKE SURE ELECTRICAL CONNECTIONS ARE SECURE AND ENSURE NO BARE WIRES ARE EXPOSED.
6. **EMERGENCY BATTERY BACKUP (EMB) OPTION (WITHOUT SWITCH LEG):** MAKE FINAL ELECTRICAL CONNECTIONS INSIDE DRIVER BOX PER ALL APPLICABLE CODES - BLACK TO BLACK (HOT/LINE/LIVE); REMOVE WAGO FROM FIXTURE BLACK (WITH FLAG) WIRE AND PLACE IN WAGO WITH BLACK WIRES (HOT/LINE/LIVE); WHITE TO WHITE (NEUTRAL) AND GREEN (OR BARE) TO GREEN (GROUND). MAKE SURE ELECTRICAL CONNECTIONS ARE SECURE AND ENSURE NO BARE WIRES ARE EXPOSED.
7. NEATLY ARRANGE WIRES IN DRIVER BOX. PAY CLOSE ATTENTION ALL WIRES AND CONNECTIONS ARE PROPERLY LAYING INSIDE FIXTURE DRIVER BOX BEFORE CLOSING.
8. **CLOSE COVER:** GENTLY PLACE THE COVER BACK ON THE DRIVER BOX. TIGHTEN SCREWS (SUPPLIED) IN COVER.
9. TURN ELECTRICITY ON AT THE CIRCUIT BREAKER, PANELBOARD, OR FUSE BOX – FIXTURE SHOULD ILLUMINATE. IF IT DOESN'T, REFER TO TROUBLESHOOTING INSTRUCTIONS OR CALL TECHNICAL SUPPORT (913-851-3000).

MANUFACTURER WARNINGS FOR EMERGENCY BATTERY BACKUP (EMB):

1. **IMPORTANT:** WHEN AC POWER IS APPLIED AND BATTERY IS IN CHARGE MODE, THE SYSTEM IS OK AND INDICATOR LIGHT IS SOLIDLY LIT. IT IS RECOMMENDED AND REQUIRED BY APPLICABLE CODE TO TEST EMERGENCY BALLAST TO ENSURE PROPER FUNCTION OF THE SYSTEM.
 - a. PUSH THE TEST SWITCH FOR >1 SECONDS EVERY 30 DAYS TO ENSURE THE EMERGENCY DRIVER IS FUNCTIONING PROPERLY.
 - b. CONDUCT A NINETY MINUTE (90) DISCHARGE TEST ONE TIME (1) PER YEAR, OR AS PER LOCAL CODE. LED LIGHT SOURCE SHOULD BE ILLUMINATED FOR A MINIMUM OF NINETY MINUTES (90).
2. **TESTING SYSTEM:** THE EMERGENCY BATTERY REQUIRES A CHARGE MINIMUM OF ONE (1) HOUR BEFORE TESTING THE CIRCUIT.
 - a. A FULL CHARGE REQUIRES TWENTY-FOUR (24) HOURS.
3. **CAUTION:** DO NOT MOUNT EMB FIXTURES NEAR GAS OR ELECTRIC HEATERS.
4. **CAUTION:** BATTERY IS RECHARGEABLE NiCad TYPE AND MUST BE RECYCLED OR DISPOSED OF PROPERLY.
5. SERVICING SHOULD ONLY BE PERFORMED BY QUALIFIED SERVICE PERSONNEL. DO NOT USE THIS EMERGENCY DRIVER FOR OTHER THAN INTENDED USE. EQUIPMENT SHOULD BE MOUNTED IN LOCATIONS AND AT HEIGHTS WHERE IT WILL NOT READILY BE SUBJECTED TO TAMPERING BY UNAUTHORIZED PERSONNEL.



001-2962 REV 02

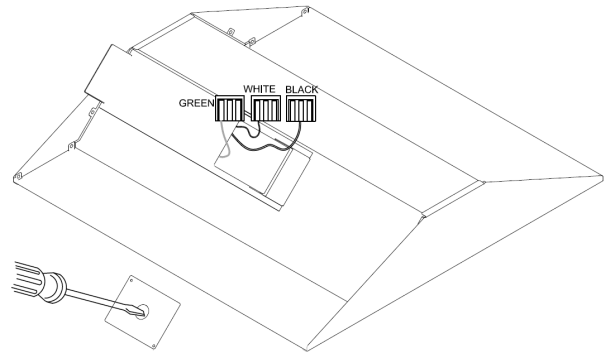
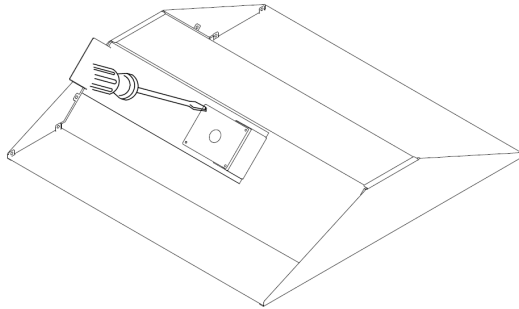
www.linmoreled.com
 info@linmoreled.com
 559.485.6010



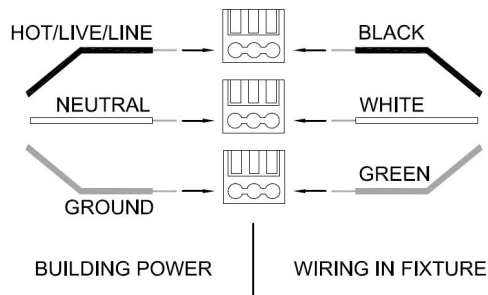
Rev 111021



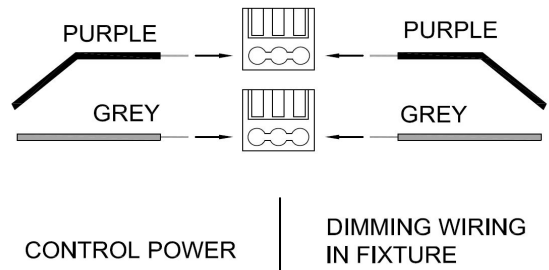
IMPORTANT: READ ALL INSTRUCTIONS THOROUGHLY AND CAREFULLY PRIOR TO INSTALLATION OF ESSENTIALS SERIES FIXTURES AND RETAIN FOR FUTURE REFERENCE



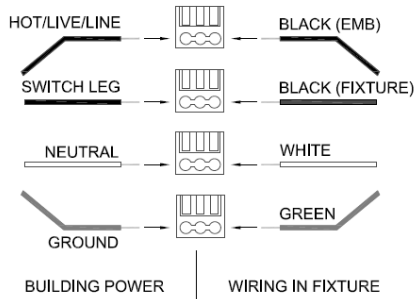
NORMAL POWER WIRING



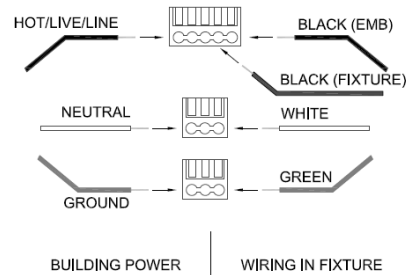
DIMMING WIRING



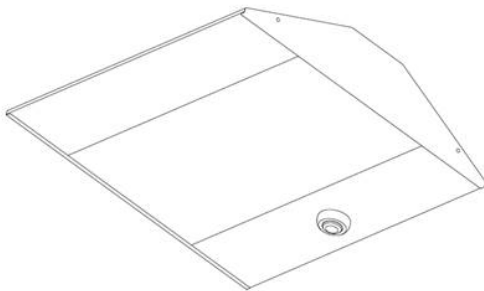
EMB WIRING (WITH SWITCH LEG)



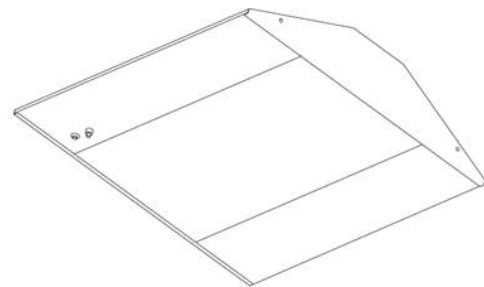
EMB WIRING (WITHOUT SWITCH LEG)



TROFFER WITH OCC SENSOR INSTALLED



TROFFER WITH EMB INDICATORS INSTALLED



001-2962 REV 02

www.linmoreled.com
 info@linmoreled.com
 559.485.6010



Rev 111021