

PROJECT NAME		DATE	
CAT. NUMBER			
NOTES			

SPEC SHEET

High Mast (HM1)

LED HIGH MAST LIGHT



IP65



IK08



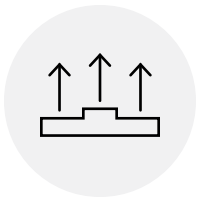
20kV



0-10V

KEY FEATURES

- Up to 108,000 Lumens
- Up to 145 LPW
- Durable Die-Cast Aluminum Housing
- 20kV/10kA Surge Protection
- Flicker-Free
- 3G Vibration Rated
- Corrosion Resistant



Superior Heat Dissipation

Die-cast aluminum housing and heat sink improve thermal transfer, keeping LEDs cool to increase performance and life.



Wet Location Rated (IP65)

The fixture withstands extreme outdoor weather conditions and it is protected against dust, water, and contaminants.



NEMA Receptacle

Add a photocell sensor or an additional surge protector device at any time in the field. Twist Lock system, no tools or wiring needed.

FEATURES & SPECIFICATIONS

CONSTRUCTION

- **Housing:** Aluminum die-cast.
- **Housing Color:** Gray. Other colors available upon request.
- **Heat Sink:** Cast aluminum.
- **Corrosion Resistance:** Scribe creepage rating of 8 per ASTM D1654 after 500-hour salt fog exposure (ASTM B117-2019). Test Conditions: Temperature: 23.7°C; Humidity: 56% RH; Saline concentration: 5% NaCl; PH value: 7.0; Salt buckets temperature: 35°C; Pressure buckets temperature: 47°C; Spray volume: 1.5 ml/ 80cm²/h.

ELECTRICAL

- **Power Input:** 120-277V or 277-480V (50/60Hz).
- **Power Factor:** Greater than 0.9.
- **Total Harmonic Distortion:** Less than 20%.
- **Surge Protection:** 20kV/10kA, standard.

OPERATION

- **Environment:** Wet location for exterior applications. IP65 rated.
- **Ambient Range Operation:** -40°C up to 45°C (-40°F up to 113°F).

OPTICS

- **CCT:** 3000K, 4000K, 4500K, 5000K, or 5700K.
- **CRI:** 70+ standard.
- **Lens:** NEMA symmetric and asymmetric distribution patterns available. N77 lens with 155° x 155° beam angle and N75 lens with 150° x 80° beam angle.
- **Glare Shields:** Available as an accessory. Field installed.

MOUNTING

- **Mounting Options:** Integrated Slip Fitter (standard).

CONTROLS¹

- **Dimming:** 0-10V standard (dimming range 100% to 10%).
- **Photocell Sensor:** On/Off based on ambient light. Twist Lock NEMA receptacle for field installation sensors. Requires NEMA3 or NEMA7 option. Sensors sold separately (see Accessories).



WARRANTY

- **5 Year Performance Warranty:** Performance of the light fixture is guaranteed for 5 years, including lumen maintenance (L70), color temperature, and LED driver. "Defective" is considered if ten percent (10%) or more of the LEDs, per product, are non-operating LEDs, total lumen depreciation exceeds 30% (L70), or color temperature has shifted more than 500° Kelvin within the warranty period. See terms and conditions at <https://linmoreled.com/warranty>

LISTINGS & CERTIFICATIONS

- cUL.
- UL 1598.
- RoHS compliant.
- IP65 rated.
- IK08 rated.
- 3G vibration rated as per ANSI C136.31-2023.
- Compliant with ANSI C82.77:2002 for THD requirements.
- 20kV/10kA surge protection as per ANSI/IEEE C62.41.
- DesignLights™ Consortium Premium.

TECHNICAL SPECS

SIZE	LUMENS	WATTS	EFFICACY	LENS	PART NUMBER
LG	29,000	200	145	N77	HM10S-A2-29K-LG-50-70-N77-LV-GRY-ISF-10V
LG	43,000	300	143	N77	HM10S-A2-43K-LG-50-70-N77-LV-GRY-ISF-10V
LG	72,000	500	144	N77	HM10S-A2-72K-LG-50-70-N77-LV-GRY-ISF-10V
LG	87,000	600	145	N77	HM10S-A2-87K-LG-50-70-N77-LV-GRY-ISF-10V
LG	108,000	750	144	N77	HM10S-A2-108K-LG-50-70-N77-LV-GRY-ISF-10V

Typical lumen output (±10%) at 277V (LV) under 25°C ambient temperature.

ORDERING

SERIES MODEL - COMPLIANCE - LUMENS - SIZE	COLOR TEMP		CRI	LENS	VOLTAGE
HM10S-A2-29K-LG HM10S-A2-43K-LG HM10S-A2-72K-LG HM10S-A2-87K-LG HM10S-A2-108K-LG	57 5700K	40 4000K	70 (Standard)	N77 Symmetric Distribution Pattern NEMA 7x7. Beam Angle: 155° x 155°	LV 120-277V HV 277-480V
	50 5000K	30 3000K		N75 Asymmetric Distribution Pattern NEMA 7x5. Beam Angle: 150° x 80°	
	45 4500K				

COLOR	MOUNTING	OPTIONS	DIMMING
GRY Gray	ISF Integrated Slip Fitter Bracket (standard)	SRG20 20kV/10kA Surge Protection (standard)	10V 0-10V
CUS Custom. Contact Factory.		NEMA3² 3-Pin Twist Lock Receptacle for external Photocells (on/off) and/or Surge Protectors	
		NEMA7² 7-Pin Twist Lock Receptacle for external Photocells (dimming capable) and/or Surge Protectors	

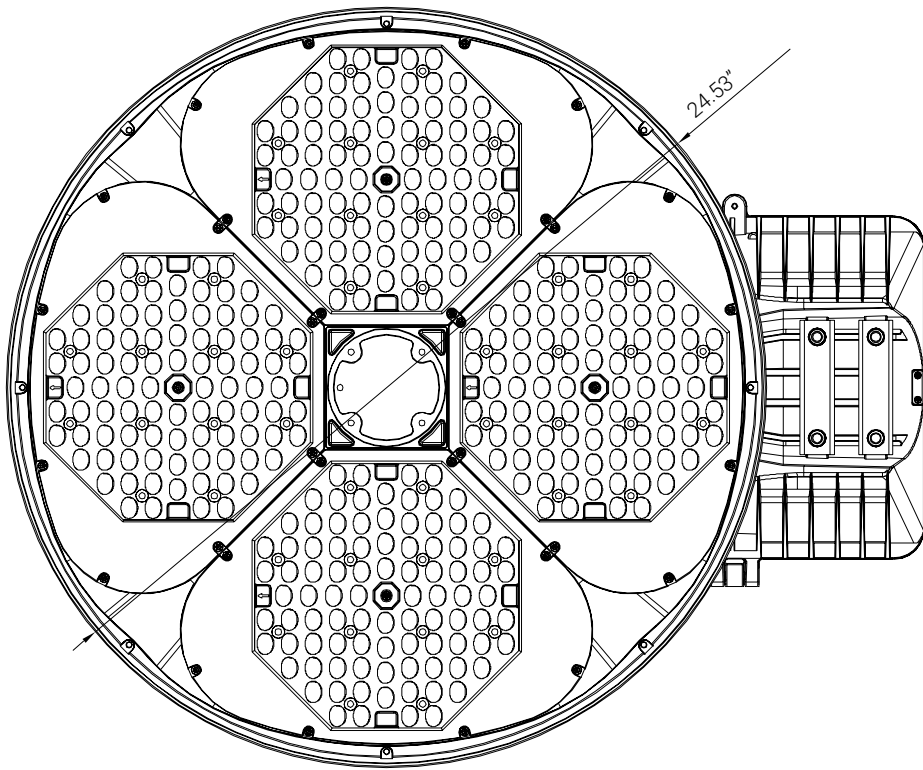
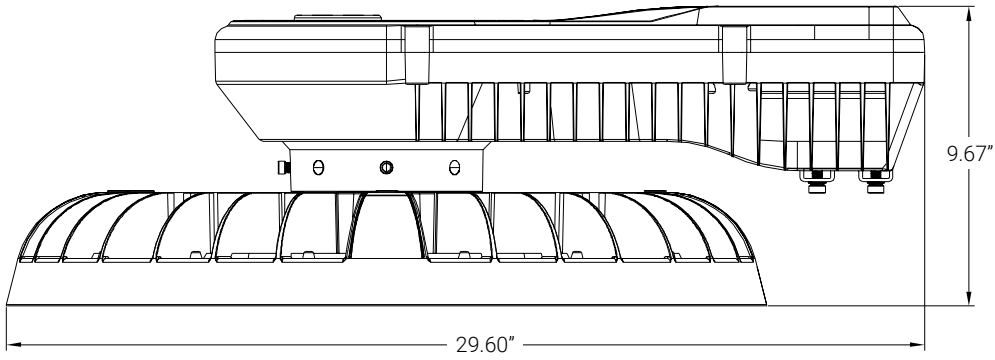
Ordering Example: HM10S-A2-29K-LG-50-70-N77-LV-GRY-ISF-10CW-SRG20-10V

ACCESSORIES

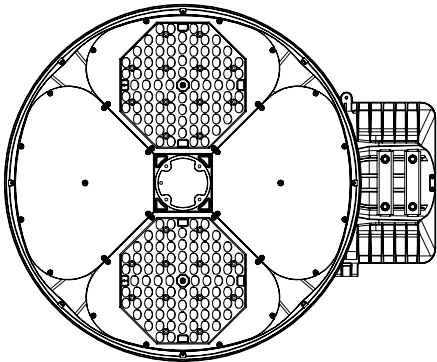
Must be ordered separately. Packaged separately.

ACCESSORIES	
HM1-GS-GRY	Glare Shield. Gray Color. Field installed.
PC-NEMA3	Photocell for NEMA3. Field installed.
PC-NEMA7	Photocell for NEMA7. Field installed.
SC-NEMA	Shorting cap for NEMA3 or NEMA7. Field installed.

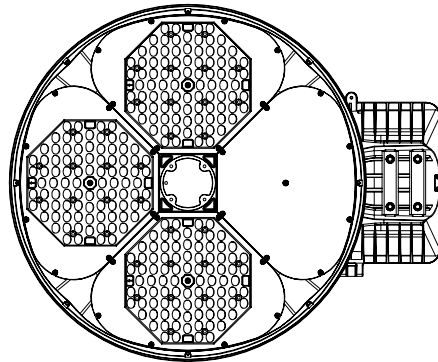
DIMENSIONS & DRAWINGS



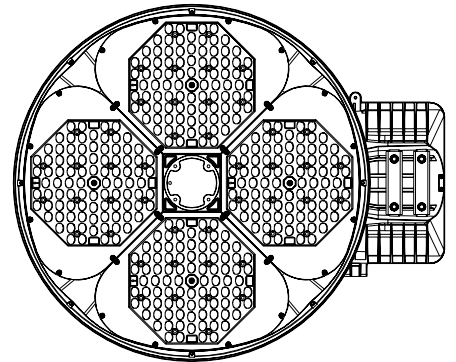
200 & 300W Models



450 & 500W Models



600 & 750W Models



EPA RATINGS

SIZE	EPA RATING
LG	1.49 ft ²

BUG RATINGS

SIZE	BUG RATING
LG	B5-U0-G5

FOOTNOTES

1. The performance of sensors and lenses is influenced by various factors beyond Linmore LED's control, including but not limited to environmental conditions, user settings, and proper maintenance. While we provide detailed specifications and guidelines to help optimize performance, we cannot guarantee or be held liable for the performance of sensors or lenses under any particular circumstance(s). Customers are advised to test the products in their specific application environments to ensure suitability for their intended use and are responsible for all sensor and lens selections.
2. Extended lead time.

Linmore

2360 S Orange Ave, Fresno, CA 93725
559 485 6010 | info@linmoreled.com | linmoreled.com



All specifications are subject to change without notice. Please visit linmoreled.com for latest information. All values are typical or design values and series averages. Actual performance may differ as a result of end-user environments and applications. Consult Linmore LED with specific inquiries. Copyright © 2026, Linmore LED Labs, Inc. All rights reserved. No part of this document may be reproduced in any form without the prior written permission of Linmore LED.

Updated: 2026/05/20