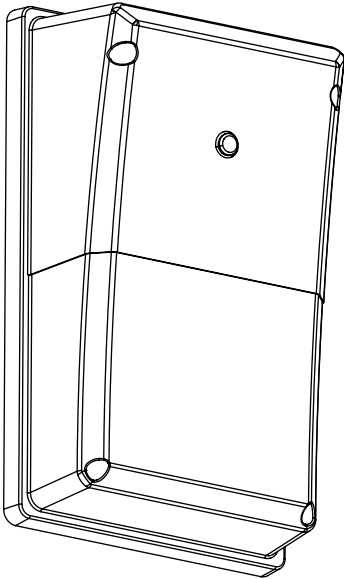


INSTALLATION INSTRUCTIONS

ACE LED WALL PACK SM (AW2)



Fixtures must be installed and wired in accordance with the National Electrical Code (NEC) and all applicable local codes by a person familiar with the construction and operation of the product and hazards involved.

Proper grounding is required for safety.

Check that voltage is compatible with fixture driver, use approved connectors for all electrical connections.

Be cautious of any sharp edges. Wear proper PPE (personal protected equipment) while handling.

Fixture not suitable for use in corrosive environments, and with thermal insulation.

Must use appropriate strain relief in accordance with local code when connecting power cord to junction box.

READ CAREFULLY BEFORE INSTALLING THE FIXTURE.

PLEASE KEEP THIS MANUAL FOR FUTURE USE.



WARNING

Risk of Fire or Electric Shock

Risk of fire or electric shock. Make sure power is off at the circuit breaker before installing or maintaining the product.

To prevent wiring damage or abrasion, do not expose wiring to edges of sheet metal or other sharp objects.

Installation guide requires knowledge of luminaire electrical systems. If not qualified, do not attempt installation. Contact a qualified electrician.

Never perform maintenance or cleaning while fixture is energized. Disconnect power and allow fixture to cool off before maintaining.



MAINTENANCE CAUTION

Review the diagrams before beginning and make sure the fixture is grounded properly.

For lighting controls, use driver wiring diagram.

Maintenance must be done by qualified electricians.

Use a clean, dry cloth to clean the fixture.

For any questions regarding wiring, installation, or use of this fixture, please call 559-485-6010 or email techsupport@linmoreled.com

TECHNICAL SPECS

Part No.	Watts (ADJ)	CCT (ADJ)	CRI	Input Voltage	PF	Dimmable	Warranty
AW20S-A2-ADJ-SM-ADJ-80-PL-LV-FXT-PC-10V	15 / 20 / 30	3000K 4000K 5000K	≥80	AC 120-277V	≥0.9	0-10V	5 Years

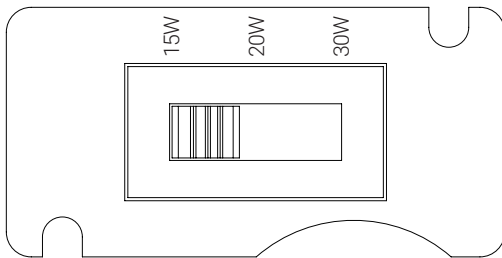
Ambient range operation: -40°C up to 50°C (-40°F up to 122°F).

Adjusting Wattage and Color Temperature

Fixtures ship from the factory with the highest wattage and 5000K CCT, to change these settings:

1. Turn off the fixture.
2. Loosen screws to remove the front cover of the fixture.
3. Adjust the corresponding dip switches to desired wattage and CCT.
4. Close the fixture by tightening screws.

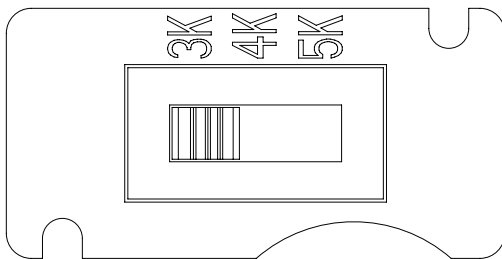
Wattage / Lumen Output



Watts	Lumen Output
15	1,950
20	2,600
30 (default)	3,900

Typical lumen output (±10%) at 4000K CCT and 277V (LV) under 25°C ambient temperature.

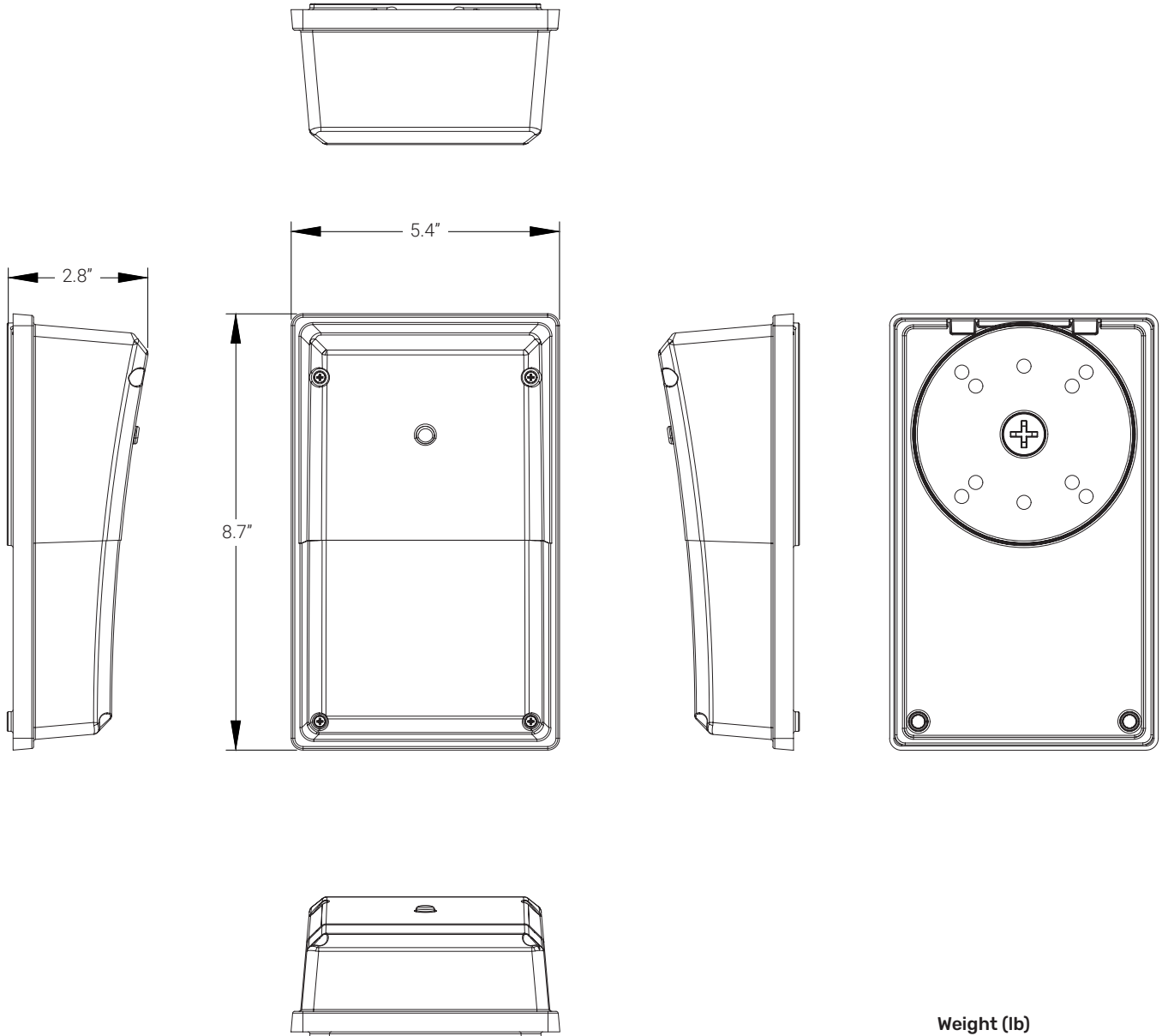
CCT



CCT	Lumen Multiplier
3000K	0.923
4000K	1.000
5000K	0.962

TECHNICAL SPECS

Dimensions



Weight (lb)

~1.5

Dimension tolerances: $\pm 0.2"$. Weights are approximate and vary depending on accessories used, if weight is a concern, please contact factory.

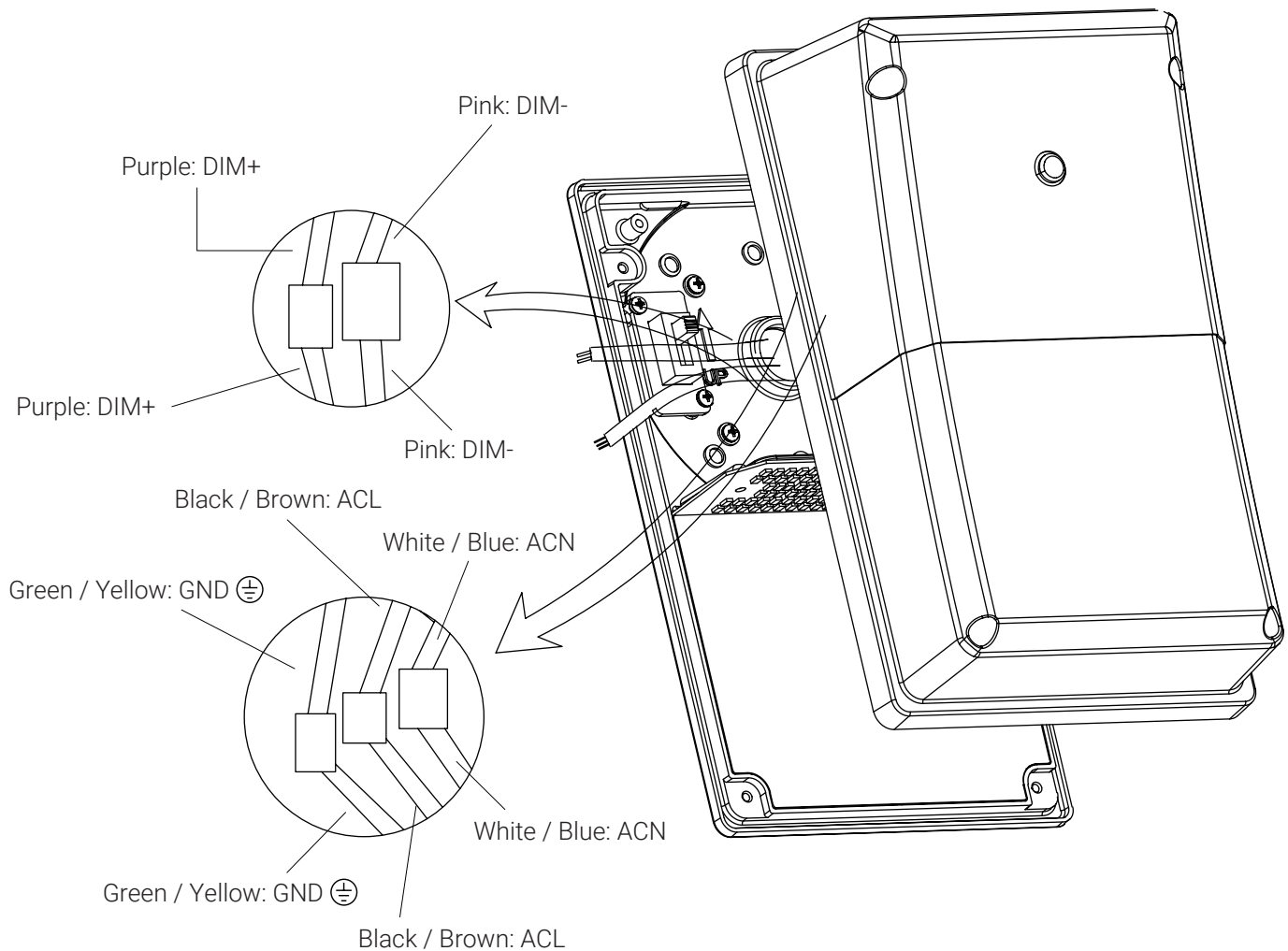
WIRING

Cautions

- Fixtures must be wired in accordance with the National Electrical Code (NEC) and all applicable local codes.
- Make sure power is off at the circuit breaker before installation or maintenance.
- Proper grounding is required to ensure safety.

Notes

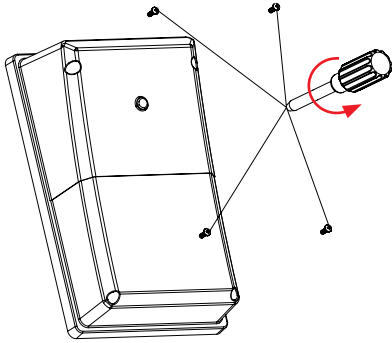
- Must use appropriate strain relief in accordance with local code when connecting power cord to junction box.



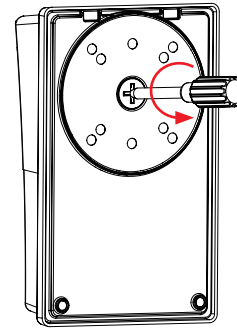
INSTALLATION GUIDE

Wall Mount Installation

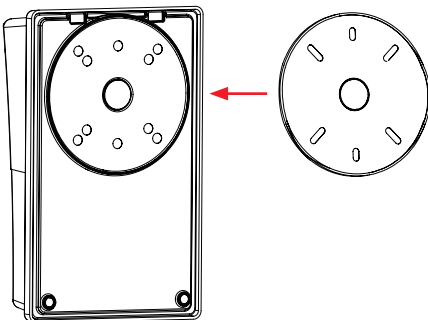
1. Loosen screws to remove the front cover of the fixture.



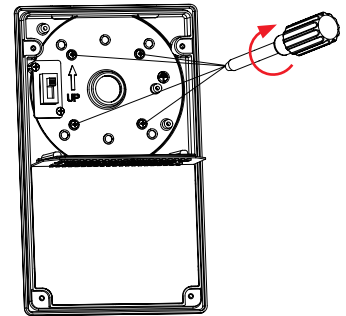
2. Remove the 1/2" end cap.



3. Attach EVA cotton pad to the back shell of the fixture.



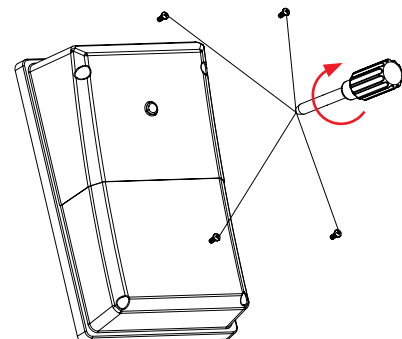
4. Drill through the mounting holes with a power drill, then insert power cord through the open knockout and lock the back shell on the wall with screws.



5. Connect wires following wiring instructions on page 4 and ensure proper protection and sealing when closing the fixture.

Black / Brown	—○—	ACL
White / Blue	—○—	ACN
Green / Yellow	—○—	GND \oplus
Purple	—○—	DIM+
Pink	—○—	DIM-

6. Close the fixture by tightening screws.

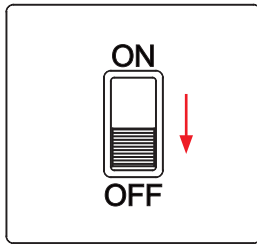


CONFIGURATION

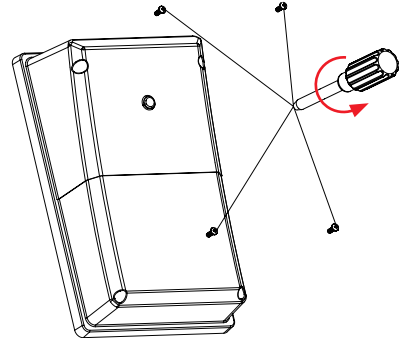
Enabling / Disabling the Photocell

By default, the fixture ships with the photocell disabled.

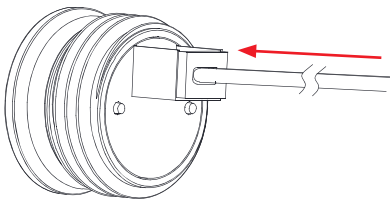
1. Turn power off.



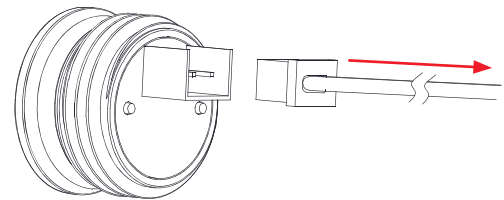
2. Loosen screws to remove the front cover of the fixture.



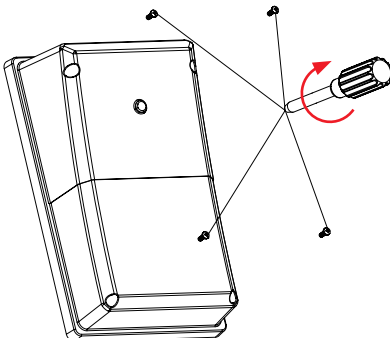
To enable the photocell, plug the connector located on the side of the fixture.



To disable the photocell, unplug the connector located on the side of the fixture.



5. Close the fixture by tightening screws.



6. Make sure the installation is complete before turning power back on.

