

PROJECT NAME		DATE	
CAT. NUMBER			
NOTES			

SPEC SHEET

Ace LED Wall Pack (AW1)

LED WALL PACK



KEY FEATURES

- 3,360 to 7,200 lumens
- 120 LPW
- 12" wall pack
- Glass lens
- Die cast aluminum housing
- Up to 45°C ambient temp.
- Dimmable 0-10V (standard)



Wet Location Rated

Perfect for outdoor areas, includes a silicone gasket to ensure dust and water do not enter the fixture.



Rapid Installation

Two-piece housing with hinged door allowing for quick installation, saving you time and money.



QuickShip

Ships within 48 hours from our warehouse in Fresno, CA after confirmed order.

TECHNICAL SPECS

HOUSING	POWER	LUMEN OUTPUT	EFFICACY	PART NUMBER
12"	28W	3,360	120	AW10S-A2-03K-12-50-80-CL-LV-FXT-10V
12"	60W	7,200	120	AW10S-A2-07K-12-50-80-CL-LV-FXT-10V

Typical lumen output ($\pm 10\%$) at 277V (LV) under 25°C ambient temperature.

LUMEN MAINTENANCE

Projected L70 > 100,000 hours.

Lumen Maintenance, also known as L70, is a lifetime measurement criteria developed by IESNA (Illuminating Engineering Society of North America) to evaluate the useful lifetime of an LED fixture in terms of the expected number of operating hours until the light output has diminished to 70% of initial levels. An LED fixture is considered to have reached its rated life when it emits 30% less light than it initially did.



ORDERING

SERIES MODEL - COMPLIANCE - LUMENS - SIZE	COLOR TEMP	CRI	LENS	VOLTAGE	MOUNTING	DIMMING
AW10S-A2-03K-12 AW10S-A2-07K-12	50 5000K	80 80+ CRI	CL Clear lens	LV 120-277V	FXT Full fixture	10V 0-10V

ORDERING EXAMPLES

Standard: AW10S-A2-07K-12-50-80-CL-LV-FXT-10V

FEATURES & SPECIFICATIONS

CONSTRUCTION

- **Housing:** Die Cast powder coated housing.
- **Gasket:** Silicone.

ELECTRICAL

- **Power Input:** 120-277V (50/60Hz).
- **Power Factor:** Greater than 0.9.

OPERATION

- **Environment:** Wet location and outdoor applications.
- **Ambient Range Operation:** -40°C up to 45°C (-40°F up to 113°F).

OPTICS

- **CCT:** 5000K.
- **CRI:** 80+ standard.
- **Lens:** Glass, clear. 70° x 110° beam angle.

MOUNTING

- **Mounting:** Fixed mounting plate.
- **Installation:** Built-in level.

CONTROLS

- **Dimming:** 0-10V standard. Dimming range 100% to 10%.



WARRANTY

- **Standard:** 5-year product warranty.

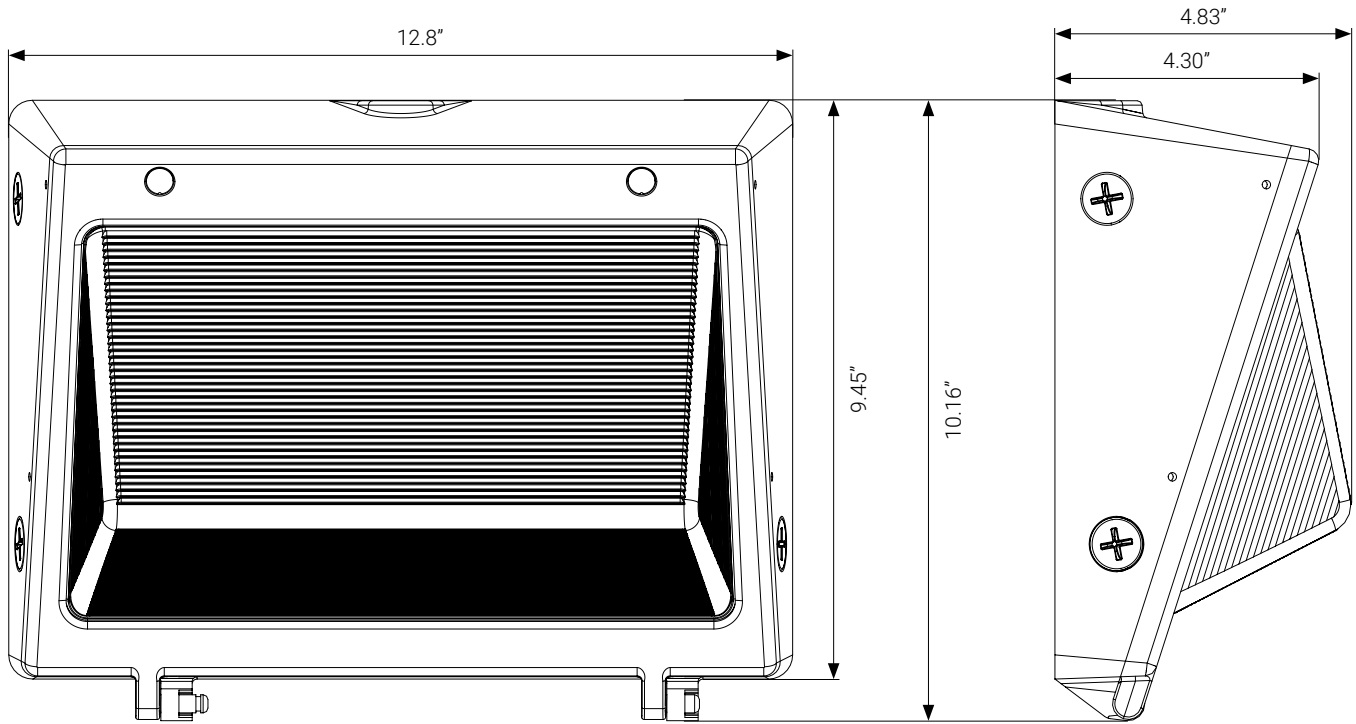
LISTINGS & CERTIFICATIONS

- Conforms to UL 1598:2021 Ed.5.
- RoHS compliant.
- DesignLights™ Consortium Premium. (Pending)



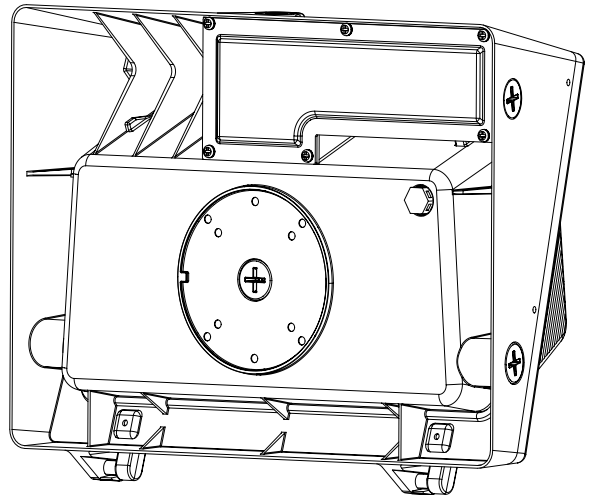
DLC PENDING

DIMENSIONS & DRAWINGS



Weight (lb)

~2.6



Linmore LED Labs, Inc.

2360 S. Orange Ave, Fresno, CA 93725

559 485 6010 | info@linmoreled.com | linmoreled.com



All specifications are subject to change without notice. Please visit linmoreled.com for latest information. All values are typical or design values and series averages. Actual performance may differ as a result of end-user environments and applications. Consult Linmore LED with specific inquiries. Copyright © 2022, Linmore LED Labs, Inc. All rights reserved. No part of this document may be reproduced in any form without the prior written permission of Linmore LED.