

PROJECT NAME		DATE	
CAT. NUMBER			
NOTES			

SPEC SHEET

Ace LED Troffer (AT2-L)

RECESSED LED TROFFER WITH LUTRON TECHNOLOGY

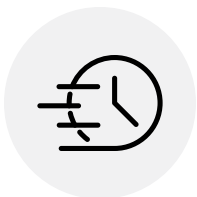


Projected L70 up to 150,000 hours



Vive Wireless Controls by Lutron

Simple, scalable, and wireless lighting controls that help make both new and existing commercial buildings efficient, comfortable and productive.



Save on time. Save on labor

Quick installation time – up to 70% faster than wired control solutions - means shorter timelines and lower cost.



Meet code. Meet your needs

Vive is easy to specify, install, and update, offering flexible, code-compliant solutions for new construction and retrofits.

KEY FEATURES

- 3,000 to 6,000 Lumens
- Up to 125 LPW
- 1x4, 2x2 and 2x4 Sizes Available
- Ultra Slim Design
- Recessed and Surface Mounting Options
- Frosted Lens
- Low Glare
- Emergency Battery Back Available

FEATURES & SPECIFICATIONS

CONSTRUCTION

- **Housing:** Galvanized sheet. Ultra slim design.
- **Housing Color:** White.

ELECTRICAL

- **Power Input:** 120-277V (50/60Hz).
- **Power Factor:** Greater than 0.9.
- **Total Harmonic Distortion:** Less than 20%.
- **Emergency Battery Backup:** 9 Watts output (~1,100 lumens) for >90 minutes. Simple wiring, metal conduit. Field installed. Available as an accessory, sold separately.

OPERATION

- **Environment:** For interior applications, dust-resistant, listed for damp locations.
- **Ambient Range Operation:** -20°C up to 35°C (-4°F up to 95°F).

OPTICS

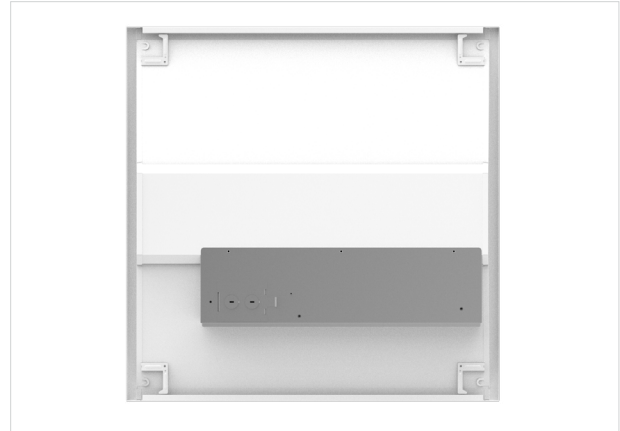
- **CCT:** 3500K and 4000K available.
- **CRI:** 80+ standard.
- **Lens:** Polycarbonate, Frosted. 120° beam angle.

MOUNTING

- **Recessed:** In T-bar grid ceiling with integral earthquake clips for secure attachment enclosure.
- **Surface Mount:** Surface mount kit available as an accessory.

CONTROLS

- **Dimming:** Soft-On, Fade-to-Black dimming technology. Dimming range 100% to 1%.
- **Occupancy Sensors:** Vive by Lutron.
- **Lighting Controls:** Vive by Lutron.



WARRANTY

- **10 Year Warranty:** The fixture is guaranteed for 5 years free of defects in materials and workmanship, including LEDs and driver. "Defective" is considered if ten percent (10%) or more of the LEDs, per product, are non-operating LEDs, or color temperature has shifted more than 500° Kelvin within the warranty period. See terms and conditions at <https://linmoreled.com/warranty>

LISTINGS & CERTIFICATIONS

- UL listed.
- RoHS compliant.
- IC rated for insulated ceilings.
- UL listed for damp locations.
- DesignLights™ Consortium Premium.

TECHNICAL SPECS

SIZE	WATTS	LUMEN OUTPUT	EFFICACY	PART NUMBER
1x4	24	3,000	125	AT20L-A1-03K-14-40-80-FR-LV-GRID-DTO
	32	4,000	125	AT20L-A1-04K-14-40-80-FR-LV-GRID-DTO
	40	5,000	125	AT20L-A1-05K-14-40-80-FR-LV-GRID-DTO
2x2	24	3,000	125	AT20L-A1-03K-22-40-80-FR-LV-GRID-DTO
	32	4,000	125	AT20L-A1-04K-22-40-80-FR-LV-GRID-DTO
	40	5,000	125	AT20L-A1-05K-22-40-80-FR-LV-GRID-DTO
2x4	24	3,000	125	AT20L-A1-03K-24-40-80-FR-LV-GRID-DTO
	32	4,000	125	AT20L-A1-04K-24-40-80-FR-LV-GRID-DTO
	40	5,000	125	AT20L-A1-05K-24-40-80-FR-LV-GRID-DTO
	48	6,000	125	AT20L-A1-06K-24-40-80-FR-LV-GRID-DTO

Typical lumen output (±10%) at 5000K CCT and 277V (LV) under 25°C ambient temperature.

ORDERING

SERIES MODEL - COMPLIANCE - WATTS - SIZE		COLOR TEMP	CRI	LENS	DRIVER
AT20L-A1-03K-14	AT20L-A1-05K-14	35 3500K	80 80+ CRI	FR Frosted lens	LV 120-277V (Lutron certified, compatible with Vive controls)
AT20L-A1-03K-22	AT20L-A1-05K-22	40 4000K			Contact factory for Lutron Hi-Lume, 1% LED driver
AT20L-A1-03K-24	AT20L-A1-05K-24				
AT20L-A1-04K-14	AT20L-A1-06K-24				
AT20L-A1-04K-22					
AT20L-A1-04K-24					

MOUNTING	CONTROLS	DIMMING
GRID Standard mounting for grid ceilings Safety Cable mounting optional, see Accessories	VDO Vive integral fixture controller with sensor	DTO Dim-to-Off

Ordering Example: AT20L-A1-04K-22-40-80-FR-LV-GRID-VDO-DTO

ACCESSORIES

Must be ordered separately. Packaged separately.

FIXTURE ACCESSORIES

Part Number	Type	Description
SAFETYCABLE	Safety Kit	Kit includes (1) 10 ft. aircraft cable with single snap hook, L-bracket, screw and nut.
CABLEKIT	Cable Kit	Kit includes (2) 10 ft. aircraft "Y" cables and (2) snap hooks.
AT2-SMK14	Surface Mount Kit 1x4	Surface Mount Kit 1x4.
AT2-SMK22	Surface Mount Kit 2x2	Surface Mount Kit 2x2.
AT2-SMK24	Surface Mount Kit 2x4	Surface Mount Kit 2x4.
AT2-DWK14	Drywall Kit 1x4	Drywall Kit 1x4.
AT2-DWK22	Drywall Kit 2x2	Drywall Kit 2x2.
AT2-DWK24	Drywall Kit 2x4	Drywall Kit 2x4.
AT2-EMB-09W	Battery Backup	Emergency Backup Driver with Battery, 9 Watts output for >90 minutes. Simple Wiring, Metal Conduit. Field installed.

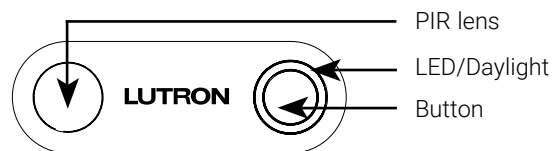
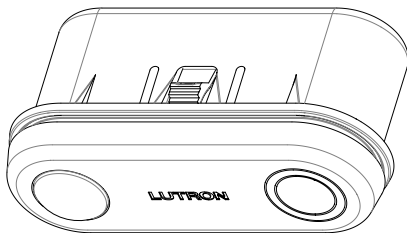
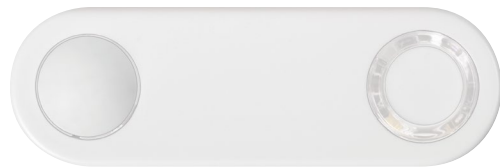
LIGHTING CONTROLS

Vive Integral Fixture Controller with Sensor (VDO)

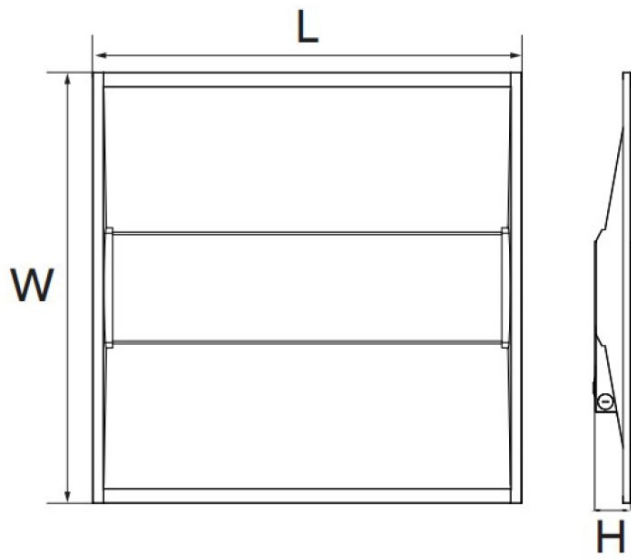
The fixture controller with occupancy/daylight sensor and RF-only fixture controller mount directly to a fixture.

The sensor measures light in the space (daylighting) while detecting people moving within an area to determine passive infrared occupancy.

The sensor controls the lights to balance light level in the space, combining convenience, exceptional energy savings, and ease of installation.

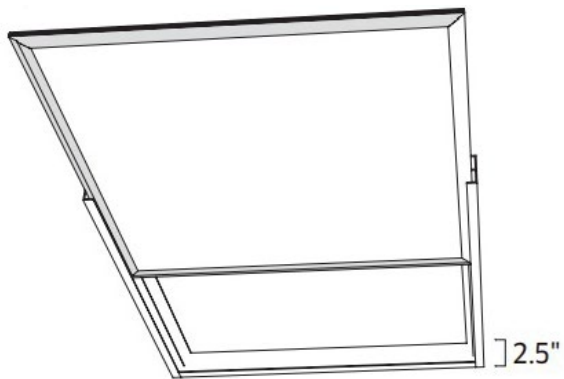


DIMENSIONS & DRAWINGS

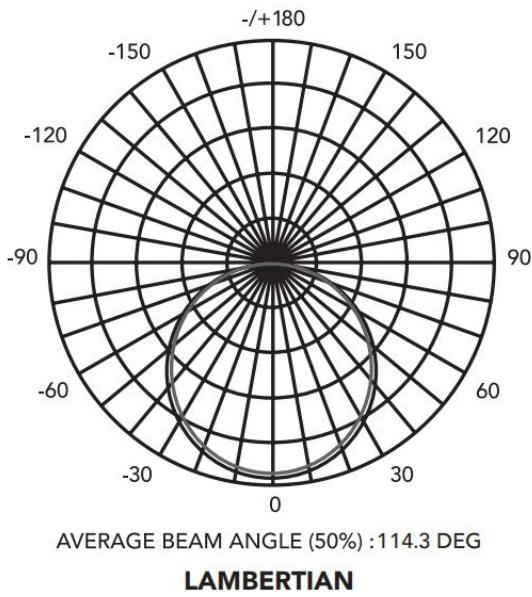


Size	L	W	H	Weight
1x4	47.76"	11.93"	1.97"	~6.3 lbs
2x2	23.74"	23.74"	1.97"	~5.3 lbs
2x4	47.76"	23.74"	1.97"	~8.8 lbs

Surface Mount Kit



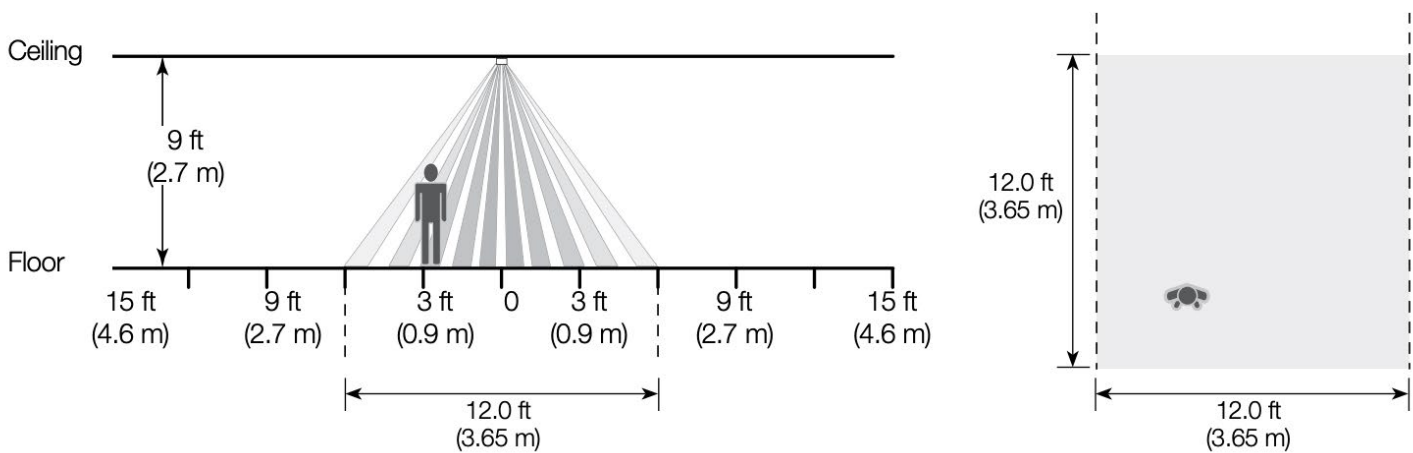
PHOTOMETRY



SENSOR COVERAGE

XCT Sensing Technology

XCT Sensing uses sophisticated signal processing to maximizing the performance of our sensors, guaranteeing the most accurate sensing technology. Vive Wireless Hub must be within 71 ft (22 m (through construction)) from all connected wireless devices.



Linmore LED Labs, Inc.

2360 S Orange Ave, Fresno, CA 93725

559 485 6010 | info@linmoreled.com | linmoreled.com



All specifications are subject to change without notice. Please visit linmoreled.com for latest information. All values are typical or design values and series averages. Actual performance may differ as a result of end-user environments and applications. Consult Linmore LED with specific inquiries. Copyright © 2026, Linmore LED Labs, Inc. All rights reserved. No part of this document may be reproduced in any form without the prior written permission of Linmore LED.