

## ACE High Bay (AHB)

The Ace LED High Bay (AHB) is a feature rich, high value option for your high bay needs. Staying true to smart engineering priorities, the AHB is comprised of extruded aluminum bars for LED thermal dissipation.

The driver is manufactured by Linmore LED Labs, a proven manufacturer of power supplies.

This DLC Premium High Bay is everything you need, and nothing that you don't. When the objective is to find a quality high bay that meets your budget, let our AHB be the Ace up your sleeve.



### Highlights

- Efficacy up to >130 Lumens/Watt Delivered
- 1-10 Volt Dimming, External Driver
- Aluminum Heat Sink/Extrusion
- Frosted Lens
- 120 Degree Light Distribution
- 5 Year Warranty Complete System
- Rapid Installation
- Impact Resistant

### Easy Installation

- 1: Cable suspension system provides quick installation.



### Quick Ship Options Available

Contact your sales representative for more information.

# ACE High Bay (AHB)

## ▼ Efficacy

- Only high quality LEDs used to ensure maximum light output and longevity

## ▼ Thermal Dissipation

- Each light bar is made with an aluminum extrusion to aid in heat dissipation
- Light bars are powder coated for a clean look and finish
- Interior PCB board is made of aluminum core to assist with the thermal transfer

## ▼ Lens

- Frosted lens is made with a high transmissive plastic to maximize lumen output from the LED
- Glass Free

## ▼ Specifications

Suitability	Dry or Damp Locations
Warranty	5 Years
Expected Life	>100,000 L70
Driver	Dimmable 1-10V, compatible with most wireless controls"
System Wattages	88W, 125W, 160W
Efficacy	>143 lm/w
Voltage	100-277V AC 347/480V Optional
Beam Angle	120°
Lens Options	Frosted
Color Rendering Index (CRI)	>80
Color Temperature	3500K, 4100K OR 5000K
Bar Extrusions	Aluminum
Operating Temperature	-40F -130F
Power Factor	0.99
Total Harmonic Distortion (THD)	<10% (277V)
Certifications	DLC Premium*, UL, Lighting Facts, RoHS

\*Refer to the DLC QPL for current listings

## ▼ Ordering Information

Model	Kelvin	No of Bars	Wattage	Options	
AL-AHB-	3500K (35K)	3	88	Sensor	Sensor
	4000K (41K)	3	125	HV	340/480V Transformer
	5000K (50K)	3	160		

## ▼ Lumen Output

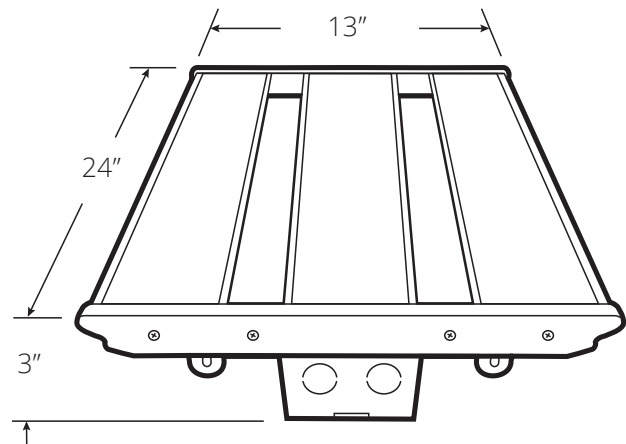
Wattage	Lumen
88	12,556
125	17,712
160	22,498

## Example

AL-AHB-50K-3-88-SEN

## ▼ Quick Ship Options Available

Contact your sales representative for more information.



weight 8 lbs.

Specifications are Subject to Change.