

PROJECT NAME		DATE	
CAT. NUMBER			
NOTES			

SPEC SHEET

# Ace LED High Bay (AH1)

CONTRACTOR VALUE LED HIGH BAY



IP20



IK06



6kV

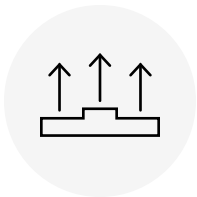


0-10V

Projected L70 up to 150,000 hours

## KEY FEATURES

- 12,000 to 71,000 Lumens
- Up to 150 LPW
- Up to 50°C (122°F) Ambient
- Unique Aluminum Die-cast Housing
- Aluminum Heatsink
- Frosted Lens
- Flicker-free
- Emergency Battery Backup Available



### Superior Heat Dissipation

Die-cast aluminum housing and heat sink improve thermal transfer, keeping LEDs cool to increase performance and life.



### Modern Aesthetics

Clean, modern, minimalistic design that creates an all new look for high bay lighting and transforms a work place.



### EZ-Connect™ Receptacle

The simplest and fastest way to add sensors and UltraLink wireless controls at any time in the field. 3-pin Screw-in system, no tools or wiring needed.

# FEATURES & SPECIFICATIONS

## CONSTRUCTION

- **Housing:** Aluminum die-cast.
- **Wireway Cover:** Steel.
- **Heat Sink:** Cast aluminum.
- **Wire Guards:** Field installed wire guards available, upgrades to IK07.
- **3-Pin Receptacle:** 3-pin Screw-in system allows to add sensors and wireless controls, no tools or wiring needed. This receptacle is standard in all fixtures, except the 60K and 71K models.
- **EZ-Connect™ Receptacle:** The simplest and fastest way to add sensors and wireless controls at any time on the field. Twist Lock system, no tools or wiring needed. Standard in 60K and 71K models.

## ELECTRICAL

- **Power Input:** 120-277V (50/60Hz) standard, 277-480V (50/60Hz) available as a special order with extended lead time.
- **Power Factor:** Greater than 0.9.
- **Total Harmonic Distortion:** Less than 20%.
- **Flicker:** Less than 0.3% (flicker-free).
- **Surge Protection:** 6kV.
- **Emergency Battery Backup<sup>5</sup>:** EMB has 20 watts output, producing ~2,400 lumens for 90 minutes. EMB2 has 40 watts output, producing ~4,800 lumens for 90 minutes (available for LV only). EMBs can be ordered as an option (factory installed) or as an accessory (field installed).

## OPERATION

- **Environment:** Dry/Damp, for interior applications (IP20).
- **Ambient Range Operation:** -30°C up to 50°C (-22°F up to 122°F).

## OPTICS

- **CCT:** 5000K standard, 3500K and 4000K available as a special order with extended lead time.
- **CRI:** 80+ standard.
- **Lens:** Polycarbonate, Frosted.



## MOUNTING

- **Suspension Mounting:** Fixture is cable ready (CRM). Includes (2) 3 ft. chains and V-clips (standard). Other suspension mounting options available (see accessories).
- **Pendant Mounting (Stem):** 3/4" conduit stem mounting requires purchase of stem mounting bracket (see accessories).
- **Surface Mounting:** Requires purchase of surface mounting bracket (see accessories).

## CONTROLS<sup>2,4</sup>

- **Dimming:** 0-10V standard. Dimming range 100% to Off.
- **Occupancy Sensors:** PIR occupancy sensor, On/Off/Dim. EZ-Connect™ 3-pin Screw-in system for field installation.
- **Networked Lighting Controls:** UltraLink Wireless Controls with Bluetooth® NLC Mesh technology. EZ-Connect™ 3-pin Screw-in system for field installation.

## WARRANTY

- **5 Year Warranty:** The fixture is guaranteed for 5 years free of defects in materials and workmanship, including LEDs and driver. "Defective" is considered if ten percent (10%) or more of the LEDs, per product, are non-operating LEDs, or color temperature has shifted more than 500° Kelvin within the warranty period. See terms and conditions at <https://linmoreled.com/warranty>

## LISTINGS & CERTIFICATIONS

- cUL.
- UL 1598.
- RoHS compliant.
- DesignLights™ Consortium Premium.

# TECHNICAL SPECS

NOMINAL LUMENS	FRAME SIZE	WATTS	LUMEN OUTPUT	EFFICACY	PART NUMBER
12K	SM	85	12,150	143	AH10S-A2-12K-SM-50-80-FR-LV-CRM-10CW-S-10V
15K	SM	110	15,600	142	AH10S-A2-15K-SM-50-80-FR-LV-CRM-10CW-S-10V
18K	SM	130	18,460	142	AH10S-A2-18K-SM-50-80-FR-LV-CRM-10CW-S-10V
24K	MD	165	24,255	147	AH10S-A2-24K-MD-50-80-FR-LV-CRM-10CW-S-10V
30K	MD	220	30,800	140	AH10S-A2-30K-MD-50-80-FR-LV-CRM-10CW-S-10V
36K	LG	240	36,000	150	AH10S-A2-36K-LG-50-80-FR-LV-CRM-10CW-S-10V
40K	LG	295	40,710	138	AH10S-A2-40K-LG-50-80-FR-LV-CRM-10CW-S-10V
48K	LG	320	48,000	150	AH10S-A2-48K-LG-50-80-FR-LV-CRM-10CW-S-10V
60K	XL	420	60,060	143	AH10S-A2-60K-XL-50-80-FR-LV-CRM-EZ10-10V
71K	XL	500	71,000	142	AH10S-A2-71K-XL-50-80-FR-LV-CRM-EZ10-10V

Typical lumen output (±10%) at 277V (LV), 5000K CCT and 25°C ambient temperature.

# ORDERING

SERIES MODEL - COMPLIANCE - LUMENS - SIZE		COLOR TEMP	CRI	LENS	VOLTAGE
AH10S-A2-12K-SM	AH10S-A2-36K-LG	35 <sup>±3</sup> 3500K	80 80+ CRI	FR Frosted lens	LV 120-277V
AH10S-A2-15K-SM	AH10S-A2-40K-LG	40 <sup>±1</sup> 4000K			HV <sup>1</sup> 277-480V
AH10S-A2-18K-SM	AH10S-A2-48K-LG	50 5000K			
AH10S-A2-24K-MD	AH10S-A2-60K-XL				
AH10S-A2-30K-MD	AH10S-A2-71K-XL				

MOUNTING	CORD	SENSORS <sup>2,4</sup>	OPTIONS	DIMMING
<b>CRM</b> Cable-ready (standard)  Includes chain and V-clips for suspended mounting  Other mounting options available, see Accessories	<b>10CW</b> 10ft. White Cord, 10A, no plug (standard, except for 60K and 71K models)  <b>15CW</b> 15ft. White Cord, 10A, no plug  <b>20CW</b> 20ft. White Cord, 10A, no plug  <b>WINSTA</b> 12" 18/3 cord whip with WINSTA MIDI 770-104 female connector. For fixtures with corresponding WINSTA male connectors	<b>S</b> Receptacle for Controls with Screw-in system (standard for all fixtures, except 60K and 71K models)  <b>EZ10</b> EZ-Connect™ Receptacle for Controls with Twist Lock system (standard for 60K and 71K models only)  Sensors not included, see Controls pages for available products.  Note: When adding sensors, ULTRA is not required. Please leave it blank when building the part number.	<b>EMB<sup>5</sup></b> Emergency Battery Backup (20W for LV, 40W for HV), factory installed  <b>EMB2<sup>5</sup></b> Emergency Battery Backup (40W), factory installed. Only available for LV fixtures.  <b>ULTRA</b> UltraLink Bluetooth NLC Wireless Fixture Controller, Fixture Integrated, Factory Installed, 12V DC Input, Silvaire Firmware, includes Aerial Antenna.  When ULTRA is selected, the Receptacle for Plug & Play controls will be factory-disabled.	<b>10V</b> 0-10V

Ordering Example: AH10S-A2-15K-SM-ADJ-80-FR-LV-CRM-10CW-S-10V

# ACCESSORIES

Must be ordered separately. Packaged separately.





## FIXTURE ACCESSORIES

Part Number	Type	Description
<b>CABLEKIT2P</b>	Suspension Mounting	Gripple Cable Kit. Includes (two) 10ft. aircraft straight cables and snap hooks (one pair).
<b>CABLEKIT15</b>	Suspension Mounting	Gripple Cable Kit. Includes (two) 15 ft. aircraft "Y" cables and snap hooks (one pair).
<b>CABLEKIT20</b>	Suspension Mounting	Gripple Cable Kit. Includes (two) 20 ft. aircraft "Y" cables and snap hooks (one pair).
<b>AH1-STEM-SM/MD</b>	Mounting Bracket	Pendant Mounting Bracket for existing 3/4" Conduit. For SM and MD fixtures.
<b>AH1-STEM-LG/XL</b>	Mounting Bracket	Pendant Mounting Bracket for existing 3/4" Conduit. For LG and XL fixtures.
<b>AH1-SURF-SM/MD</b>	Mounting Bracket	Surface Mounting Bracket for SM and MD fixtures.
<b>AH1-SURF-LG/XL</b>	Mounting Bracket	Surface Mounting Bracket for LG and XL fixtures.
<b>AH1-WG-SM</b>	Wire Guard	Wire Guard for SM fixtures. Compatible with occupancy sensor. Field installed.
<b>AH1-WG-MD</b>	Wire Guard	Wire Guard for MD fixtures. Compatible with occupancy sensor. Field installed.
<b>AH1-WG-LG</b>	Wire Guard	Wire Guard for LG fixtures. Compatible with occupancy sensor. Field installed.
<b>AH1-WG-XL</b>	Wire Guard	Wire Guard for XL fixtures. Compatible with occupancy sensor. Field installed.
<b>AH1-EMB-20W-LV</b>	Emergency Backup Driver	Emergency Battery Backup, 20W, ~2,400 lumens for 90 minutes, for Low Voltage fixtures. Field installed. Ships in a separate box.
<b>AH1-EMB-40W-LV-SM</b>	Emergency Backup Driver	Emergency Battery Backup, 40W, ~4,800 lumens for 90 minutes, for SM Low Voltage fixtures. Field installed. Ships in a separate box.
<b>AH1-EMB-40W-LV-MD</b>	Emergency Backup Driver	Emergency Battery Backup, 40W, ~4,800 lumens for 90 minutes, for MD Low Voltage fixtures. Field installed. Ships in a separate box.
<b>AH1-EMB-40W-LV-LG</b>	Emergency Backup Driver	Emergency Battery Backup, 40W, ~4,800 lumens for 90 minutes, for LG Low Voltage fixtures. Field installed. Ships in a separate box.
<b>AH1-EMB-40W-LV-XL</b>	Emergency Backup Driver	Emergency Battery Backup, 40W, ~4,800 lumens for 90 minutes, for XL Low Voltage fixtures. Field installed. Ships in a separate box.
<b>AH1-EMB-20W-HV-SM</b>	Emergency Backup Driver	Emergency Battery Backup, 20W, ~2,400 lumens for 90 minutes, for 12K and 15K High Voltage fixtures. Field installed. Ships in a separate box.
<b>AH1-EMB-40W-HV-SM</b>	Emergency Backup Driver	Emergency Battery Backup, 40W, ~4,800 lumens for 90 minutes, for 18K High Voltage fixtures. Field installed. Ships in a separate box.
<b>AH1-EMB-40W-HV-MD</b>	Emergency Backup Driver	Emergency Battery Backup, 40W, ~4,800 lumens for 90 minutes, for 24K and 30K High Voltage fixtures. Field installed. Ships in a separate box.
<b>AH1-EMB-40W-HV-LG</b>	Emergency Backup Driver	Emergency Battery Backup, 40W, ~4,800 lumens for 90 minutes, for 36K, 40K and 48K High Voltage fixtures. Field installed. Ships in a separate box.
<b>AH1-EMB-40W-HV-XL</b>	Emergency Backup Driver	Emergency Battery Backup, 40W, ~4,800 lumens for 90 minutes, for 60K and 71K High Voltage fixtures. Field installed. Ships in a separate box.

# BASIC CONTROLS

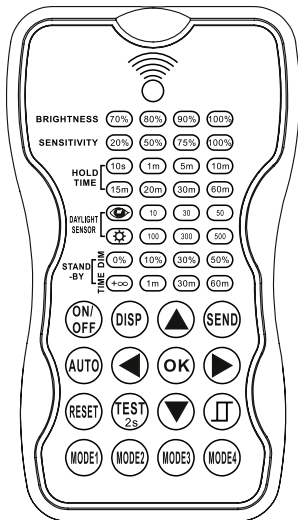
Controls are field installed, must be ordered as a new line item and will ship in a separate box.

## BASIC SENSORS<sup>2,4</sup>

Part Number	Description
 <b>AH1-SEN-PIR-SK</b>	PIR Occupancy and Daylight Sensor, 3-pin Screw-in System, Plug & Play, On/Off/Dim, 40' Max Mounting Height. Field installed.
 <b>PIR-WH-EZ10</b>	PIR Occupancy and Daylight Sensor, White Color, EZ-Connect Twist Lock System, Plug & Play, On/Off/Dim, 40' Max Mounting Height, IP65. Field installed.
 <b>MW-WH-EZ10</b>	Microwave Occupancy and Daylight Sensor, White Color, EZ-Connect Twist Lock System, Plug & Play, On/Off/Dim, 40' Max Mounting Height, IP65. Field installed.
 <b>SEN-PROG</b>	Infrared Remote Programmer for Occupancy Sensors. Required to change default settings, modes of operation, and detection sensitivity for all EZ10 basic sensors.


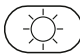
### DEFAULT SETTINGS

For PIR and MW Sensors: Sensitivity=100%, Hold time=5min, Daylight sensor=disabled, Stand-by dim level=30%, Stand-by time=60min.



### INFRARED REMOTE PROGRAMMER

Required to change default settings, modes of operation, and sensitivity.

<b>Brightness</b>	Light output during occupancy (70%, 80%, 90%, 100%).		<b>Daylight harvesting function.</b> Selects the current surrounding lux value as the daylight threshold.
<b>Sensitivity</b>	Detection area of the sensor (20%, 50%, 75%, 100%).		<b>Daylight sensor disabled.</b> All motion detected turns on the light, no matter how bright the natural light is.
<b>Hold Time</b>	Time the sensor waits to turn off or dim the light after the area is vacated.	<b>Stand-by Dim</b>	Light output during vacancy (0%, 10%, 30%, 50%).
<b>Daylight Sensor</b>	Daylight sensor status and daylight threshold values in lux.	<b>Stand-by Time</b>	Time the sensor keeps the light at stand-by dim level after the hold time has elapsed.

### Scene Modes

The remote comes with four preprogrammed modes. These can be used as is, or adjusted with different parameters and saved over an existing mode.







Scene	Application	Brightness	Sensitivity	Hold Time	Stand-by Dim	Stand-by Time	Daylight Sensor
<b>MODE 1</b>	Indoor	100%	75%	5min	30%	30min	Disabled
<b>MODE 2</b>	Indoor	100%	75%	1min	30%	+∞	Disabled
<b>MODE 3</b>	Indoor	100%	75%	5min	30%	30min	30lux
<b>MODE 4</b>	Outdoor	100%	75%	1min	30%	+∞	30lux/300lux

# ULTRALINK BLUETOOTH CONTROLS









Controls are field installed, must be ordered as a new line item and will ship in a separate box.

## ULTRALINK CONTROLLERS / SENSORS<sup>2,4</sup>

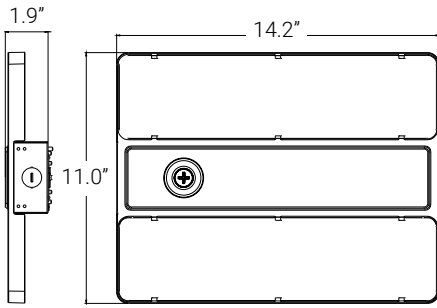
Part Number	Description
 <b>ULTRAPIR40-AH1</b>	UltraLink Bluetooth NLC Wireless Fixture Controller with PIR Occupancy and Daylight Sensor, 3-pin Screw-in System, 20' to 40' Mounting Height, IP65, Silvair Firmware. Field installed.
 <b>ULTRA-WH-EZ10</b>	UltraLink Bluetooth NLC Wireless Receiver and Fixture Controller, White Color, EZ-Connect Twist Lock System, IP65, Silvair Firmware. Field installed.
 <b>ULTRAHGA-CL-EZ10</b>	UltraLink Bluetooth NLC Wireless Receiver and Fixture Controller with Long Range Antenna, Clear Color, EZ-Connect Twist Lock System, IP65, Silvair Firmware. Field installed.
 <b>ULTRAPIR-WH-EZ10</b>	UltraLink Bluetooth NLC Wireless Fixture Controller with PIR Occupancy and Daylight Sensor, White Color, EZ-Connect Twist Lock System, 40' Max Mounting Height, IP65, Silvair Firmware. Field installed.
 <b>ULTRAMW-WH-EZ10</b>	UltraLink Bluetooth NLC Wireless Fixture Controller with Microwave Occupancy and Daylight Sensor, White Color, EZ-Connect Twist Lock System, 40' Max Mounting Height, IP65, Silvair Firmware. Field installed.
 <b>SEN-PROG</b>	Infrared Remote Programmer for Occupancy Sensors. Only required for EZ10 UltraLink sensors to change detection sensitivity.

## ULTRALINK ACCESSORIES

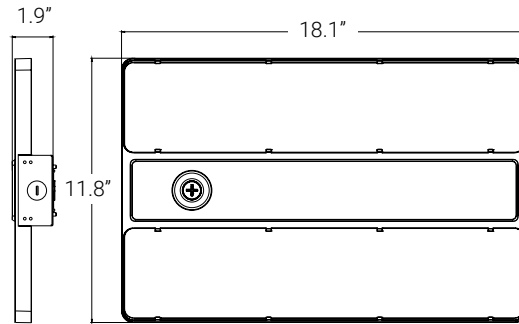
Part Number	Description
 <b>ULTRAGATEWAY</b>	UltraLink Bluetooth NLC Wireless Gateway, required for Advanced Features and Time-Based Events. One gateway can control up to 200 fixtures, allowing for energy monitoring, people tracking, and scheduling. Interior installation only.
 <b>ULTRAGATEWAY-4G</b>	UltraLink Bluetooth NLC Wireless Gateway, RJ45 Ethernet Connector and SIM Card Slot for 4G Cellular Connectivity, PoE or 120V AC Power Adapter, Long Range Bluetooth Mesh, Hardware Security Module, Encrypted File System, Secure Boot, Interior installation only.
 <b>ULTRAGATEWAY-EXT</b>	UltraLink Bluetooth NLC Wireless Exterior Rated Gateway Box with Long Range Antenna, includes ULTRAGATEWAY. 120-277V Power Supply required.
 <b>ULTRAGATEWAY-EXT-4G</b>	UltraLink Bluetooth NLC Wireless Exterior Rated Gateway Box with Long Range Antenna and 4G Cellular Connectivity. Includes ULTRAGATEWAY-4G in a Vented, Temperature-Controlled NEMA Enclosure, Universal Voltage (120, 208, 240, 277, and 480V), Wall Mount, 24 Hour Battery Backup. Optional pole mount kit. Cellular data plans available.
 <b>ULTRATIME-BAT</b>	UltraLink Bluetooth NLC Time-Keeping Battery Backup includes an Outdoor Rated Enclosure, a Long Range Antenna and a Backup Battery. For use to keep time during a power outage and for in-node scheduling.
 <b>ULTRADASH</b>	UltraLink Dashboards for Energy, Occupancy Heat Mapping, and Energy Heat Mapping. Gateway (ULTRAGATEWAY) required, sold separately.

# DIMENSIONS & DRAWINGS

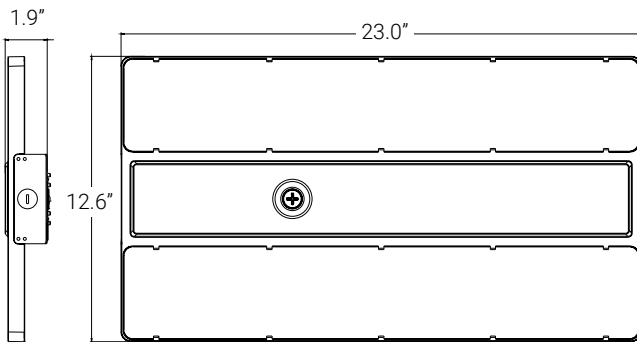
## SM



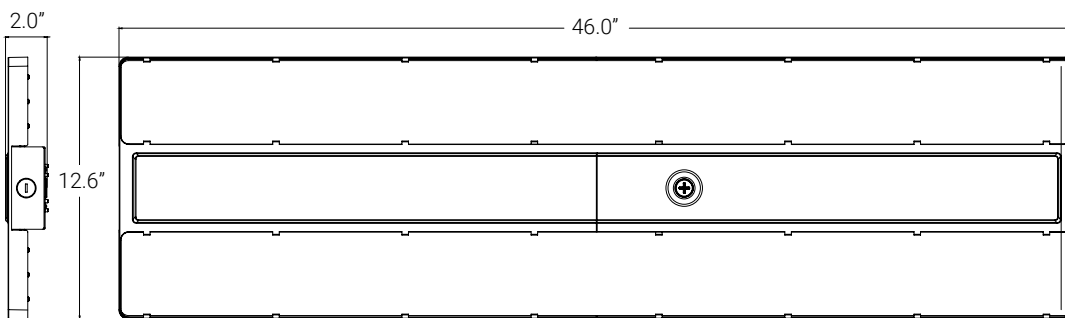
## MD



## LG



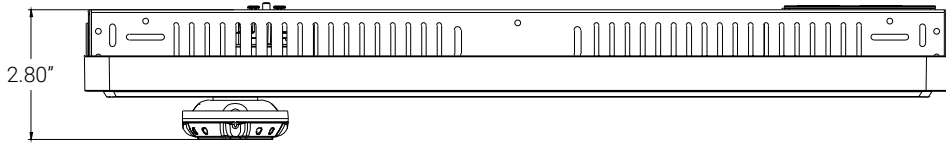
## XL



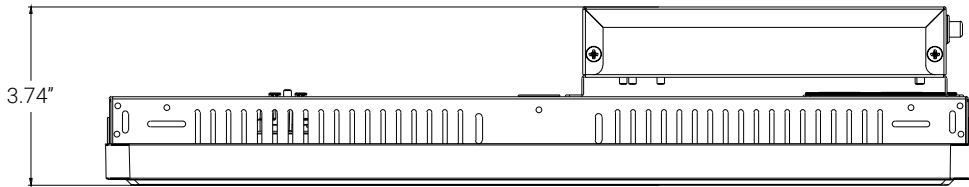
Size	Length	Width	Height	Weight
SM	14.2"	11.0"	1.9"	~4lbs
MD	18.1"	11.8"	1.9"	~6lbs
LG	23.0"	12.6"	1.9"	~8lbs
XL	46.0"	12.6"	2.0"	~16lbs

Dimension tolerances:  $\pm 0.1"$ . Mounting hardware and sensors add height and weight to the fixture. Weights are approximate and vary by model, if weight is a concern, please contact factory.

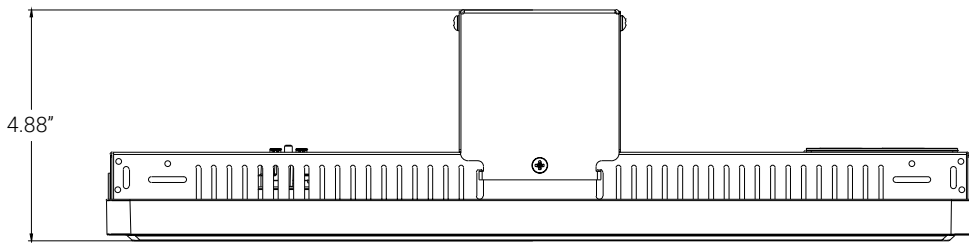
**Fixture with PIR Sensor (AH1-SEN-PIR)**



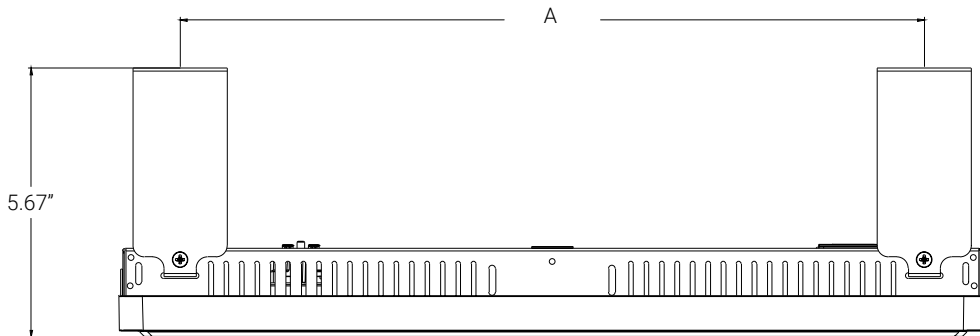
**Fixture with Emergency Battery Backup**



**Fixture with Stem Mounting Bracket**

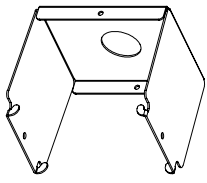


**Fixture with Surface Mounting Bracket**

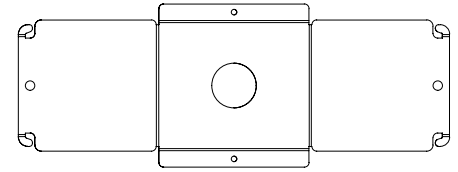
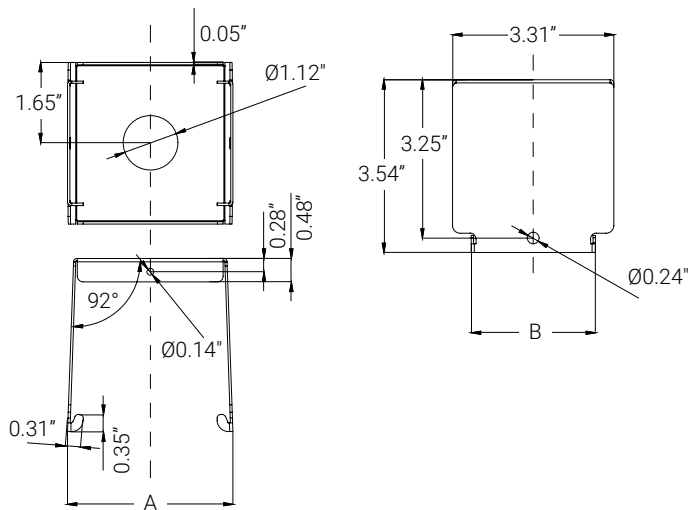


Size	A
SM	11.65"
MD	15.55"
LG	20.39"
XL	39.37"

## Stem Mounting Bracket

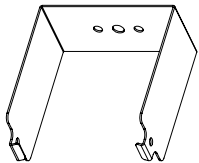


AH1-STEM-SM/MD  
AH1-STEM-LG/XL

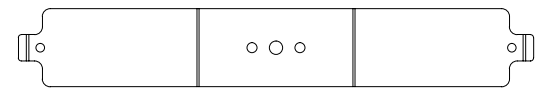
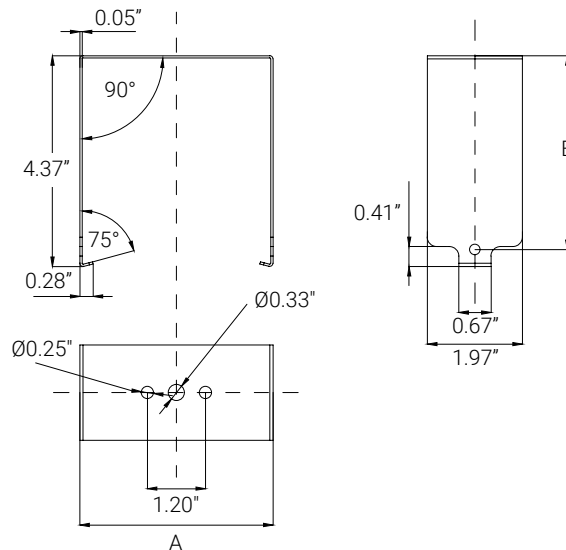


Size	A	B
SM/MD	3.40"	2.55"
LG/XL	4.17"	2.59"

## Surface Mounting Bracket



AH1-SURF-SM/MD  
AH1-SURF-LG/XL



Size	A	B
SM/MD	3.22"	3.97"
LG/XL	4.00"	4.01"

## FOOTNOTES

1. Extended lead time. Contact factory.
2. The fixture can not be connected to an additional dimming device when equipped with a PIR occupancy sensor.
3. 3500K CCT models are not DLC listed.
4. The performance of sensors and lenses is influenced by various factors beyond Linmore LED's control, including but not limited to environmental conditions, user settings, and proper maintenance. While we provide detailed specifications and guidelines to help optimize performance, we cannot guarantee or be held liable for the performance of sensors or lenses under any particular circumstance(s). Customers are advised to test the products in their specific application environments to ensure suitability for their intended use and are responsible for all sensor and lens selections.
5. EMB and EMB2 are not compatible with Stem Mounting Bracket on SM or MD fixtures.

## Linmore LED Labs, Inc.

2360 S Orange Ave, Fresno, CA 93725

559 485 6010 | [info@linmoreled.com](mailto:info@linmoreled.com) | [linmoreled.com](http://linmoreled.com)



All specifications are subject to change without notice. Please visit [linmoreled.com](http://linmoreled.com) for latest information. All values are typical or design values and series averages. Actual performance may differ as a result of end-user environments and applications. Consult Linmore LED with specific inquiries. Copyright © 2025, Linmore LED Labs, Inc. All rights reserved. No part of this document may be reproduced in any form without the prior written permission of Linmore LED.