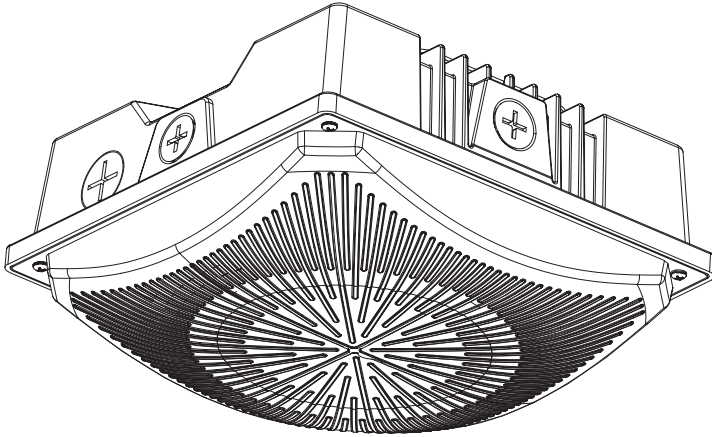


## INSTALLATION INSTRUCTIONS

### ACE LED CANOPY (AC2)



Fixtures must be installed and wired in accordance with the National Electrical Code (NEC) and all applicable local codes by a person familiar with the construction and operation of the product and hazards involved.

Proper grounding is required for safety.

Check that voltage is compatible with fixture driver, use approved connectors for all electrical connections.

Be cautious of any sharp edges. Wear proper PPE (personal protected equipment) while handling.

Fixture not suitable for use in corrosive environments, and with thermal insulation.

Must use appropriate strain relief in accordance with local code when connecting power cord to junction box.

**READ CAREFULLY BEFORE INSTALLING THE FIXTURE.**

**PLEASE KEEP THIS MANUAL FOR FUTURE USE.**



#### **WARNING**

**Risk of Fire or Electric Shock**

Risk of fire or electric shock. Make sure power is off at the circuit breaker before installing or maintaining the product.

To prevent wiring damage or abrasion, do not expose wiring to edges of sheet metal or other sharp objects.

Installation guide requires knowledge of luminaire electrical systems. If not qualified, do not attempt installation. Contact a qualified electrician.

Never perform maintenance or cleaning while fixture is energized. Disconnect power and allow fixture to cool off before maintaining.



#### **MAINTENANCE CAUTION**

Review the diagrams before beginning and make sure the fixture is grounded properly.

For lighting controls, use driver wiring diagram.

Maintenance must be done by qualified electricians.

Use a clean, dry cloth to clean the fixture.

**For any questions regarding wiring, installation, or use of this fixture, please call 559-485-6010 or email [techsupport@linmoreled.com](mailto:techsupport@linmoreled.com)**

# TECHNICAL SPECS

Part No.	Watts (ADJ)	CCT (ADJ)	CRI	Input Voltage	PF	Dimmable	Warranty
AC20S-A2-ADJ-MD-ADJ-80-CL-LV-FXT-S-10V	20 / 30 / 40	3000K 4000K 5000K	≥80	AC 120-277V	≥0.9	0-10V	5 Years

Ambient range operation: -40°C up to 50°C (-40°F up to 122°F).

## Adjusting Wattage and Color Temperature

Fixtures ship from the factory with the highest wattage and 5000K CCT, to change these settings:

1. Turn off the fixture.
2. Open the clear caps on the side of the fixture with a screwdriver.
3. Adjust the corresponding dip switches to desired wattage and CCT.
4. Close the fixture and close the caps tight with a screwdriver.

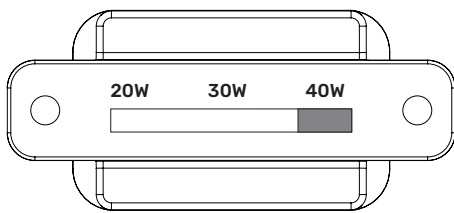
Note: The ON/OFF switch is to enable or disable the photocell.

Watts	Lumen Output
20	2,700
30	4,050
40 (default)	5,400

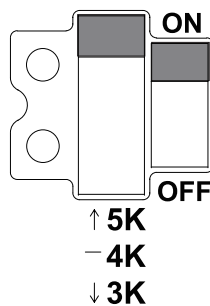
Typical lumen output (±10%) at 4000K CCT and 277V (LV) under 25°C ambient temperature.

CCT	Lumen Multiplier
3000K	0.926
4000K	1.000
5000K	0.963

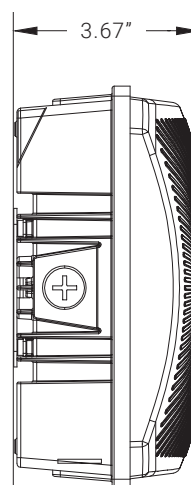
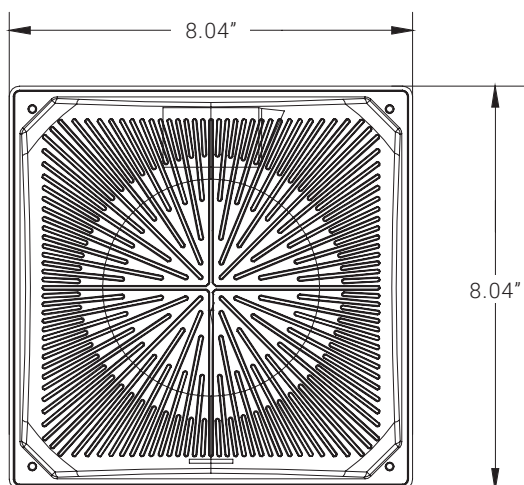
### Wattage / Lumen Output



### CCT



## Dimensions



### Weight (lb)

~3.90

Dimension tolerances: ± 0.2". Weights are approximate and vary depending on accessories used, if weight is a concern, please contact factory.

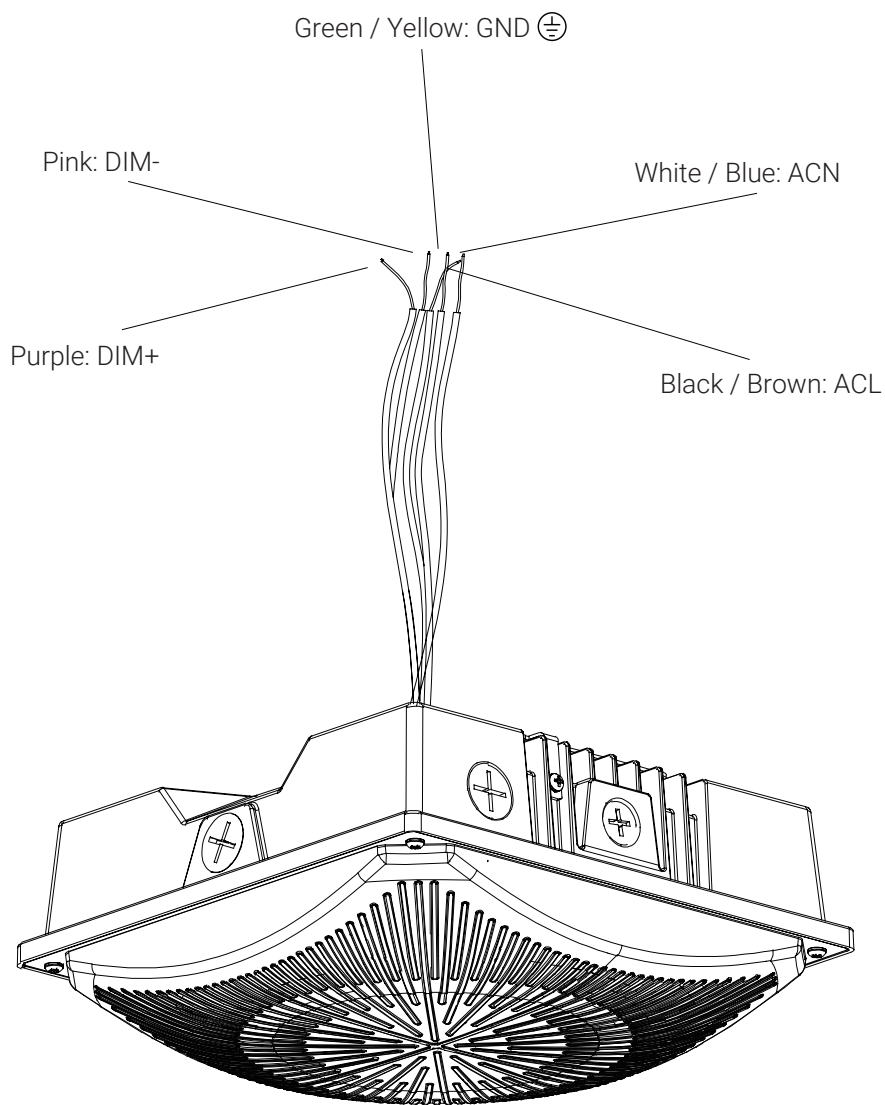
## WIRING

### Cautions

- Fixtures must be wired in accordance with the National Electrical Code (NEC) and all applicable local codes.
- Make sure power is off at the circuit breaker before installation or maintenance.
- Proper grounding is required to ensure safety.

### Notes

- Must use appropriate strain relief in accordance with local code when connecting power cord to junction box.

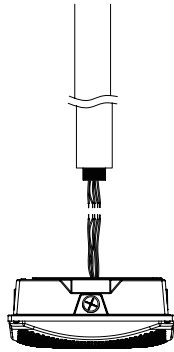


# INSTALLATION GUIDE

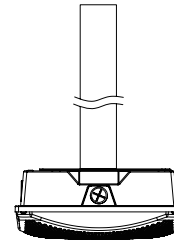
## Pendant Mounting (Stem 3/4" Conduit Installation)

1. Connect wires in the 3/4" NPT stem following wiring instructions on page 3.

- Black / Brown —○— ACL
- White / Blue —○— ACN
- Green / Yellow —○— GND 
- Purple —○— DIM+
- Pink —○— DIM-

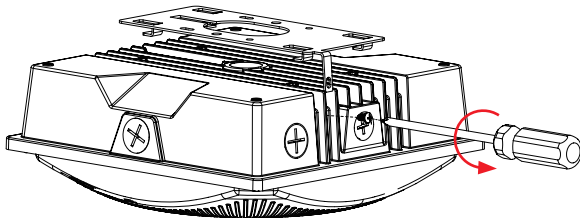


2. Screw the fixture to the 3/4" NPT stem.

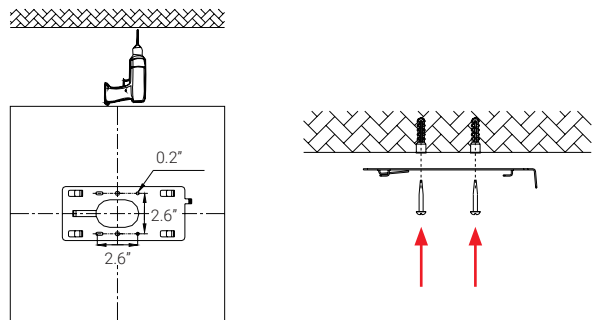


## Ceiling Installation

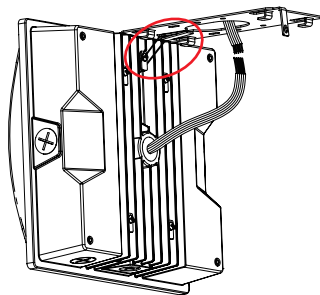
1. Remove the mounting plate from the fixture.



2. Drill holes on the ceiling to fit the mounting plate, then fix the plate with anchors and screws.



3. Hang the fixture by the plate as shown, then connect wires following wiring instructions on page 3.



4. Install the fixture to the plate, then fasten the screws on both sides of the fixture.

