

INSTALLATION INSTRUCTIONS

ACE LED AREA LIGHT (AA1)

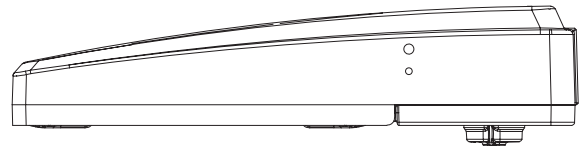
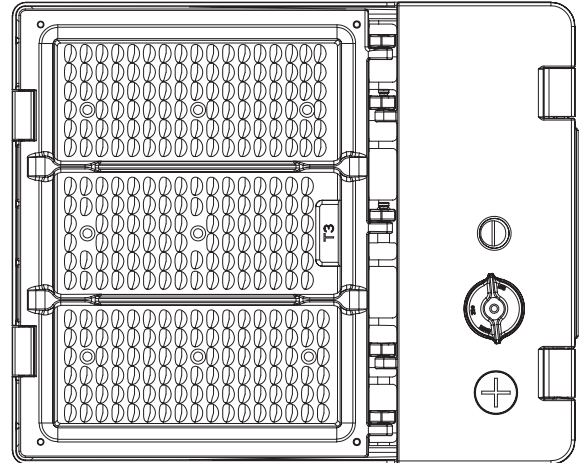
Fixtures must be installed and wired in accordance with the National Electrical Code (NEC) and all applicable local codes by a person familiar with the construction and operation of the product and hazards involved.

Proper grounding is required for safety.

Check that voltage is compatible with fixture driver, use approved connectors for all electrical connections.

Be cautious of any sharp edges. Wear proper PPE (personal protected equipment) while handling.

Fixture not suitable for use in corrosive environments, and with thermal insulation.



**READ CAREFULLY BEFORE INSTALLING THE FIXTURE.
PLEASE KEEP THIS MANUAL FOR FUTURE USE.**



WARNING

Risk of Fire or Electric Shock

Risk of fire or electric shock. Make sure power is off at the circuit breaker before installing or maintaining the product.

To prevent wiring damage or abrasion, do not expose wiring to edges of sheet metal or other sharp objects.

Installation guide requires knowledge of luminaire electrical systems. If not qualified, do not attempt installation. Contact a qualified electrician.

Never perform maintenance or cleaning while fixture is energized. Disconnect power and allow fixture to cool off before maintaining.



MAINTENANCE CAUTION

Review the diagrams before beginning and make sure the fixture is grounded properly.

For lighting controls, use driver wiring diagram.

Maintenance must be done by qualified electricians.

Use a clean, dry cloth to clean the fixture.

For any questions regarding wiring, installation, or use of this fixture, please call 559-485-6010 or email techsupport@linmoreled.com

TECHNICAL SPECS

Part No.	Watts (ADJ)	Size	CCT (ADJ)	CRI	Input Voltage	Dimmable	Warranty
AA10S-A2-ADJ-MD-ADJ-80-T3-LV-BRN-BB-Z10R-CW-SRG-10V	75 100 120 150	MD	3000K 4000K 5000K	≥80	AC 120-277V	0-10V	5 Years
AA10S-A2-ADJ-MD-ADJ-80-T3-HV-BRN-BB-Z10R-CW-SRG-10V	AC 220-480V						
AA10S-A2-ADJ-LG-ADJ-80-T3-LV-BRN-BB-Z10R-CW-SRG-10V	175 200 240 300	LG			AC 120-277V		
AA10S-A2-ADJ-LG-ADJ-80-T3-HV-BRN-BB-Z10R-CW-SRG-10V	AC 220-480V						

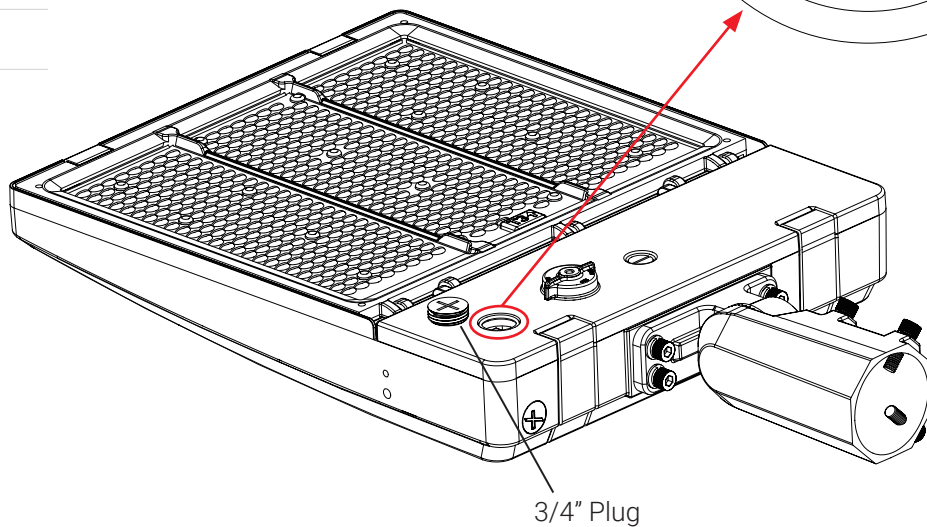
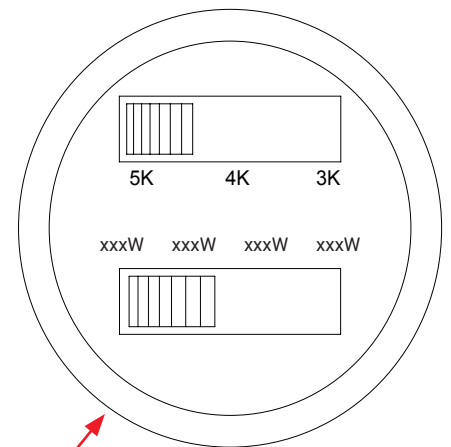
Adjusting Wattage and Color Temperature

Fixtures ship from the factory with the highest wattage and 5000K CCT, to change these settings:

1. Make sure the fixture is off.
2. Unscrew the 3/4" plug.
3. Adjust the corresponding dip switches to desired wattage and CCT.
4. Install and tighten the 3/4" plug.

Lumen Multipliers

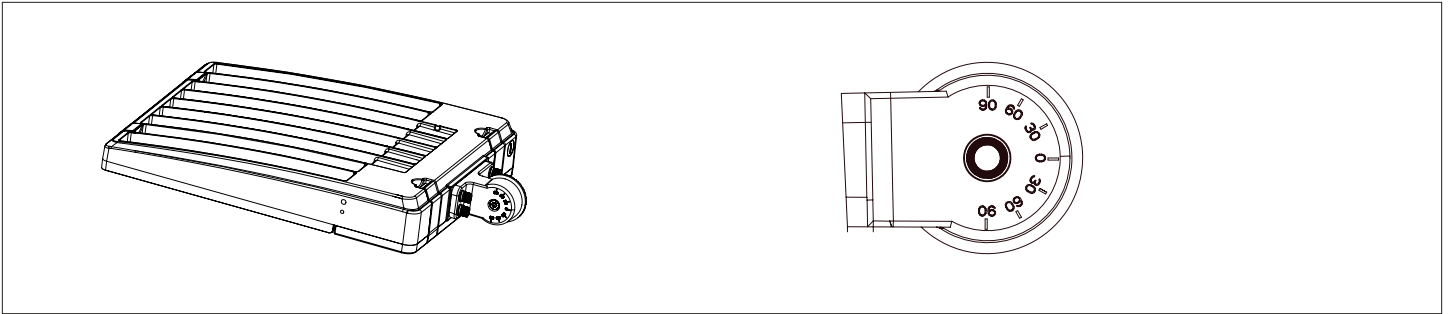
CCT	MULTIPLIER
3000K	0.933
4000K	1.000
5000K	0.967



MOUNTING

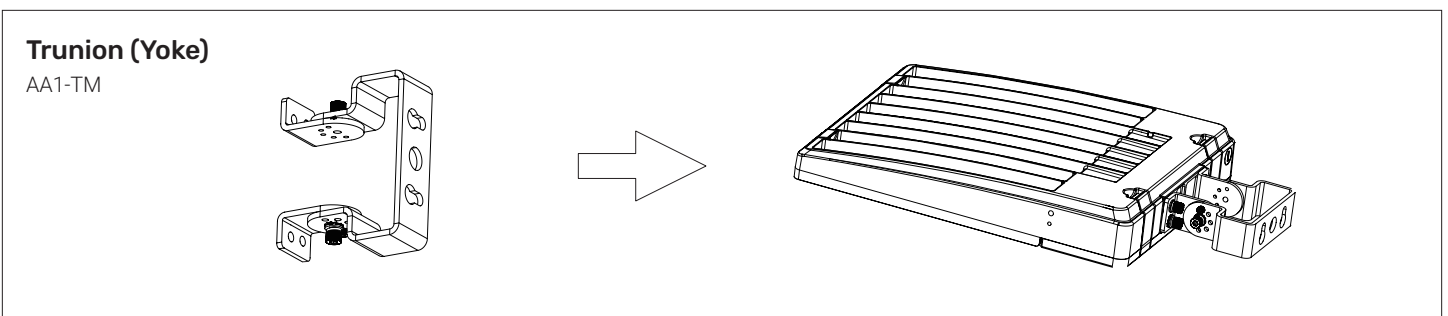
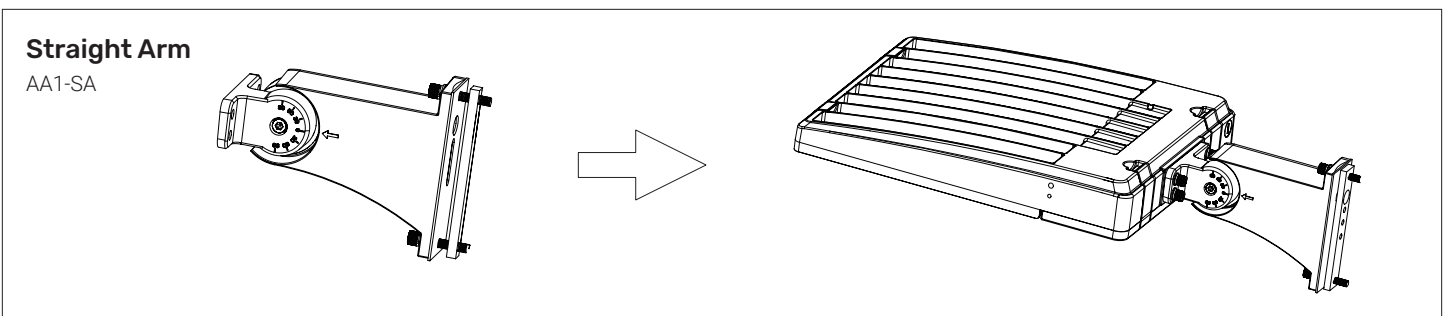
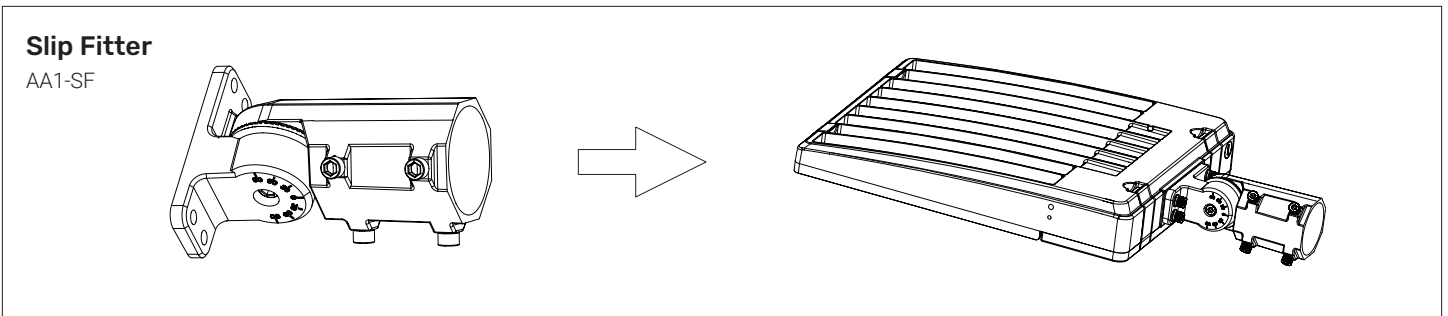
Bracket Base

The fixture ships with the Bracket Base attached to it. Mounting brackets can be attached to the base with just one screw.



Mounting Brackets

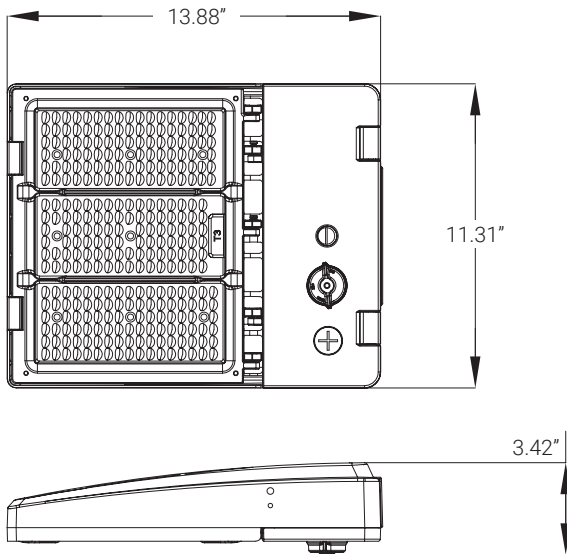
Mounting brackets are sold separately and are field installed.



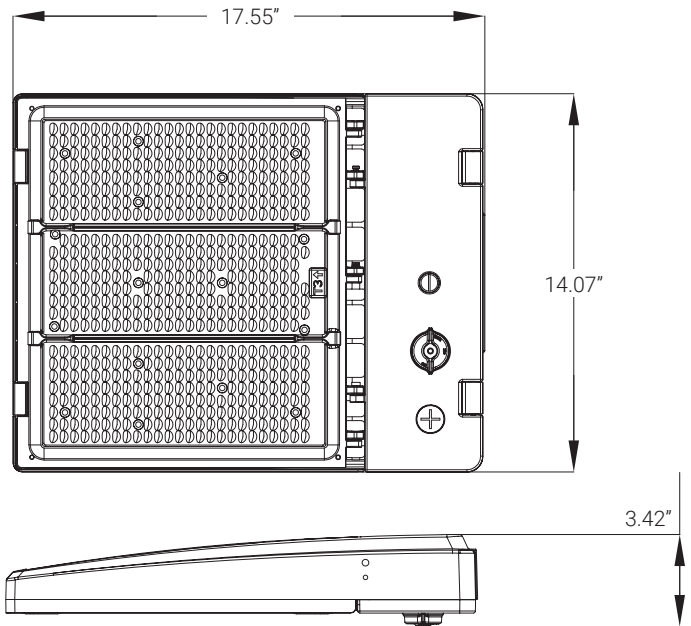
DIMENSIONS

Fixture Only

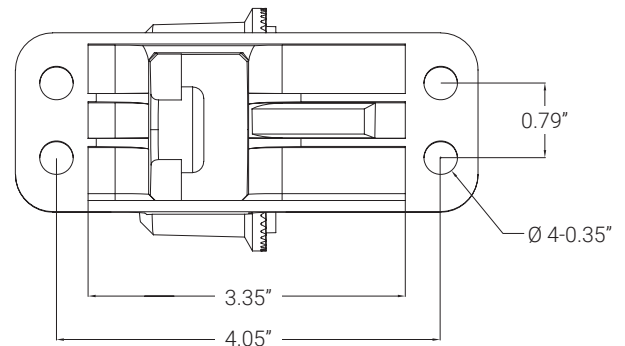
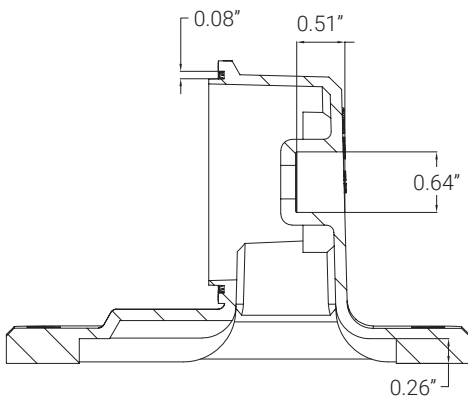
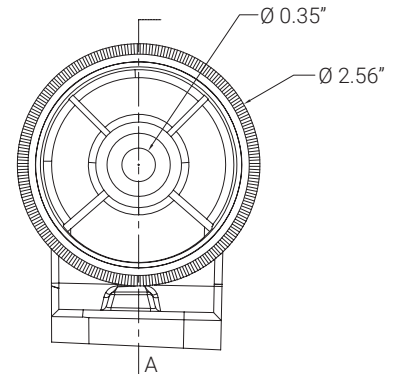
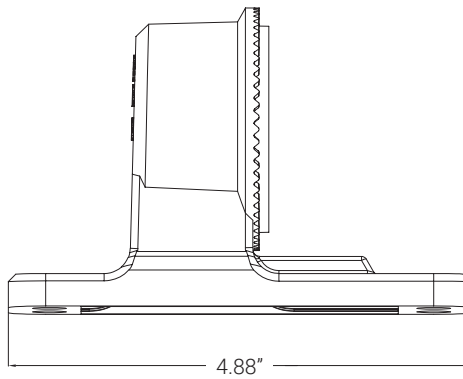
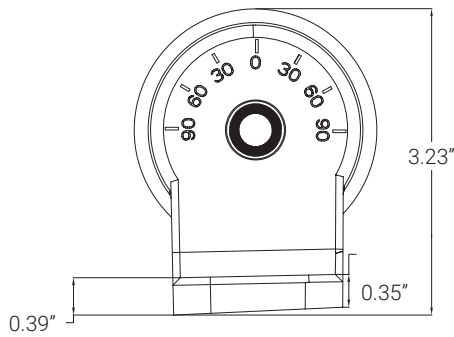
MD



LG



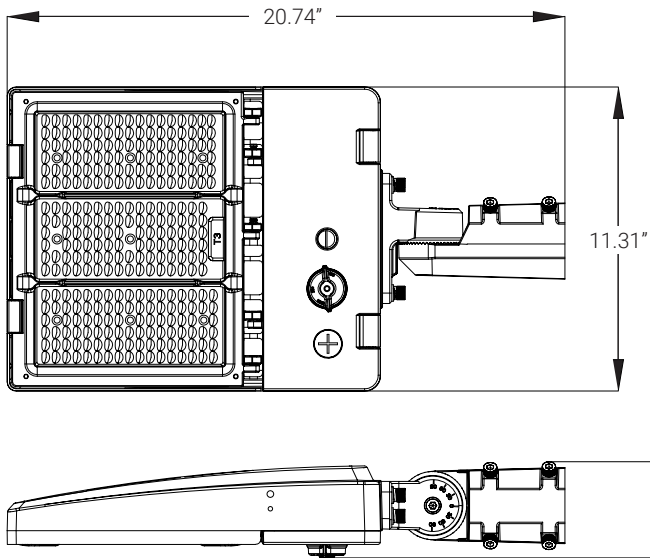
Bracket Base



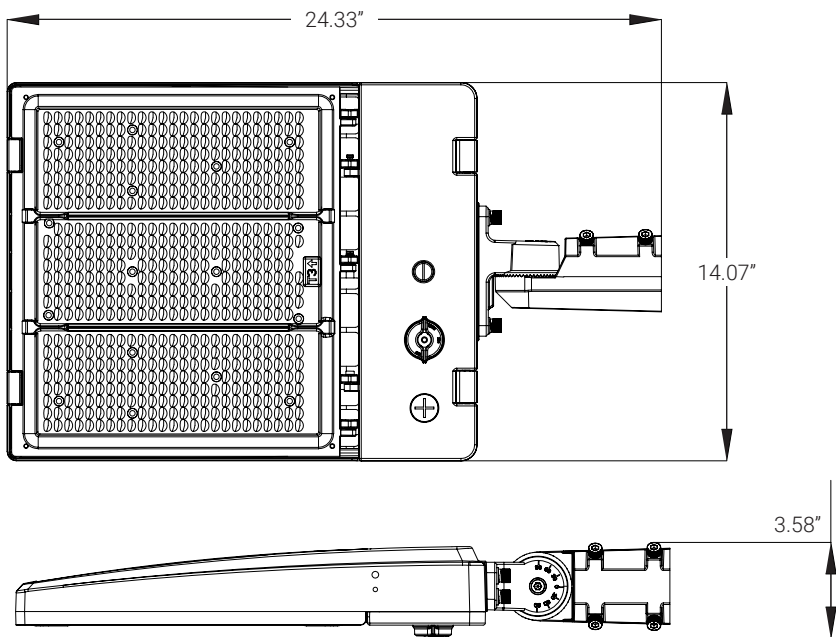
DIMENSIONS

Fixture with Slip Fitter

MD



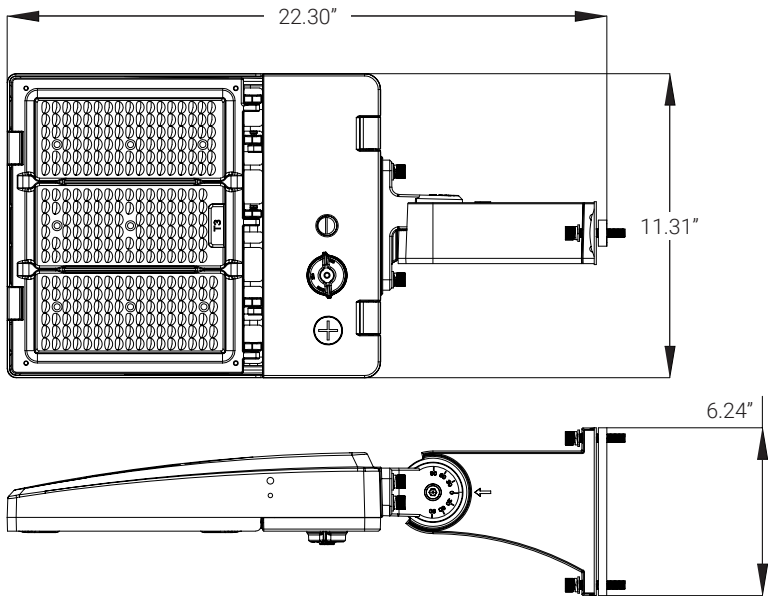
LG



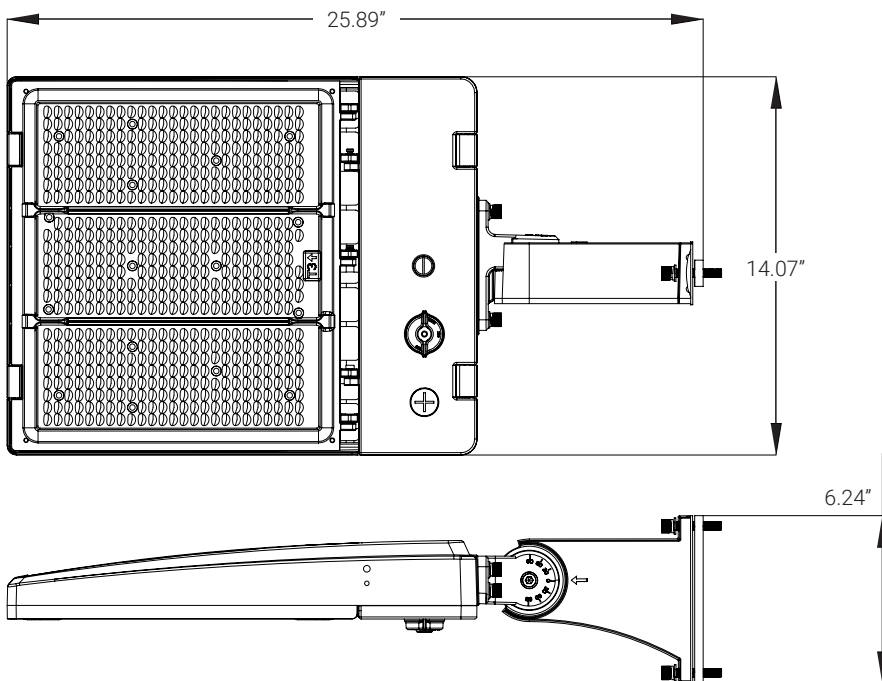
DIMENSIONS

Fixture with Straight Arm

MD



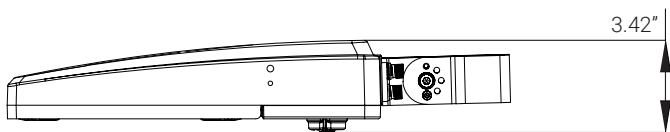
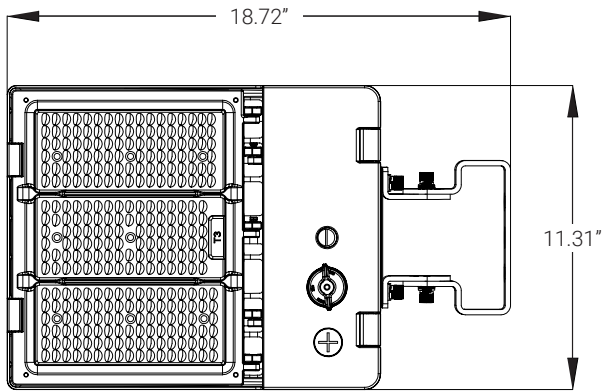
LG



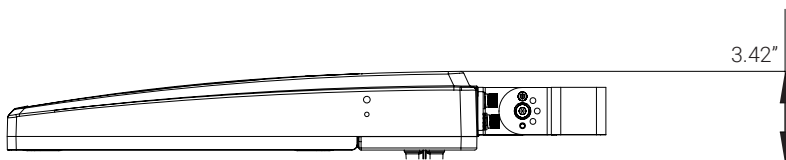
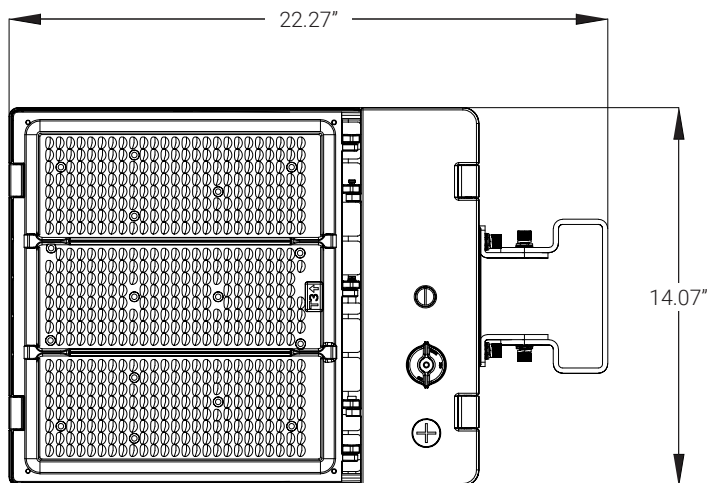
DIMENSIONS

Fixture with Trunnion (Yoke)

MD



LG



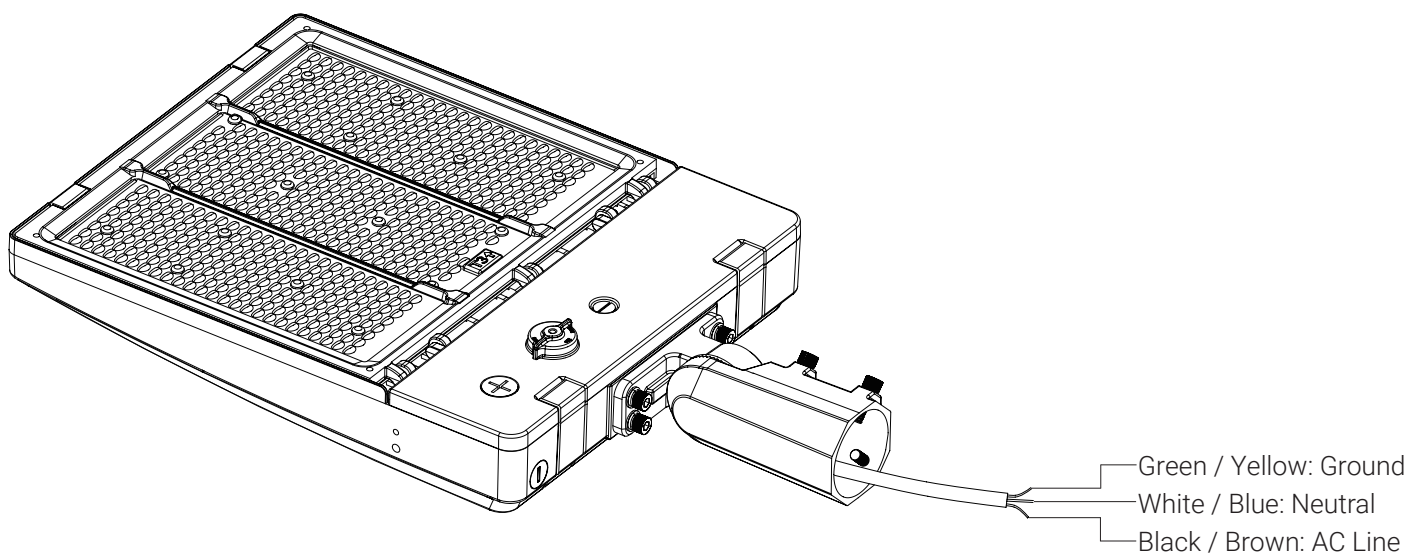
WIRING

Cautions

- Fixtures must be wired in accordance with the National Electrical Code (NEC) and all applicable local codes.
- Make sure power is off at the circuit breaker before installation or maintenance.
- Proper grounding is required to ensure safety.

Notes

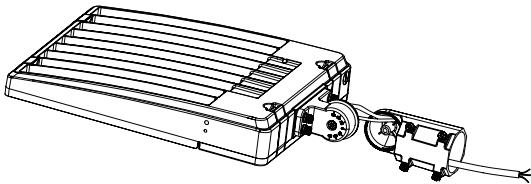
- Must use appropriate strain relief in accordance with local code when connecting power cord to junction box.



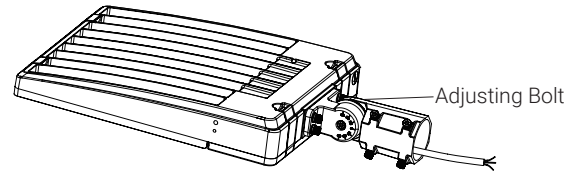
INSTALLATION

Slip Fitter

1. Pass the wires from the fixture through the Slip Fitter bracket.

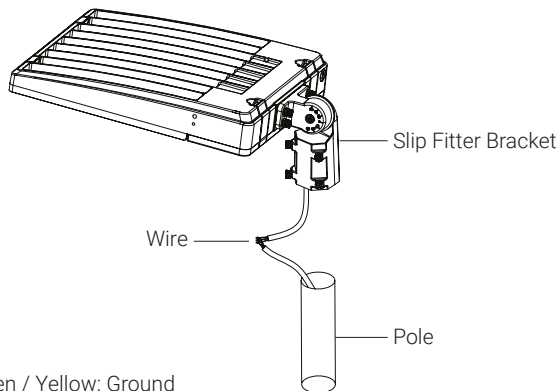


2. Install the Slip Fitter on the Bracket Base, tilt the fixture to the desired angle and tighten the adjusting bolt.



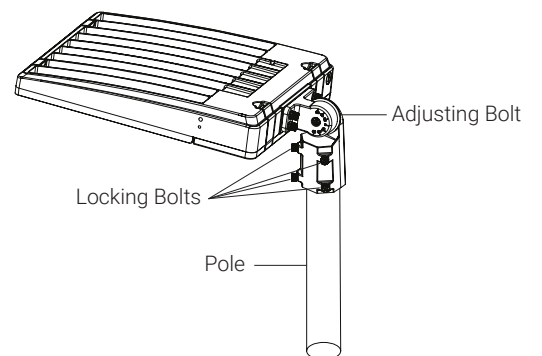
Note: Adjustable angle is 0° to ±90°.

3. Connect the wires as shown on the wiring diagram and place them into the pole.



Green / Yellow: Ground
 White / Blue: Neutral
 Black / Brown: AC Line

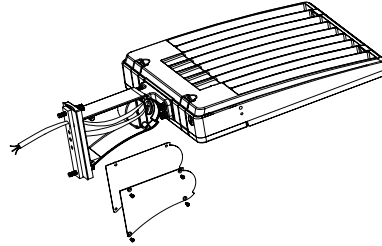
4. Loosen the four locking bolts and slide the Slip Fitter over the pole. Tighten the locking bolts to secure the fixture. Re-adjust angle if needed.



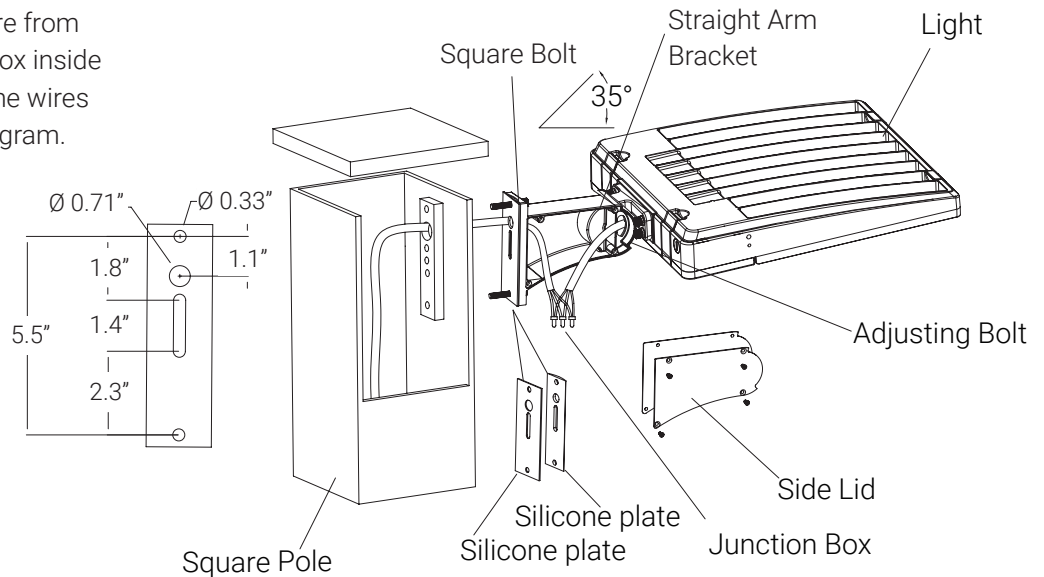
INSTALLATION

Straight Arm

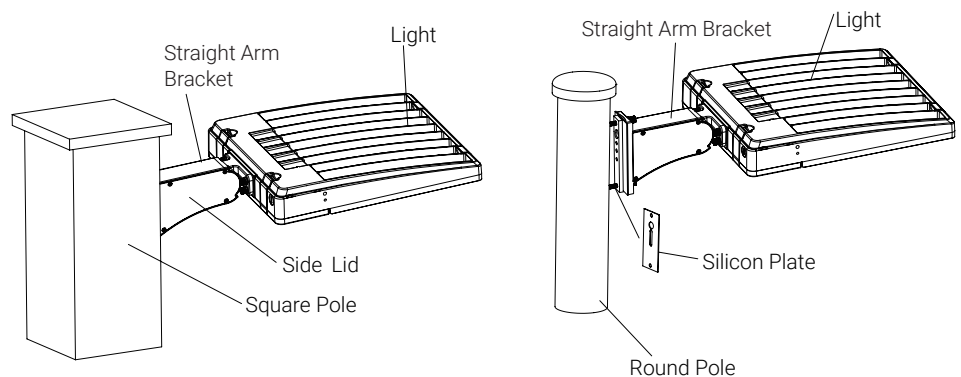
1. Remove the screw on the Bracket Base, open the side lid of the Straight Arm bracket and pass the wires through it.



2. Fix the Straight Arm bracket to the square bolt, pull the wire from the pole into the junction box inside the bracket, and connect the wires according to the wiring diagram.



3. Place the connected wires into the junction box inside the bracket and reinstall the side lid. Same as with square pole installation, remember to remove the silicon plate when installing the fixture in a round pole.

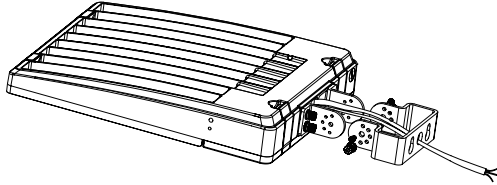


Note: Adjustable angle is 0° to 35°.

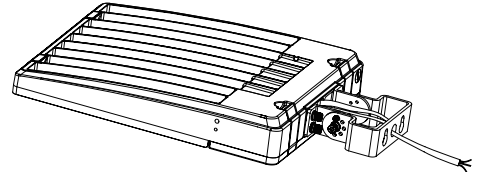
INSTALLATION

Trunnion (Yoke)

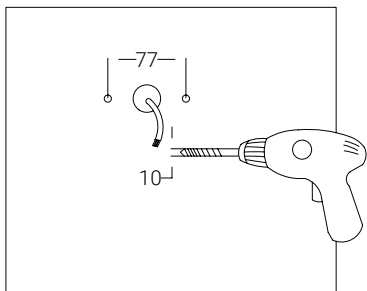
1. Remove the Bracket Base from the fixture by removing four screws. Install the Trunnion base and pass the wires through the bracket.



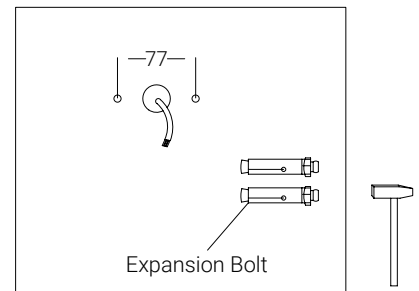
2. Install the bracket on the fixture.



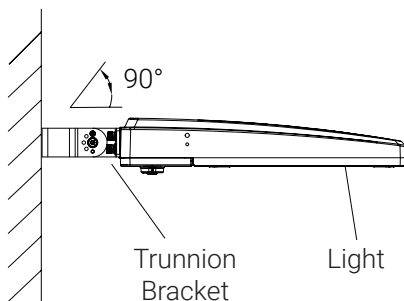
3. Drill holes on the wall as shown below.



4. Knock the expansion bolts in the wall.



5. Connect the fixture to the bracket and tighten the screws. Connect the wires properly and place them into junction box.



Note: Adjustable angle is 0° to 90°.

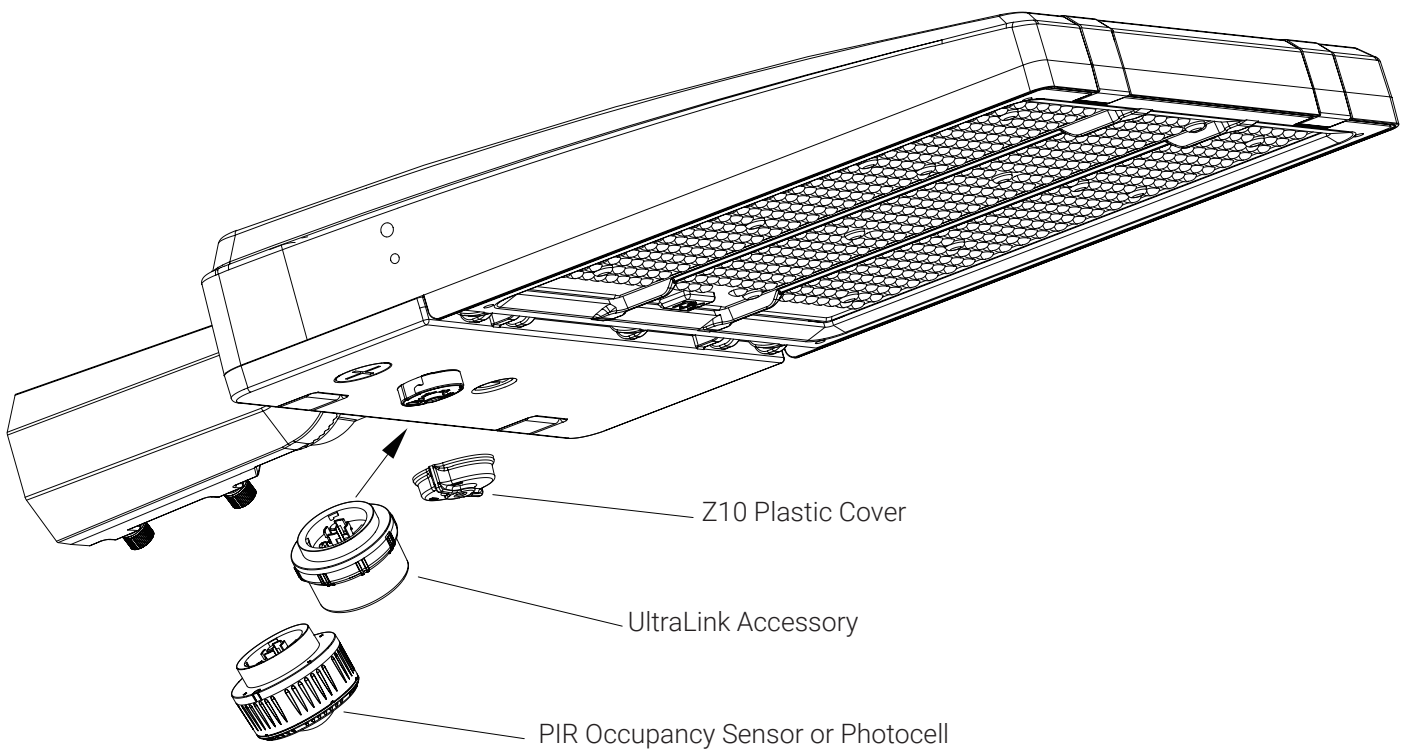
ACCESSORY INSTALLATION

Fixture Controls

The Ace LED Area Light can be upgraded with controls at any time after installation.

Just unscrew the Z10 receptacle cap and twist the Z10 Plug & Play accessory into the socket.

Different sensors and accessories are available for this fixture (see spec sheet for more information).



Note: The fixture can not be connected to an additional dimming device when equipped with a PIR occupancy sensor.