



PARKING GARAGE FIXTURE (PGF) INSTALLATION INSTRUCTIONS

These instructions do not purport to cover all details or variations in components nor to provide for every possible contingency to be met in connection with installation, operation, or maintenance. Should further information be desired or should a particular problem arise which is not covered sufficiently for the purchaser's purpose, the matter should be referred to Linmore LED Labs. Linmore does not claim liability for any installation not performed according to this guide or not by a qualified electrician.

IMPORTANT SAFEGUARDS

When using electrical equipment, basic safety precautions should always be followed including the following:

READ AND FOLLOW ALL SAFETY INSTRUCTIONS

1. **DANGER – RISK OF SHOCK – DISCONNECT POWER BEFORE INSTALLATION**
2. **WARNING** – Risk of fire or electric shock. LED Upgrade Kit installation requires knowledge of luminaires electrical systems. If not qualified, do not attempt installation. Product must be installed in accordance with NEC or your local electrical code. If you are not familiar with these codes and requirements, contact a qualified electrician.
3. **WARNING** – Risk of fire or electric shock. Luminaire wiring and electrical parts may be damaged when drilling for installation of the LED upgrade kit. Check for enclosed wiring and components.
4. **WARNING** – Risk of fire or electric shock. Check the existing wiring for damage before installing upgrade kit. Do not install if existing wires are damaged.
5. **WARNING** – To prevent wiring damage or abrasion, do not expose wires to the edge of sheet metal or any other sharp objects.
6. **WARNING** – Risk of fire or electric shock. Install this kit only in the luminaires that have the construction features and dimensions shown in the photographs and/or drawings.
7. The retrofit assembly is accepted as a component of a luminaire where the suitability of the combination shall be determined by UL or authorities having jurisdiction.
8. Only the holes indicated in the photographs or drawings may be made or altered as a result of the kit installation. Do not leave any other holes open in a wiring enclosure or electrical component.

SAVE THESE INSTRUCTIONS FOR FUTURE REFERENCE NOTES:

LIST OF SUPPLIED COMPONENTS:

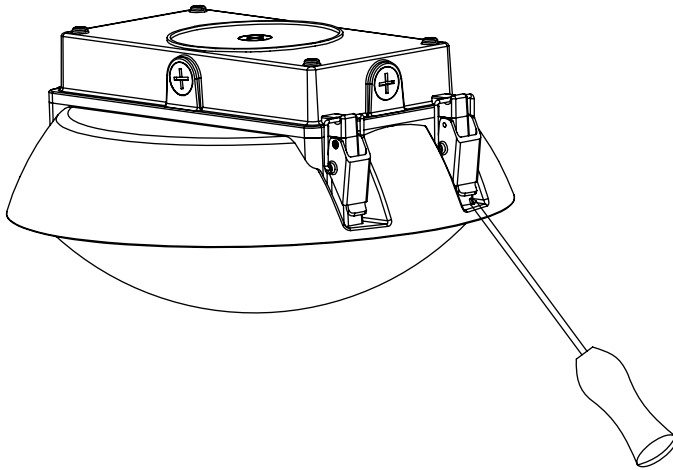
1. Complete Parking Garage Fixture

LIST OF ITEMS INSTALLER MAY HAVE TO SUPPLY:

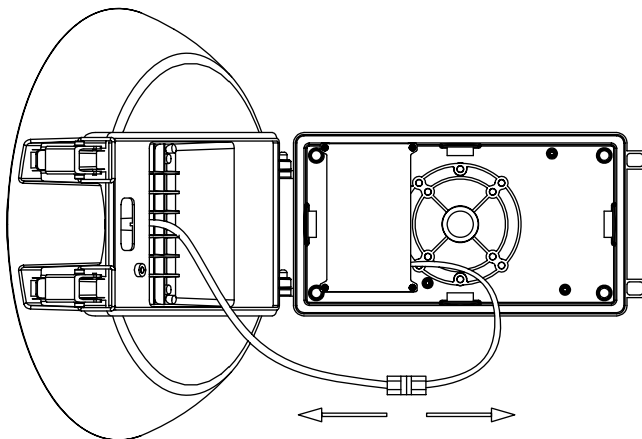
1. Screwdriver
2. Drill

NOTE: THE INSTRUCTIONS BELOW REFLECT THE STEPS NECESSARY FOR PARKING GARAGE LIGHT - SURFACE MOUNT OPTION

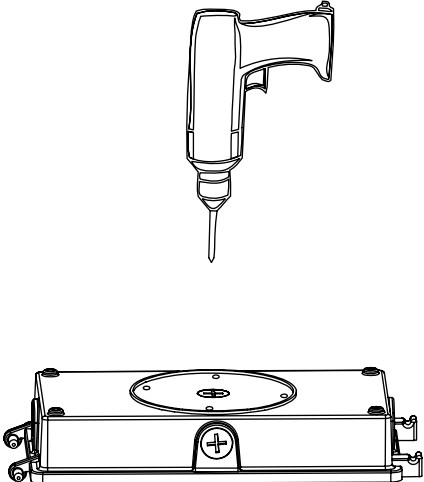
1. **Step 1:** Loosen the spring buckle with a screwdriver.



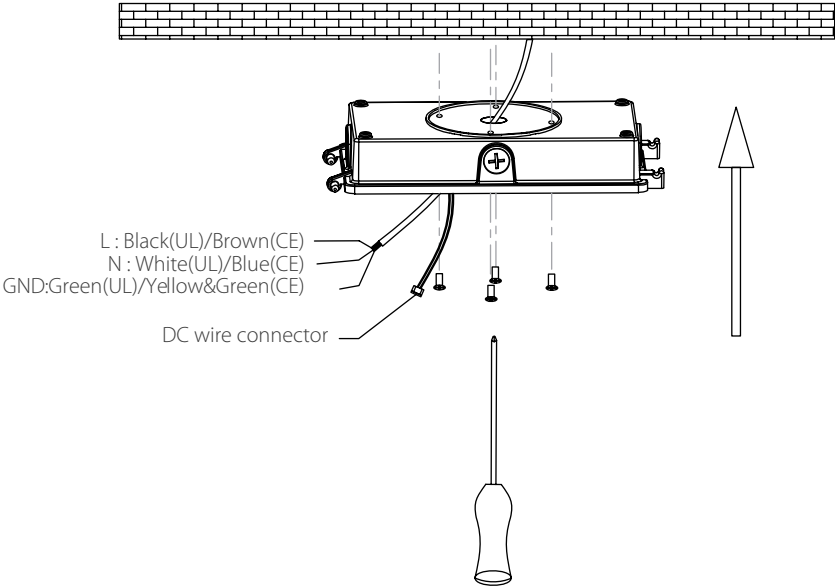
2. **Step 2:** Disconnect the male and female connectors, and then remove the fixture housing from the back plate.



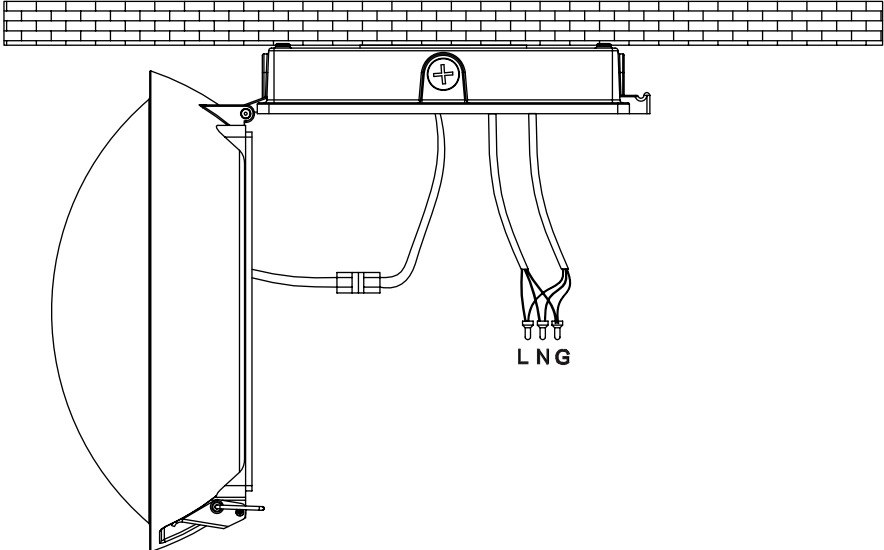
3. **Step 3:** Create four holes by knocking-out the four points.



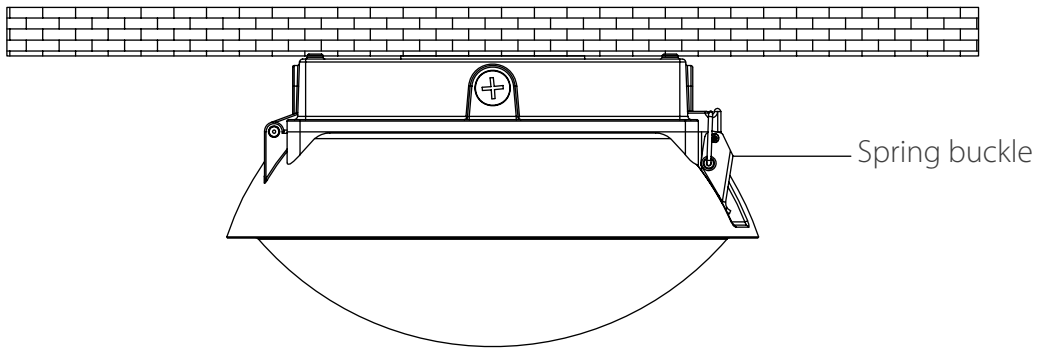
4. **Step 4:** Fixate the back plate to the wall or the junction box using four screws.



5. **Step 5:** Lock the fixture housing. Re-connect the DC male and female connectors. AC wire connections with wire nut.

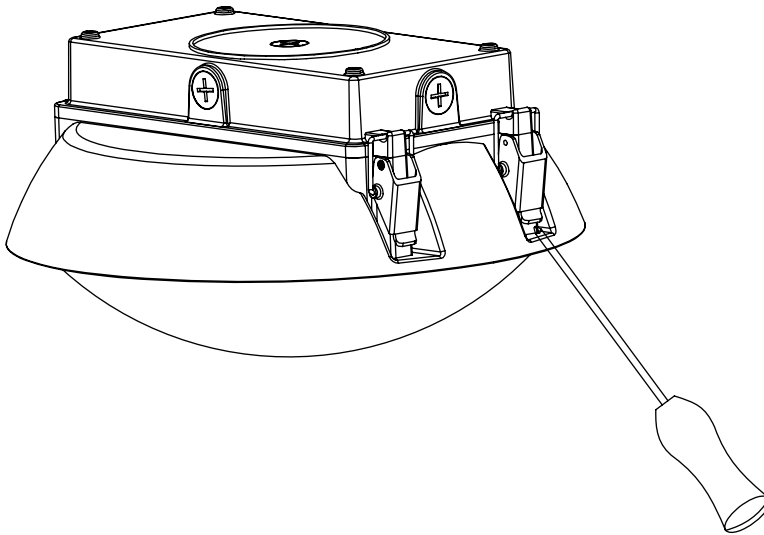


6. **Step 6:** Fixate the fixture housing to the back plate firmly with buckle. The installation is finished.

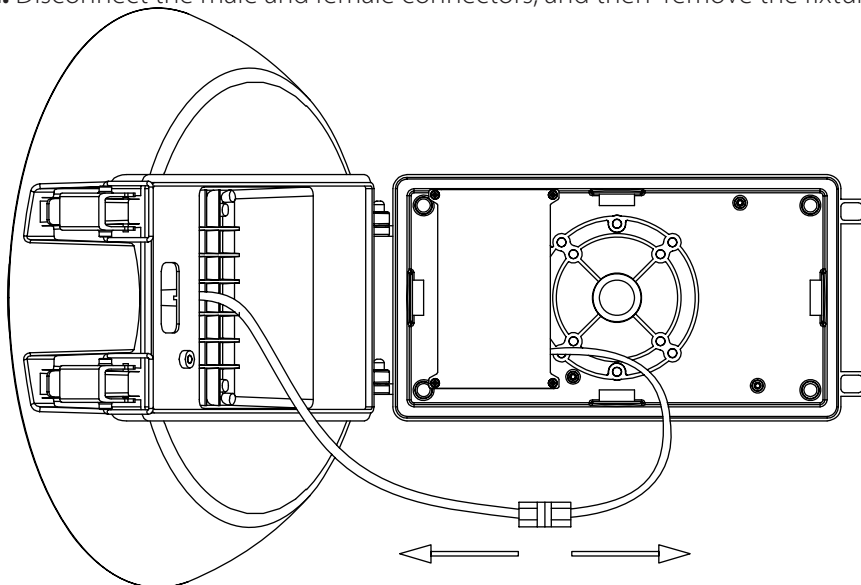


NOTE: THE INSTRUCTIONS BELOW REFLECT THE STEPS NECESSARY FOR PARKING GARAGE LIGHT - PENDANT MOUNT OPTION

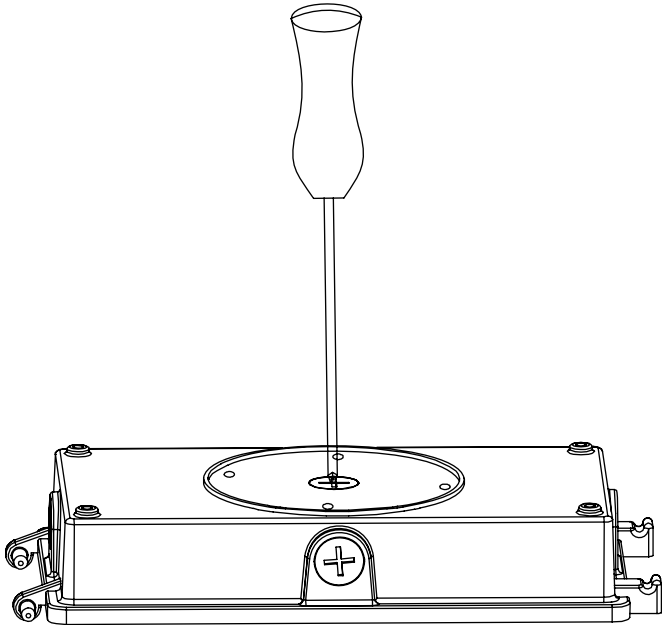
1. **Step 1:** Loosen the spring buckle with a screwdriver.



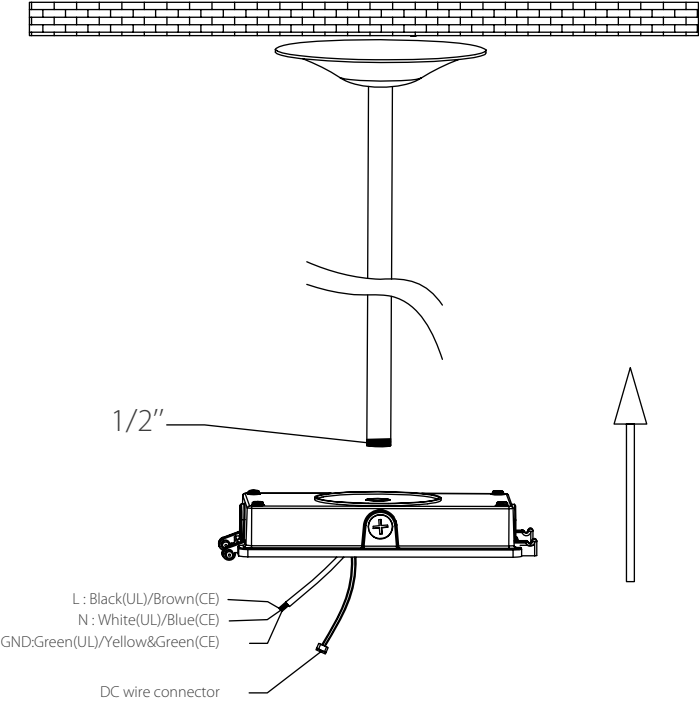
2. **Step 2:** Disconnect the male and female connectors, and then remove the fixture housing from the back plate.



3. **Step 3:** Remove the 1/2" screw on the back plate..



4. **Step 4:** Lock the back plate to the 1/2" threaded conduit pipe.



5. **Step 5:** Lock the fixture housing. Re-connect the DC male and female connectors. AC wire connections with wire nut.

6. **Step 6:** Fixate the fixture housing to the back plate firmly with buckle. The installation is finished.

