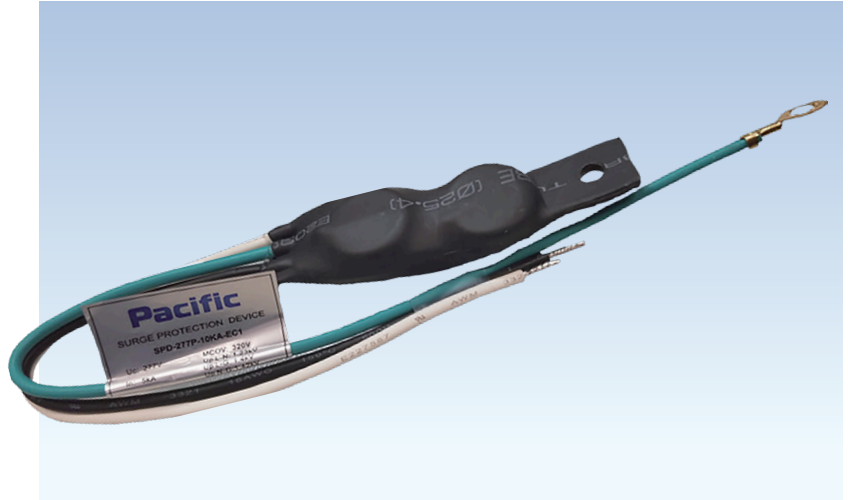




SURGE PROTECTOR DEVICE (SPD)

McWong's SPD series of surge protectors is designed to provide supplemental surge protection in LED luminaires. Though most LED drivers include basic surge protection, in many outdoor, industrial and commercial applications, SPD's provide an additional level of protection from dangerous power-line transients. These product line is suitable for indoor and outdoor and most commonly used in 24/7 outdoor applications such as street lighting, parking lots, pathway lighting, and LED signage.

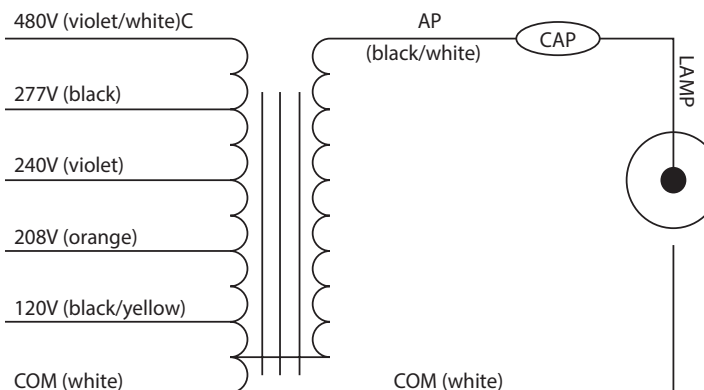
These devices protect Line-Neutral, Line-Ground and Neutral-Ground in accordance with IEEE/ANSI C62.41.2.



Specifications

Model Number	SPD-277P-20KA-EC1
Main Voltage	120-277VAC
Nominal Surge Current	10a
Max Surge Current	20a
MCOV	320VAC
Wiring	Parallel
Surge Location	Category C
Operating Temperature	-31°F to 185°F
Warranty	5 years
Certifications	UL 1449, IP67, ROHS

WIRING DIAGRAM



CONNECTION DIAGRAM

