

ULTRA PERFORMANCE VAPOR TIGHT LOW BAY (VTL)

Linmore LED Labs Ultra Performance Vapor Tight Low Bay (VTL) combines the innovation of Linmore URS Light Bars with a vapor tight enclosure. The patent pending URS Low Bay Light Bar System is comprised of the highest efficacy LEDs mechanically bonded to an extruded aluminum light bar with a high-tech diffuser creating a 240 degree beam angle. The amount of light and the consistent distribution of light per watt of energy consumed is unmatched by any other sealed low bay. When the objective is to utilize a low bay lighting system that repels the elements with the least amount of energy and maintenance, and get an industry leading 10 year warranty, the Linmore VTL is the clear choice.



HIGHLIGHTS

Efficacy:

- >140 Lumens per Watt
- Only High Quality LEDs used to ensure maximum light output and longevity
- Lowest Watts per Foot Candles Available

Construction:

- IP 67 rated Enclosure
- Clear Acrylic Lens, Impact Resistant
- URS Light Bar- Extruded Aluminum
- LED Driver Enclosure
- Stainless Steel Hardware
- No Glass

Thermal Dissipation:

- The URS heat sink extrusion is made of 6063 T5 Aluminum with substantial fins & surface area for superior heat dissipation
- Patent pending Air Flow Cavity
- Interior PCB Board is mechanically bonded to the aluminum extrusion heat sink

Ease of Ownership:

- 10 Year Warranty on URS Light Bar, 5 Year on Driver
- Adaptive: Add or Remove Light Bars as light level requirements change

Electrical:

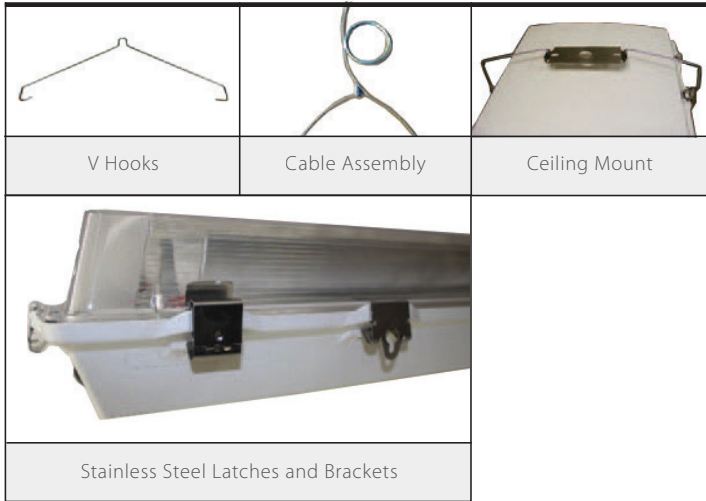
- Optional: Integral Surge Suppression 20KA
- 0-10V Dimming Driver
- Aluminum Driver Casement
- 6' SO Cord Included

Controls:

- Optional: Wireless modules- EnOcean, or other compatible systems
- Occupancy Sensors- Wet Rated

ULTRA PERFORMANCE VAPOR TIGHT LOW BAY (VTL)

Installation Methods



Lumen Output

Wattage	Lumens
72	10,080
88	12,320
110	15,400
132	18,480
176	24,640

Ordering Information

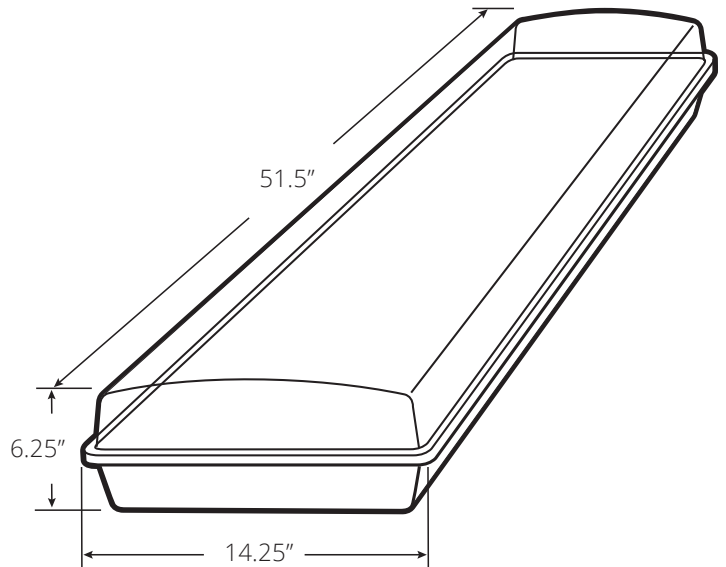
Model	Kelvin	Number of Bars	Wattage	SO Cord Length
LL-VTL	3500 (35K)	2,3 or 4	72W	6
	4100 (41K)		88W	
	5000 (50K)		110W	
			132W	
			176W	

Example

LL-VTL-XXK-2-72W-6

Specifications

Suitability	Washdown and Wet locations IP67
Warranty	10 Years: Light Bars, 5 Years: Drivers
Expected Life	>102,000 L90
Driver	Dimmable 0-10V, comes with 12V output compatible with most wireless controls
System Wattages	72W, 88W, 110W, 132W, 176W
Efficacy	>140 Lumens Per Watt
Voltage	100-277V 347/480 Optional
Lens	Clear
Color Rendering Index (CRI)	>80
Color Temperature	3500K, 4100K or 5000K
Operating Temperature	-40F to +140F
Power factor	0.99
Certifications	UL, RoHS



Specifications are Subject to Change.