



Project Name:	
Application:	
Date:	



ELIMINATOR HIGH BAY (EHB)

Linmore LED Labs Eliminator High Bay (EHB) is a powerful package of aluminum light bars, high efficacy LEDs, and optics options. With efficacy over 170 lumens per watt, maximum energy savings will be achieved. For warehouse aisles, a specific optic option has been developed for maximum punch. The all-aluminum constructed light bars will keep the LEDs running cool for longevity. When the objective is to balance out everything that is important in a high bay from cost to performance, the Linmore Eliminator High Bay (EHB) is the clear choice.

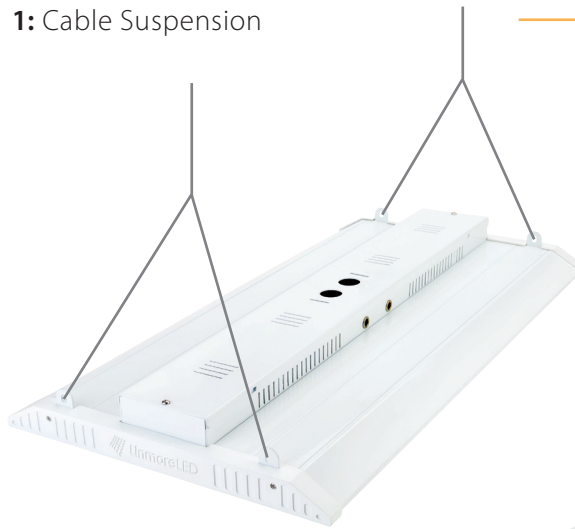


HIGHLIGHTS

- Efficacy >170 Lumens Per Watt
- L70 >122,000 Hours
- Aluminum Extruded Bars For Maximum Longevity
- 0-10V Dimming Driver
- Clear and Aisle Lenses Available
- 10 Year Warranty
- Cable Suspension or Pendant Mount Options Available

INSTALLATION METHODS

1: Cable Suspension



2: Pendant Mount



ELIMINATOR HIGH BAY (EHB)

Reliability Assurance Testing:

- Every LED Strip is vibrated at variable frequencies for 5 minutes
- Every LED Strip is operated for a 36 hour period
- Every LED Strip is cycled on/off every minute for 36 hours
- Every Fixture is tested prior to shipping

Efficacy:

- Only Top Tier Diodes are used for ultra high lumens per watt

Thermal Dissipation:

- Every LED strip is secured to an Aluminum Extrusion to aid in Thermal Transfer
- LEDs are populated onto an Aluminum core board creating a steady flow of heat into the Aluminum Bar

Lumen Output

Wattage	Lumens
75	12,788
100	16,829
150	25,569
200	33,657
300	51,137

*Based on 5000K

Specifications:

Suitability	Dry or damp Locations
Warranty	10 Years: LEDs, 5 Years: Driver
Expected Life	>122,000 L70
Driver	Dimmable 0-10V, comes with 12V output compatible with most wireless controls. Emergency Battery Backup Driver Available.
System Wattages	2' - 75W, 100W & 150W 4' - 200W & 300W
Efficacy	>170 Lumens Per Watt
Voltage	100-277V, optional 347/480V
Lens Options	Clear and Aisle
Color Rendering Index (CRI)	>70
Color Temperature	3500K, 4100K or 5000K
Operating Temperature	-40F to +140F
Power factor	0.99
Certifications	DLC Premium*, UL, RoHS, cUL FCC CFR 47 Part 15B

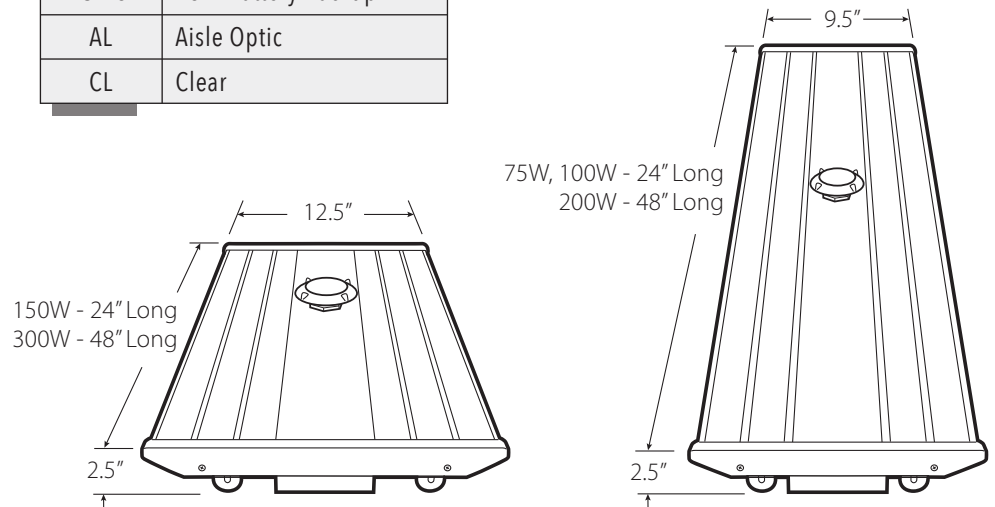
*refer to the DLC QPL for current listings

Ordering Information

Model	Kelvin	Size	Wattage	Options	
LL-EHB	3500 (35K)	2'	75W, 100W, 150W	LEDD	Enocean Wireless Module
	4100 (41K)	4'	200W, 300W	SEN	FSP111, 211
	5000 (50K)			BBU-25W	25W Battery Backup
				AL	Aisle Optic
				CL	Clear

Example

LL-EHB-35K-2-75W-SEN



Specifications are Subject to Change.