

## LED LAMP EMERGENCY BACKUP

The LED Emergency Backup from Linmore LED Labs is a UL Recognized LED Emergency Backup that allows the same LED fixture to be used for both normal and emergency operations. In the event of a power failure, the Emergency backup switches to the emergency mode and operates the existing fixture for 90 minutes. The unit contains a battery, charger, and converter circuit in a single can and is available in different mounting configurations for individual fixture requirements.

### FEATURES

- Long life high temperature recyclable Ni-Cad battery.
- Includes test switch and charge indicator accessory kit.
- For use with switched or unswitched fixtures.
- Meets or exceeds all National Electrical Code and Life Safety Code Emergency Lighting.



### DIMENSIONS



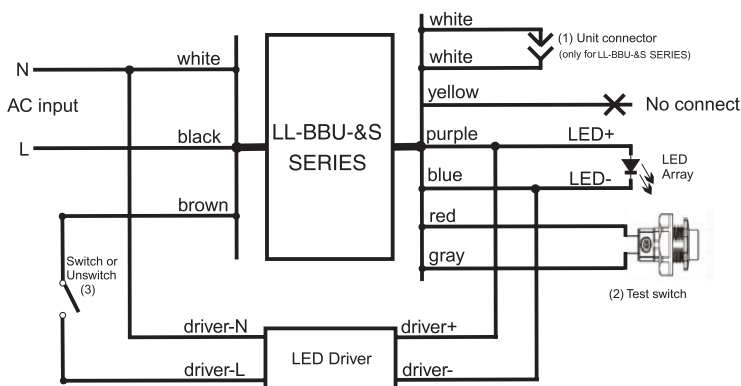
Model	0848	2548
A	2.125"	2.125"
B	1.375"	1.75"
C	14.438"	17"

### TECHNICAL SPECIFICATIONS

Input Voltage	100-277VAC, 50/60Hz		
Input Current	35mA max		
Input Power	4 Watts		
Output Voltage	12V-48VDC	18V-48VDC	
Max. Connected Load	0.67 A	1 A	
Output Power	8 Watts	25 Watts	
Emergency Operation	>90 minutes		
Battery	High Temp Nickel-Cadmium 24 Hour Recharge 7-10 Year Life Expectancy		
Ambient Temperature	Up to 122 F		
Warranty	5 years		
Certifications	UL 1598, FCC CFR 47 Part 15, Class B, ROHS, CUL Canada		

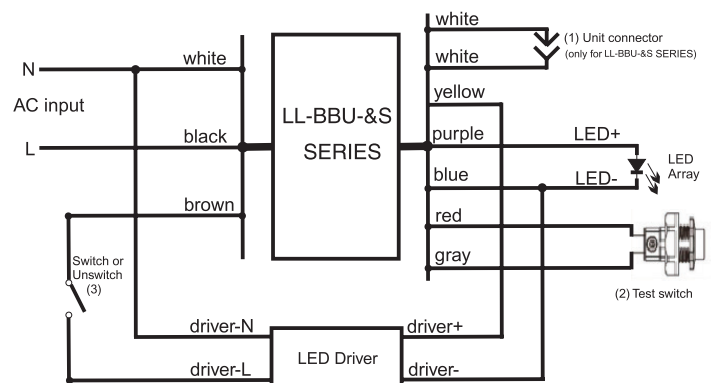
### WIRING DIAGRAM 1

(When the driver of the LED luminaires is over 70W)



### WIRING DIAGRAM 2

(When the driver of the LED luminaires is less than 70W)



Note: Make sure the necessary branch circuit wiring is available. An unswitched source of power is required.