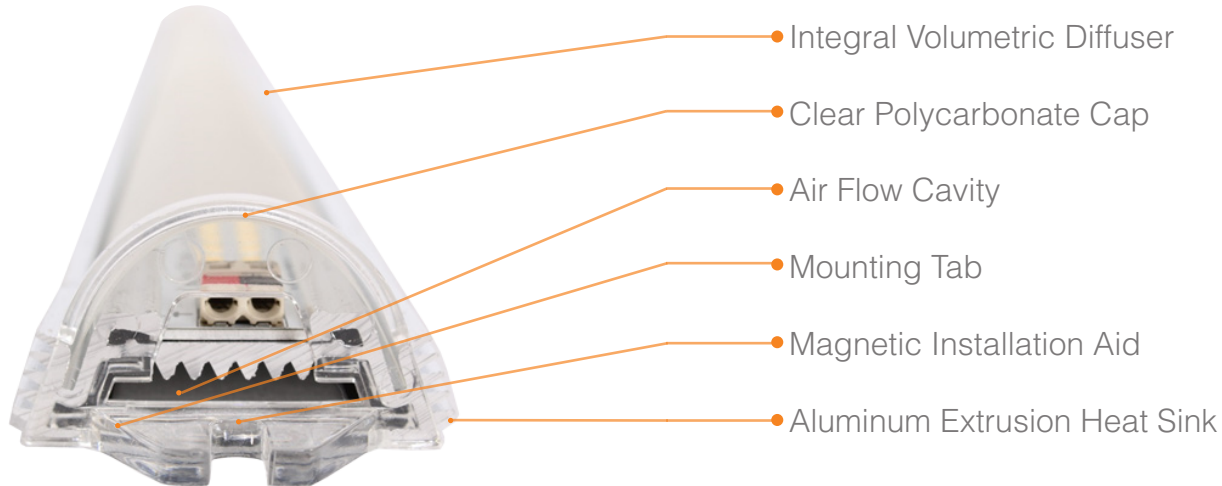


LED UNIVERSAL RETROFIT SYSTEM (PATENTS PENDING)

Linmore LED Labs Universal Retrofit System (URS) is the ultimate retrofit system for a variety of linear fluorescent light fixtures. Each URS is comprised of a patent pending aluminum extrusion, a high-efficacy set of LEDs, and an external dimmable driver. The URS is offered in two nominal lengths, 2' & 4', to retrofit the most popular installed housing. When the objective is to extend the useful life of installed fixtures while upgrading to LED with a robust, complete retrofit system with components that exceed those found in LED Tubes, Linmore's URS is the clear choice.



HIGHLIGHTS

- Efficacy up to 152 Lumens/Watt Delivered
- 0-10 Volt Multi-Channel Dimming External Driver
- Aluminum Heat Sink/Extrusion
- Integral Volumetric Diffuser
- Clear Polycarbonate End Caps
- No Glass
- 240 Degree Light Distribution
- 10 Year Warranty Complete System
- No Mercury
- No UV Light

RELIABILITY ASSURANCE TESTING

- Every URS is vibrated at variable frequencies for 5 minutes
- Every URS & Driver is operated for a 36 hour break in period
- Every URS & Driver is cycled on/off every minute for 36 hours

APPLICATIONS

- Troffers
- Strips
- Case Lighting
- Indirect Lighting
- Vapor Tights
- Low Bays

DLC LISTED CONFIGURATIONS

2' URS Kits

2 Bar Kits: 18, 22, 26 Watts

3 Bar Kits: 22, 26 Watts

4' URS Kits

1 Bar Kits: 15, 18, 22, 26, 36 Watts

2 Bar Kits: 22, 26, 36, 44, 60, 72 Watts

3 Bar Kits: 44 Watts

8' URS Kits

2 Bar Kits: 36, 44 Watts

URS is DLC listed as a Linear Ambient fixture and Retrofit Kit. Please refer to the DLC QPL for the specific listing.



LED UNIVERSAL RETROFIT SYSTEM (PATENTS PENDING)

EFFICACY

- Only top tier performance diodes for ultra-high Lumens/Watt
- Lowest Watts per Foot Candles Available
- 288 LEDs (4' URS) or 144 LEDs (2' URS) for superior consistency of light along entire URS

THERMAL DISSIPATION

- The heat sink extrusion is made of 6063 T5 Aluminum with substantial fins & surface area for superior heat dissipation
- Patent pending Air Flow Cavity under LED PCB allows dissipated heat to leave the URS area
- Interior PCB Board is made of aluminum core and mechanically bonded to the aluminum extrusion heat sink

OPTICS

- Integral Volumetric Diffuser eliminates glare and evenly distributes light
- Integral Volumetric Diffuser transmits 94% of generated lumens
- Suitable for most food processing applications
- The beam angle is 240 degrees for a wide distribution of light
- Glass Free

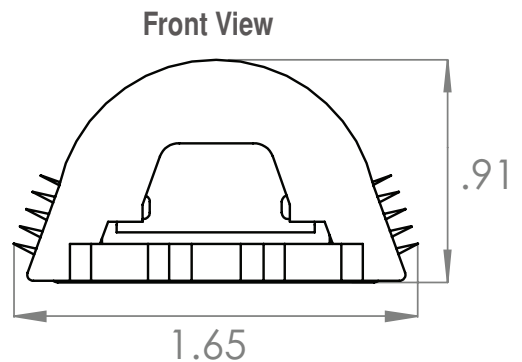
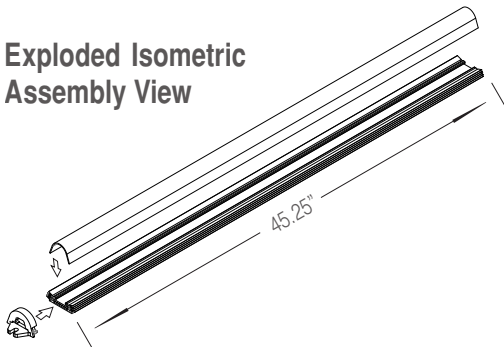
SPECIFICATIONS

Suitability	T5 or T8 Linear Fluor Fixtures
Warranty	10 Years Complete System
Expected Life	> 88,000 Hours
Driver	External, 0-10 Volt Dimmable
System Input Wattage (driver dependant)	9-88 Watts
Length	21.25" or 45.25"(including cap tab)
Efficacy (3500K)	131-152 Lumens/Watt (+/- 10%)
Voltage	100-277 Volts AC
Beam Angle	240
Integral Volumetric Diffuser	Frosted, 94% Transmission Rate
Color Rendering Index (CRI)	82
Color Temperature	3500K, 4100K, or 5000K
Extrusion Material	6063 T5 Aluminum
Operating Temperature	-40F - 140F
Power Factor	0.99
Total Harmonic Distortion (THD)	< 9% (277 Volt)
Certifications	UL1598, Lighting Facts FCC CFR 47 Part 15, ROHS CUL (Canada)
Design Lights Consortium	Linear Ambient fixture and Retrofit Kit.

ORDERING INFORMATION: UNIVERSAL RETROFIT SYSTEM (URS)

Product Series	URS Length	# Of URS Bars	Color Temp.	System Input Power	Approx. Lumens/System
LL-URS-___-___-K-___					
EXAMPLE: LL-URS-4NA-4-50K-26	2NA-2'	1	35K-3500	9	1368
	4NA-4'	2	41K-4100	12	1824
	4NA-8'	3	50K-5000	15	2280
		4		18	2736
				22	3344
				26	3848
				30	4440
				36	5220
				44	6204
				60	8400
				72	10080
				88	12320

Exploded Isometric Assembly View



Choices in Length

